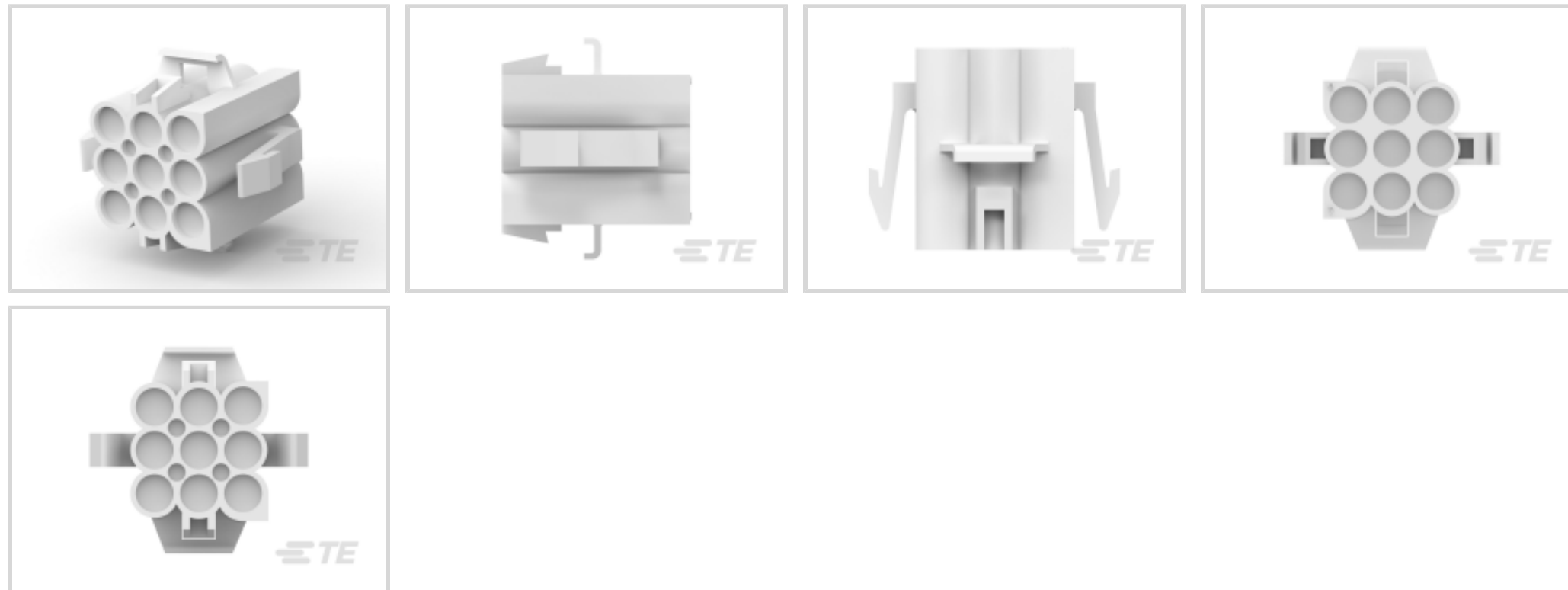




Connectors > Rectangular Connectors > Rectangular Connector Housings



Connector System: **Wire-to-Wire**

Number of Positions: **9**

Centerline (Pitch): **6.1 mm [ .24 in ]**

Number of Rows: **3**

Housing Material: **Nylon GF**

### Features

#### Product Type Features

Connector System	Wire-to-Wire
Connector & Housing Type	Plug
Sealable	No
Connector & Contact Terminates To	Wire & Cable

#### Configuration Features

Number of Positions	9
Number of Rows	3

#### Electrical Characteristics

Operating Voltage	250 VAC
-------------------	---------

#### Contact Features

Contact Layout	Matrix
Contact Type	Socket

#### Mechanical Attachment

Connector Mounting Type	Panel Mount
-------------------------	-------------

#### Housing Features

Housing Color	Natural
Centerline (Pitch)	6.1 mm[.24 in]
Housing Material	Nylon GF

### Dimensions

Connector Height	28.32 mm
Product Length	24.1 mm
Row-to-Row Spacing	3.1 mm[.24 in]

### Usage Conditions

Operating Temperature Range	-55 – 105 °C[-67 – 221 °F]
-----------------------------	----------------------------

### Operation/Application

Circuit Application	Power
---------------------	-------

### Identification Marking

Circuit Identification Feature	With
--------------------------------	------

### Industry Standards

Compatible With Agency/Standards Products	UL
Compatible With Approved Standards Products	UL E28476
UL Flammability Rating	UL 94V-2

### Packaging Features

Packaging Quantity	1400
Packaging Method	Box

### Product Compliance

[For compliance documentation, visit the product page on TE.com>](#)

EU RoHS Directive 2011/65/EU	Compliant
EU ELV Directive 2000/53/EC	Compliant
China RoHS 2 Directive MIIT Order No 32, 2016	No Restricted Materials Above Threshold
EU REACH Regulation (EC) No. 1907/2006	Current ECHA Candidate List: JUNE 2024 (241) Candidate List Declared Against: JUNE 2023 (235) Does not contain REACH SVHC
Halogen Content	Low Halogen - Br, Cl, F, I < 900 ppm per homogenous material. Also BFR/CFR/PVC Free


Solder Process Capability

Not reviewed for solder process capability

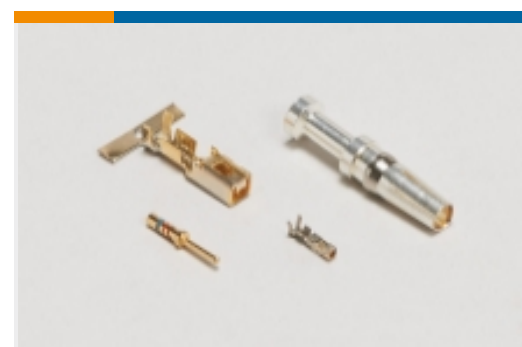
Product Compliance Disclaimer

This information is provided based on reasonable inquiry of our suppliers and represents our current actual knowledge based on the information they provided. This information is subject to change. The part numbers that TE has identified as EU RoHS compliant have a maximum concentration of 0.1% by weight in homogenous materials for lead, hexavalent chromium, mercury, PBB, PBDE, DBP, BBP, DEHP, DIBP, and 0.01% for cadmium, or qualify for an exemption to these limits as defined in the Annexes of Directive 2011/65/EU (RoHS2). Finished electrical and electronic equipment products will be CE marked as required by Directive 2011/65/EU. Components may not be CE marked. Additionally, the part numbers that TE has identified as EU ELV compliant have a maximum concentration of 0.1% by weight in homogenous materials for lead, hexavalent chromium, and mercury, and 0.01% for cadmium, or qualify for an exemption to these limits as defined in the Annexes of Directive 2000/53/EC (ELV). Regarding the REACH Regulation, the information TE provides on SVHC in articles for this part number is based on the latest European Chemicals Agency (ECHA) 'Guidance on requirements for substances in articles' posted at this URL: <https://echa.europa.eu/guidance-documents/guidance-on-reach>


Also in the Series | Commercial MATE-N-LOK



Connector Caps & Covers(2)




Connector Contacts(150)




Connector Seals & Cavity Plugs(1)




Crimp Wire Pins, Tabs & Ferrules(2)




Insertion & Extraction Tools(3)




Rectangular Connector Housings(9)



Rectangular Power Connectors(166)

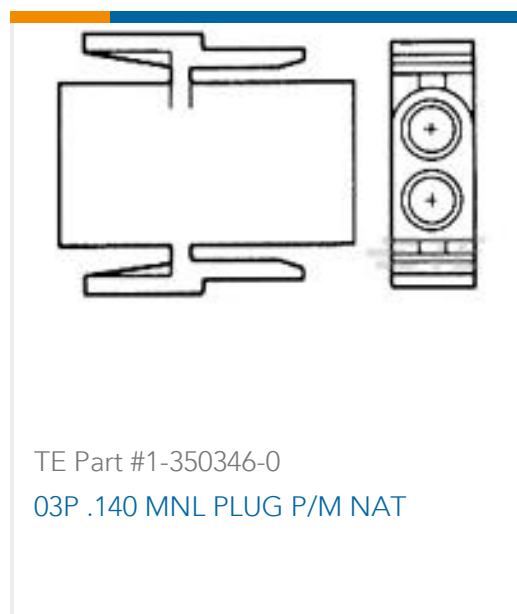


Standard Circular Connectors(2)



Standard Rectangular Connectors(7)

Customers Also Bought



TE Part #1-350346-0  
03P .140 MNL PLUG P/M NAT



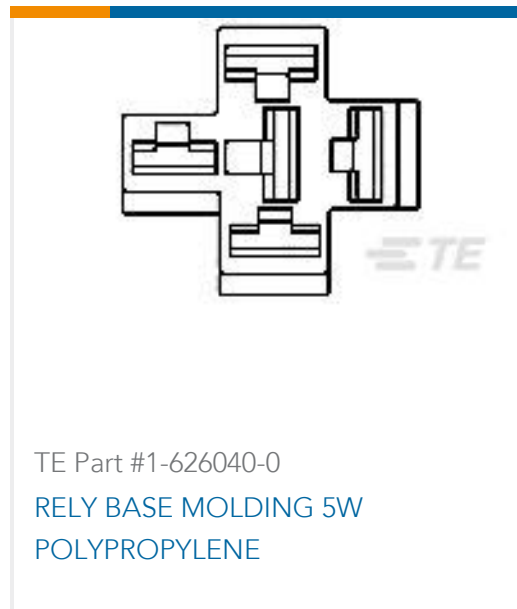
TE Part #880645-6  
PL REC 1.0-2.5MM2 0.40 X 52.32 PTPBR



TE Part #880110  
FASTON HOUSING RECEPTACLE  
NAT NYLON



TE Part #927829-1  
SPT REC 6.3 Contact SRC Sn



TE Part #1-626040-0  
RELY BASE MOLDING 5W  
POLYPROPYLENE



TE Part #880310-1  
2 WAY FF 250 HOUSING TAB NYLON  
6.6 NAT



TE Part #444312-1  
HSG 12 POSN, FUSE CONTACT



TE Part #626439-1  
ELETRO TAP AMARELO



TE Part #880684-2  
.140 DIA PIN

## Documents

### CAD Files

3D PDF

3D

Customer View Model

[ENG\\_CVM\\_CVM\\_880124\\_F.2d\\_dxf.zip](#)

English

Customer View Model

[ENG\\_CVM\\_CVM\\_880124\\_F.3d\\_igs.zip](#)

English

Customer View Model

[ENG\\_CVM\\_CVM\\_880124\\_F.3d\\_stp.zip](#)

English

Customer View Model

[ENG\\_CVM\\_880124\\_C.3d\\_igs.zip](#)

English

Customer View Model

[ENG\\_CVM\\_880124\\_C.3d\\_stp.zip](#)

English



### Customer View Model

[ENG\\_CVM\\_880124\\_C.2d\\_dxf.zip](#)

English

[3D PDF](#)

English

By downloading the CAD file I accept and agree to the [Terms and Conditions](#) of use.

---

### Product Specifications

[Product Specification](#)

English

---

### Agency Approvals

[Agency Approval Document](#)

English