

Switch disconnecter with fuse 160 A, Size 2, 3-pole for LV HRC fuse Sz. 000 and 00 Front operating mechanism left Basic unit without handle flat terminal



Model	
product brand name	SENTRON
product designation	3KF switch disconnecter with fuses
design of the product	3KF switch disconnecter with fuses
product variations	3KF NH
design of the actuating element	without
design of handle	Without
direction of actuation	from the front
type of the driving mechanism motor drive	No
number of poles	3
size of disconnecting link	00 and 000
size of switch disconnecter	2
size of fuse link	NH000, NH00
mechanical service life (operating cycles) typical	12 000
electrical endurance (operating cycles)	
• at AC-23 A at 440 V	8 000
• at AC-23 A at 690 V	5 000
• at DC-23 A at 440 V	1 000
I <sup>2</sup> t value	
• with closed switch for combination switch + fuse at 500 V maximum	150 600 A <sup>2</sup> ·s
• with closed switch for combination switch + fuse at 400 V maximum	150 600 A <sup>2</sup> ·s
• with closed switch at 690 V for combination switch + gG fuse maximum	89 640 A <sup>2</sup> ·s
• of the fuse at 500 V maximum permissible	223 000 A <sup>2</sup> ·s
• of the gG fuse at 690 V maximum permissible	360 000 A <sup>2</sup> ·s
• of the aM fuse at 690 V maximum permissible	565 000 A <sup>2</sup> ·s
position of the switch operating mechanism	left
fuse system	LV HRC fuse
overvoltage category	IV
<b>operating voltage with current paths in series</b>	
• with degree of pollution 2 at DC rated value	440 / 3
• with degree of pollution 3 at DC rated value	440 / 3
surge voltage resistance rated value	12 kV
Supply voltage	
operating voltage at AC rated value maximum	690 V
Protection class	
protection class IP	IP00
protection class IP	
• with closed switch with cover or cable lug cover	IP20

<ul style="list-style-type: none"> <li>● on the front</li> </ul>	IP00
<b>Dissipation</b>	
power loss [W]	
<ul style="list-style-type: none"> <li>● with conventional rated thermal current per pole</li> </ul>	7.2 W
<ul style="list-style-type: none"> <li>● with conventional rated thermal current per device</li> </ul>	21.6 W
<ul style="list-style-type: none"> <li>● with conventional rated thermal current without fuse per pole</li> </ul>	7.2 W
<ul style="list-style-type: none"> <li>● with conventional rated thermal current without fuse per device</li> </ul>	21.6 W
<ul style="list-style-type: none"> <li>● for rated value of the current at AC in hot operating state per pole</li> </ul>	7.2 W
<ul style="list-style-type: none"> <li>● of the fuse per fuse maximum</li> </ul>	12 W
<b>Main circuit</b>	
operating power at AC-23 A at 500 V rated value	110 kW
operational current rated value	160 A
<b>Auxiliary circuit</b>	
number of connected NC contacts for auxiliary contacts	0
number of connected NO contacts for auxiliary contacts	0
number of connected CO contacts for auxiliary contacts	0
number of CO contacts for auxiliary contacts	0
number of NC contacts for auxiliary contacts	6
number of NO contacts for auxiliary contacts	6
suitability for use	
<ul style="list-style-type: none"> <li>● main switch</li> </ul>	Yes
<ul style="list-style-type: none"> <li>● switch disconnecter</li> </ul>	Yes
<ul style="list-style-type: none"> <li>● EMERGENCY OFF switch</li> </ul>	Yes
<ul style="list-style-type: none"> <li>● safety switch</li> </ul>	Yes
<ul style="list-style-type: none"> <li>● maintenance/repair switch</li> </ul>	Yes
product component	
<ul style="list-style-type: none"> <li>● voltage trigger</li> </ul>	No
<ul style="list-style-type: none"> <li>● undervoltage release</li> </ul>	No
<ul style="list-style-type: none"> <li>● undervoltage release with leading contact</li> </ul>	No
product feature sealable	Yes
product extension auxiliary switch	Yes
<b>product extension optional</b>	
<ul style="list-style-type: none"> <li>● locking capability</li> </ul>	Yes
<ul style="list-style-type: none"> <li>● motor drive</li> </ul>	No
<ul style="list-style-type: none"> <li>● fuse monitoring</li> </ul>	Yes
product function	
<ul style="list-style-type: none"> <li>● fuse monitoring</li> </ul>	No
<ul style="list-style-type: none"> <li>● overvoltage protection monitoring</li> </ul>	No
<b>Short circuit</b>	
short-circuit current making capacity (I <sub>cm</sub> ) for switch disconnecter at 690 V AC/440 V DC without fuse link rated value minimum	7.65 kA
conditional short-circuit current with line-side fuse protection	
<ul style="list-style-type: none"> <li>● at 500 V by gG fuse rated value</li> </ul>	100 kA
<ul style="list-style-type: none"> <li>● at 690 V by gG fuse rated value</li> </ul>	100 kA
<b>Connections</b>	
arrangement of electrical connectors for main current circuit	Top and bottom
tightening torque with screw-type terminals	
<ul style="list-style-type: none"> <li>● minimum</li> </ul>	15 N·m
<ul style="list-style-type: none"> <li>● maximum</li> </ul>	22 N·m
type of connectable conductor cross-sections for aluminum conductor stranded with lug	1x (2.5 ... 95 mm <sup>2</sup> ), 2x (2.5 ... 50 mm <sup>2</sup> )
type of connectable conductor cross-sections	
<ul style="list-style-type: none"> <li>● for copper busbar</li> </ul>	1x (20 x 3 mm <sup>2</sup> )
type of connectable conductor cross-sections for copper conductor	
<ul style="list-style-type: none"> <li>● stranded with lug according to DIN 46234</li> </ul>	1x (2.5 ... 95 mm <sup>2</sup> ), 2x (2.5 ... 50 mm <sup>2</sup> )
<ul style="list-style-type: none"> <li>● stranded with lug according to DIN 46235</li> </ul>	1x (25 ... 70 mm <sup>2</sup> ), 2x (25 ... 50 mm <sup>2</sup> )
type of electrical connection for main current circuit	flat connector

Mechanical Design	
height	150 mm
width	190 mm
depth	161.5 mm
fastening method	floor mounting
fastening method	
• 4-hole front mounting	No
• front mounting with central attachment	No
• rail mounting	No
mounting position	any
net weight	2 200 g

Environmental conditions	
ambient temperature during operation	
• minimum	-25 °C
• maximum	70 °C
ambient temperature during storage	
• minimum	-50 °C
• maximum	80 °C

### Approvals Certificates

#### General Product Approval



EG-Konf.



[Confirmation](#)



CCC



VDE

[Miscellaneous](#)

General Product Approval	Test Certificates	Marine / Shipping	other	Environment
--------------------------	-------------------	-------------------	-------	-------------



[Type Test Certificates/Test Report](#)



DNV

[Confirmation](#)

[Miscellaneous](#)

[Environmental Confirmations](#)

#### Environment

[Environmental Confirmations](#)

#### Further information

##### Information on the packaging

<https://support.industry.siemens.com/cs/ww/en/view/109813875>

##### Information- and Downloadcenter (Catalogs, Brochures,...)

<http://www.siemens.com/lowvoltage/catalogs>

##### Industry Mall (Online ordering system)

<https://mall.industry.siemens.com/mall/en/en/Catalog/product?mlfb=3KF2316-0LF11>

##### Service&Support (Manuals, Certificates, Characteristics, FAQs,...)

<https://support.industry.siemens.com/cs/ww/en/ps/3KF2316-0LF11>

##### Image database (product images, 2D dimension drawings, 3D models, device circuit diagrams, ...)

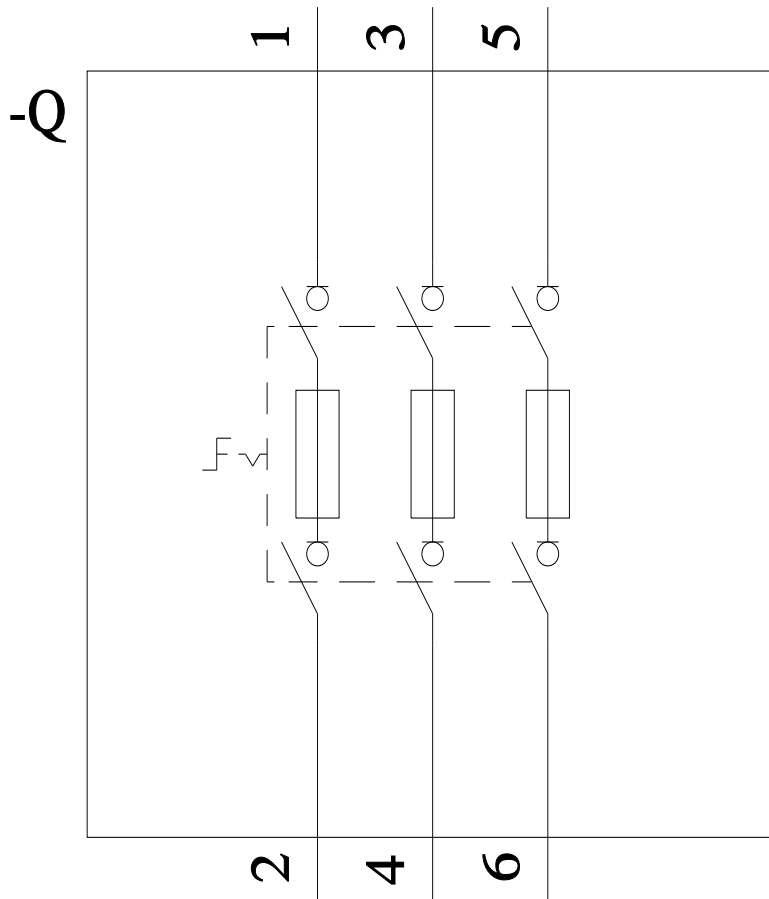
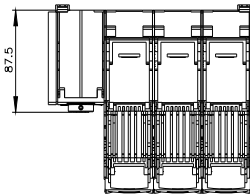
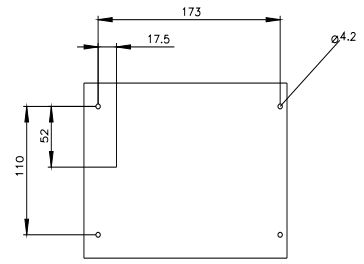
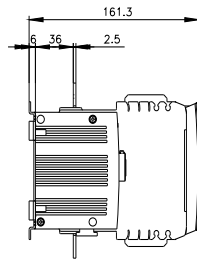
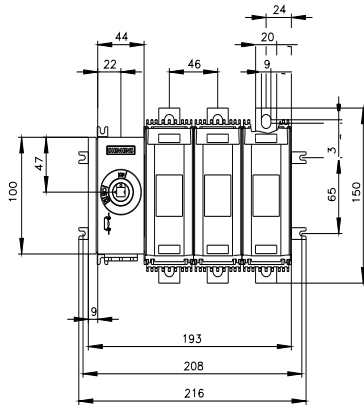
[http://www.automation.siemens.com/bilddb/cax\\_en.aspx?mlfb=3KF2316-0LF11](http://www.automation.siemens.com/bilddb/cax_en.aspx?mlfb=3KF2316-0LF11)

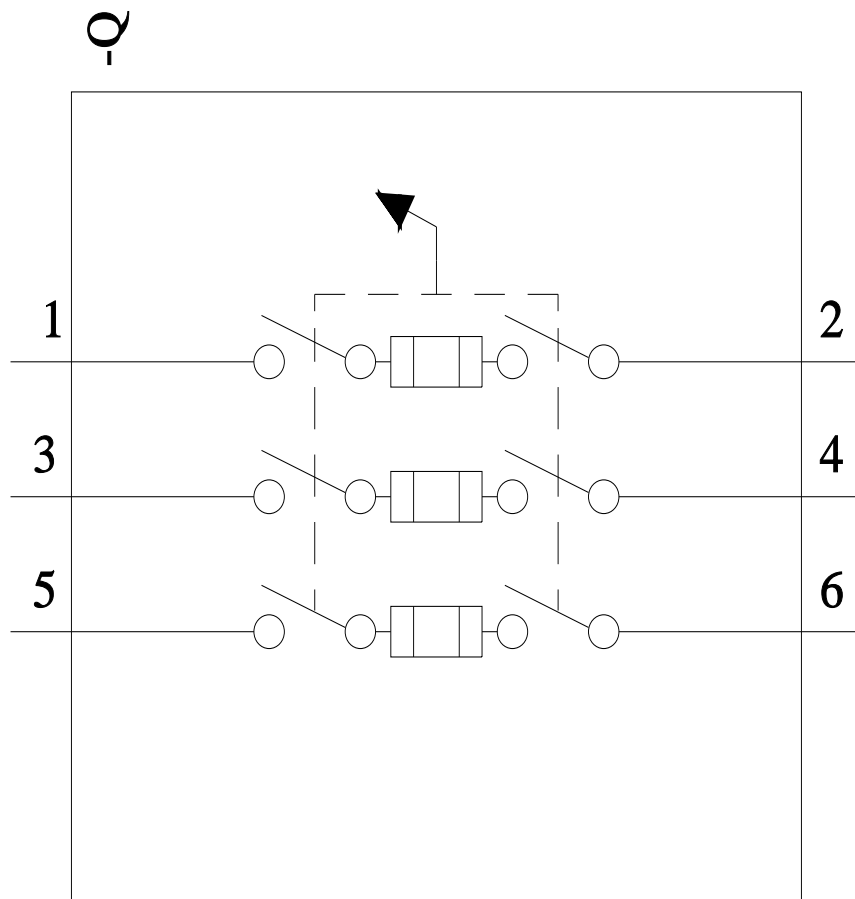
##### CAX-Online-Generator

<http://www.siemens.com/cax>

##### Tender specifications

<http://www.siemens.com/specifications>





last modified:

8/2/2022 

