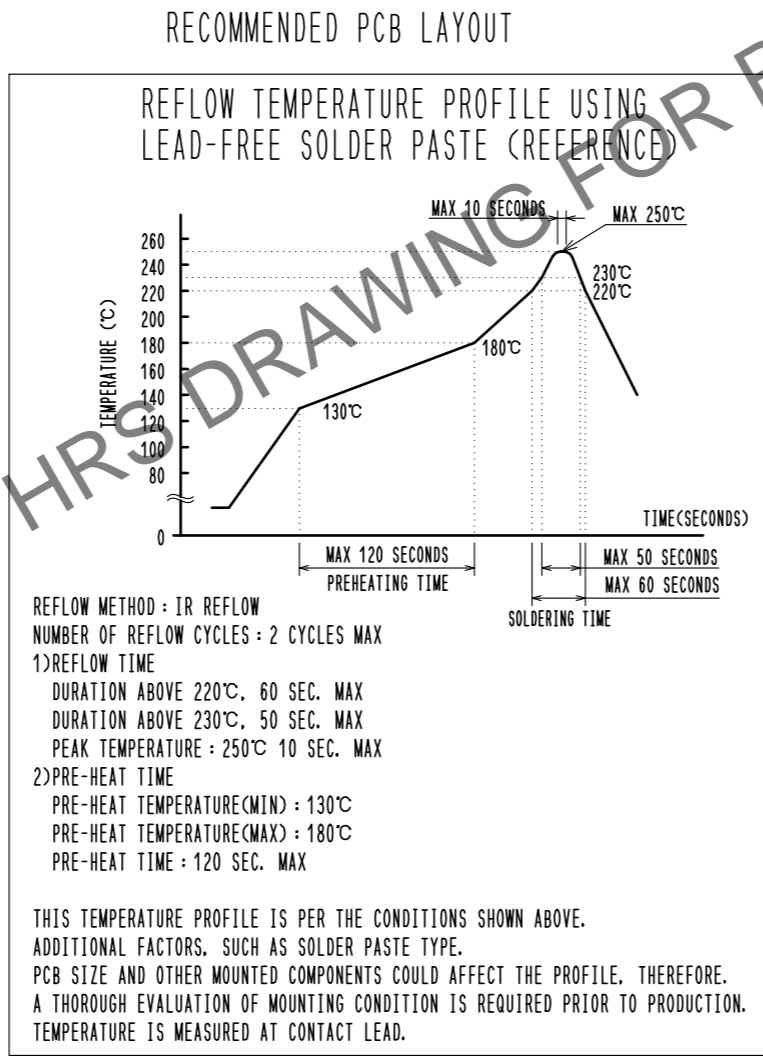
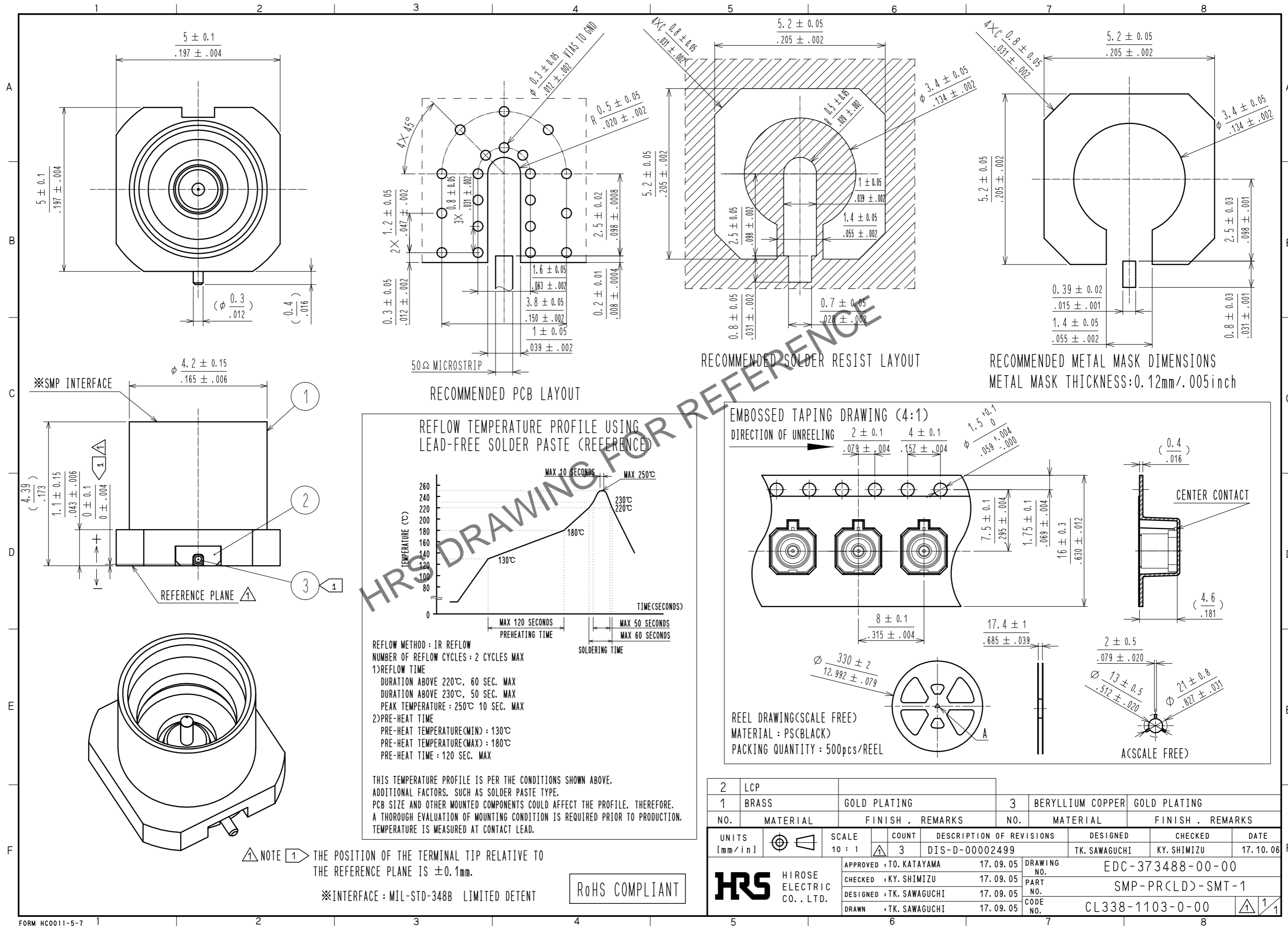
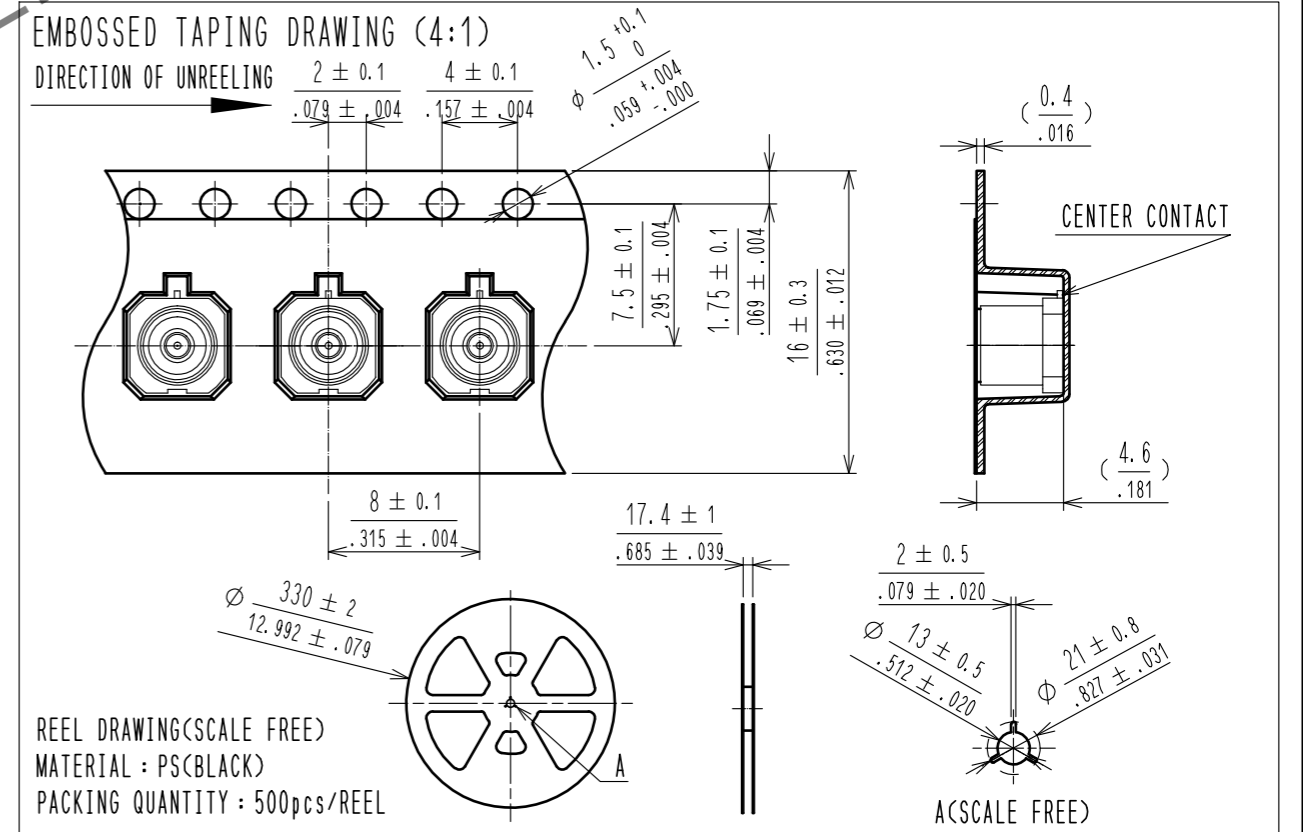


Jun.1.2024 Copyright 2024 HIROSE ELECTRIC CO., LTD. All Rights Reserved.  
In case of consideration for using Automotive equipment / device which demand high reliability, kindly contact our sales window correspondents.



RECOMMENDED SOLDER RESIST LAYOUT

RECOMMENDED METAL MASK DIMENSIONS  
METAL MASK THICKNESS: 0.12mm/.005inch



2	LCP		3	BERYLLIUM COPPER	GOLD PLATING			
1	BRASS	GOLD PLATING						
NO.	MATERIAL	FINISH	REMARKS	NO.	MATERIAL	FINISH	REMARKS	
UNITS [mm/in]		SCALE 10:1	COUNT 3	DESCRIPTION OF REVISIONS		DESIGNED TK. SAWAGUCHI	CHECKED KY. SHIMIZU	DATE 17.10.06
APPROVED : TO. KATAYAMA 17.09.05				DRAWING NO. EDC-373488-00-00				
CHECKED : KY. SHIMIZU 17.09.05				PART NO. SMP-PR(LD)-SMT-1				
DESIGNED : TK. SAWAGUCHI 17.09.05				CODE NO. CL338-1103-0-00				
DRAWN : TK. SAWAGUCHI 17.09.05				1/1				

NOTE 1 THE POSITION OF THE TERMINAL TIP RELATIVE TO THE REFERENCE PLANE IS ±0.1mm.

\*INTERFACE : MIL-STD-348B LIMITED DETENT

RoHS COMPLIANT