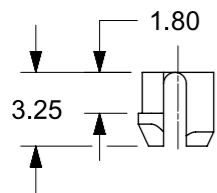
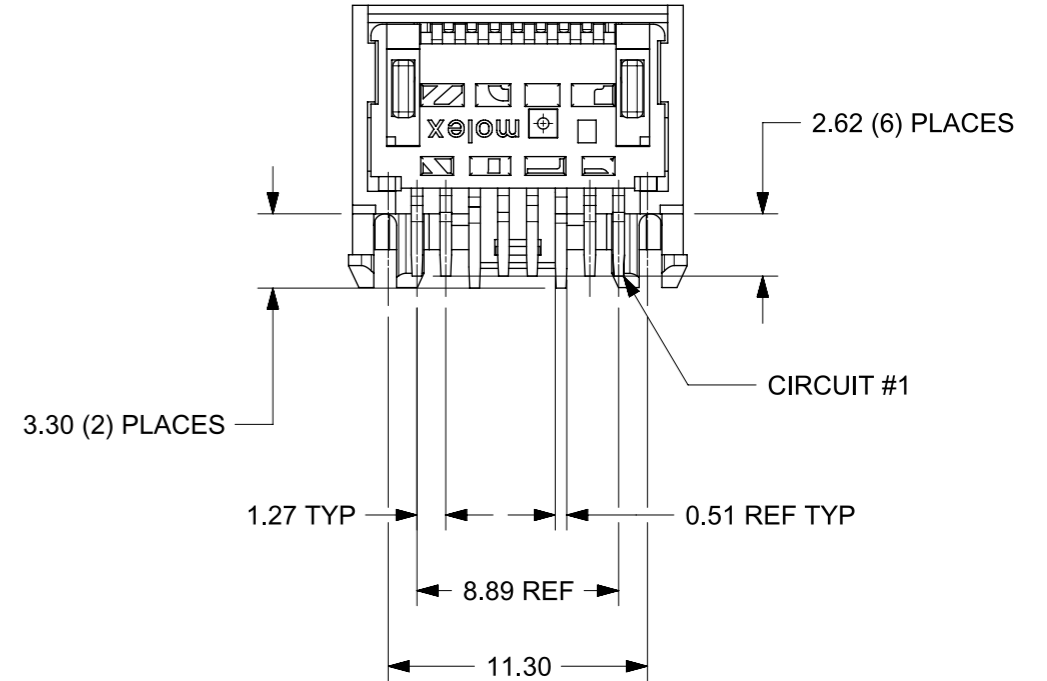
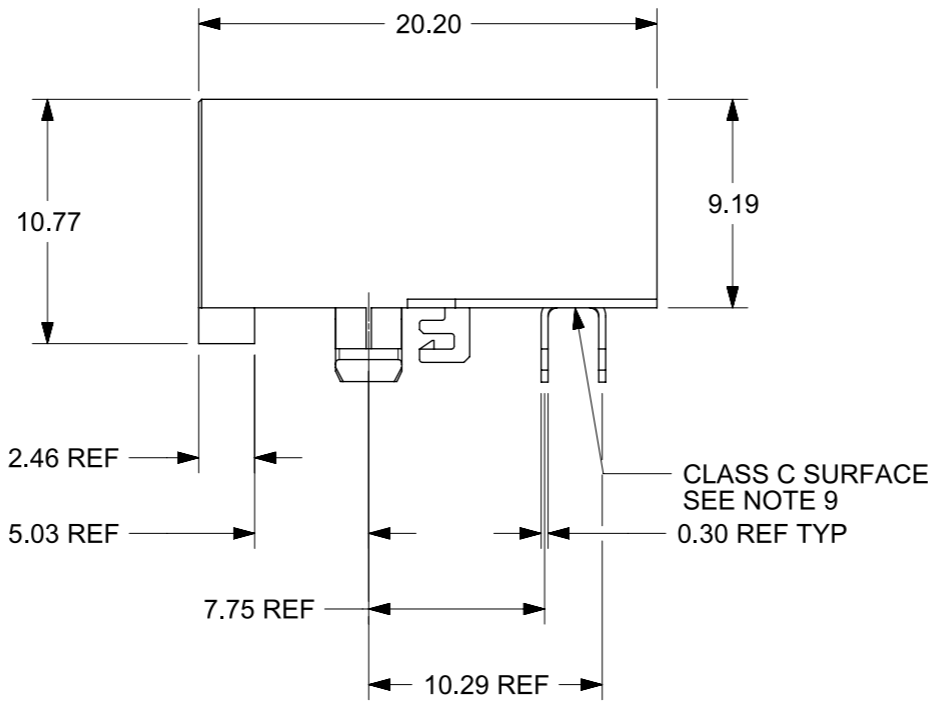
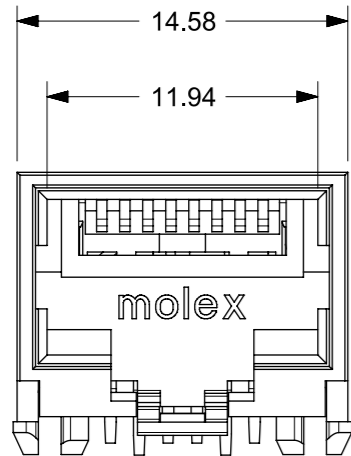
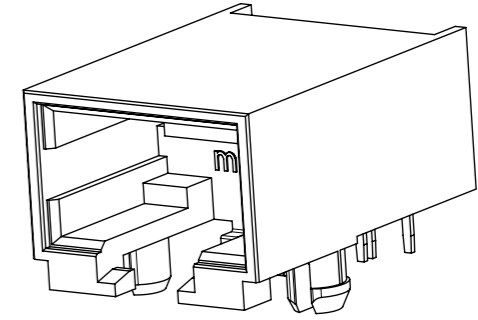
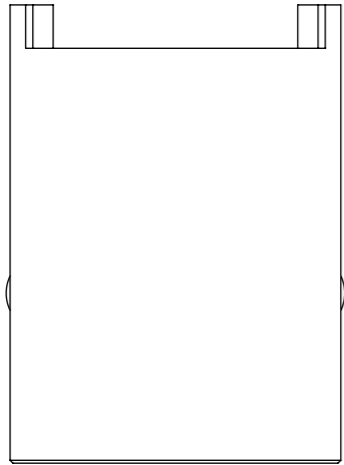


NOTES:

- 1) MATERIAL:
HOUSING: NYLON(PA), GLASS FILLED, UL94V-0, COLOR: BLACK
TERMINALS: PHOSPHOR BRONZE
- 2) FINISH:
TERMINALS:
SELECT GOLD IN CONTACT AREA: 1.27 MICROMETERS MIN.,
SELECT MATTE TIN IN PC TAIL AREA: 2.54 MICROMETERS MIN.,
WITH OVERALL NICKEL UNDERPLATE: 1.27 MICROMETERS MIN.
- 3) PRODUCT SPECIFICATION AND PROCESSING PARAMETERS: PS-44560-003.
- 4) PACKAGING SPECIFICATION:
CONNECTOR PACKAGED IN TRAYS PER MOLEX PACKAGING SPECIFICATION
PK-44661-004.
- 5) CONFORMS TO FCC REGULATION PART 68.5 FOR MODULAR JACKS.
- 6) SEE SHEET (4) OF (4) FOR RECOMMENDED PANEL OPENING AND PCB LAYOUT.
- 7) ASSEMBLY AVAILABLE WITH EITHER SNAP-FIT OR PRESS-FIT PEGS. THIS
DRAWING SHOWS SNAP-FIT PEGS.
- 8) TERMINAL LENGTHS MAY BE DIFFERENT FROM TERMINAL TO TERMINAL.
- 9) THIS PART CONFORMS TO CLASS B REQUIREMENTS OF COSMETIC
SPECIFICATION PS-45499-002 WITH THE EXCEPTION OF THE SURFACE
INDICATED, WHICH IS A CLASS C SURFACE.

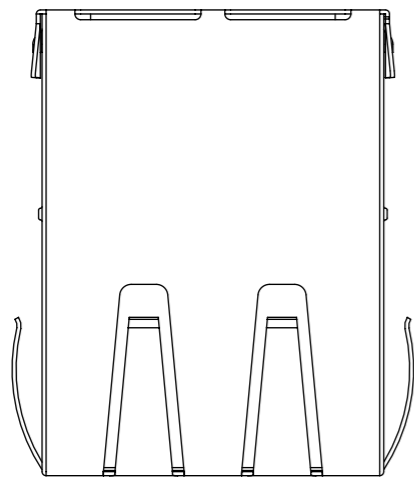


SNAP-FIT PEG

| ASSEMBLY MATERIAL NUMBER | PEG STYLE |
|--------------------------|-----------|
| 446610002 | SNAP-FIT |

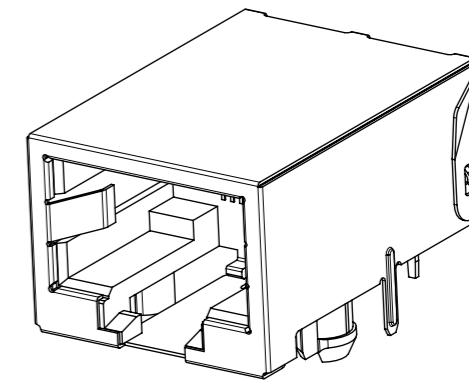
THIS DRAWING CONTAINS INFORMATION THAT IS PROPRIETARY TO MOLEX ELECTRONIC TECHNOLOGIES, LLC AND SHOULD NOT BE USED WITHOUT WRITTEN PERMISSION

| | | | | | | |
|--|------------------------|--|-----------------------|-----------------|----------------|---|
| DIMENSION UNITS mm | SCALE 3:1 | CURRENT REV DESC: REMOVED OBSOLETE PART NUMBERS AS PER PCN#512581. | | | | |
| GENERAL TOLERANCES (UNLESS SPECIFIED) | | | | | | COMPACT SINGLE PORT CATEGORY 5E MODJACK |
| ANGULAR TOL ± 0.5° | | | PRODUCT SALES DRAWING | | | |
| 4 PLACES ± | | | DOCUMENT NUMBER | DOC TYPE | DOC PART | REVISION |
| 3 PLACES ± | | | SD-44661-001 | | | PSD 001 G7 |
| 2 PLACES ± 0.300 | | | STATUS: Production | | | |
| 1 PLACE ± | | | DRWN: ANIKETHAN SS | | | 2023-07-27 |
| 0 PLACES ± | | | CHK'D: Ganesh Rao B | | | 2023-09-01 |
| | | | APPR: Gurunandan GA | | | 2023-09-01 |
| DRAFT WHERE APPLICABLE MUST REMAIN WITHIN DIMENSIONS | THIRD ANGLE PROJECTION | DRAWING | SERIES | MATERIAL NUMBER | CUSTOMER | SHEET NUMBER |
| | | A3-SIZE | 44661 | SEE CHART | GENERAL MARKET | 1 OF 4 |

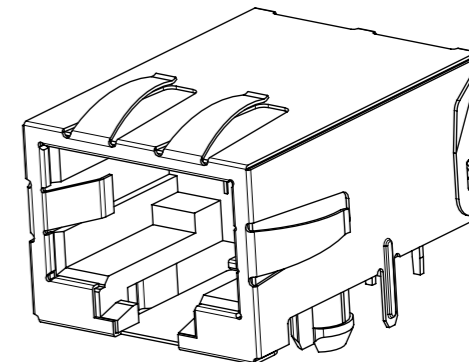


NOTES:

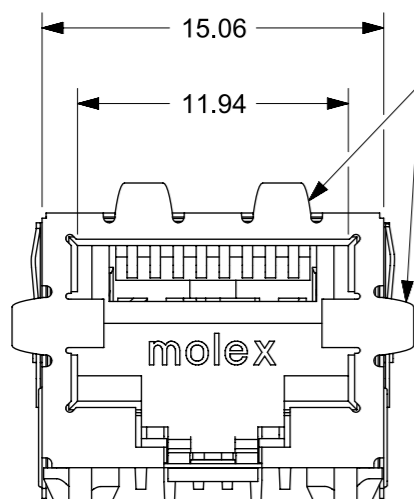
- 1) MATERIAL:
HOUSING: NYLON(PA), GLASS FILLED, UL94V-0, COLOR: BLACK
TERMINALS: PHOSPHOR BRONZE
SHIELD: BRASS, 0.18 THICK
- 2) FINISH:
TERMINALS:
SELECT GOLD IN CONTACT AREA: 1.27 MICROMETERS MIN.,
SELECT MATTE TIN IN PC TAIL AREA: 2.54 MICROMETERS MIN.,
WITH OVERALL NICKEL UNDERPLATE: 1.27 MICROMETERS MIN.
SHIELD:
2.54 MICROMETERS NICKEL OVER 1.27 MICROMETERS
COPPER UNDERPLATE; PCB GROUND TABS DIPPED IN TIN
- 3) PRODUCT SPECIFICATION AND PROCESSING PARAMETERS: PS-44560-003.
- 4) PACKAGING SPECIFICATION:
CONNECTOR PACKAGED IN TRAYS PER MOLEX PACKAGING
SPECIFICATION PK-44661-004.
- 5) CONFORMS TO FCC REGULATION PART 68.5 FOR MODULAR JACKS.
- 6) ENHANCED GROUND TABS SHIELD (OPTION -B-) IS SHOWN IN THIS DRAWING.
- 7) SEE SHEET (4) OF (4) FOR RECOMMENDED PANEL OPENING AND PCB LAYOUT.
- 8) ASSEMBLY AVAILABLE WITH EITHER SNAP-FIT OR PRESS-FIT PEGS. THIS DRAWING SHOWS SNAP-FIT PEGS.
- 9) TERMINAL LENGTHS MAY BE DIFFERENT FROM TERMINAL TO TERMINAL.
- 10) THIS PART CONFORMS TO CLASS B REQUIREMENTS OF COSMETIC SPECIFICATION PS-45499-002 WITH THE EXCEPTION OF THE SURFACE INDICATED, WHICH IS A CLASS C SURFACE.



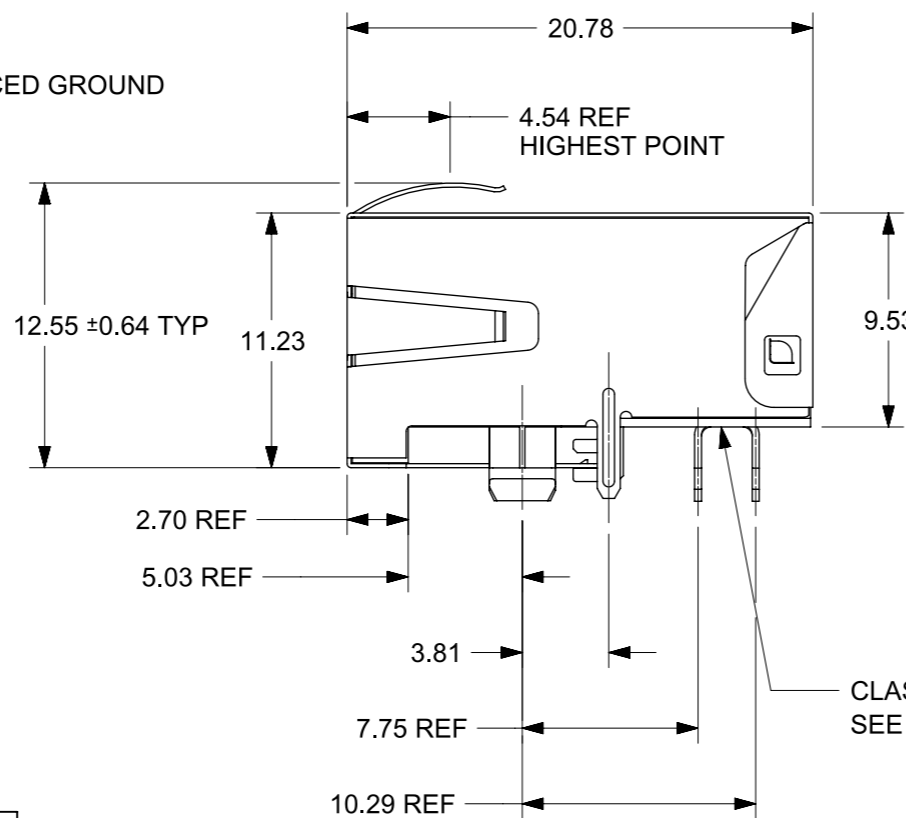
SHIELDING OPTION -A-
STANDARD SHIELD



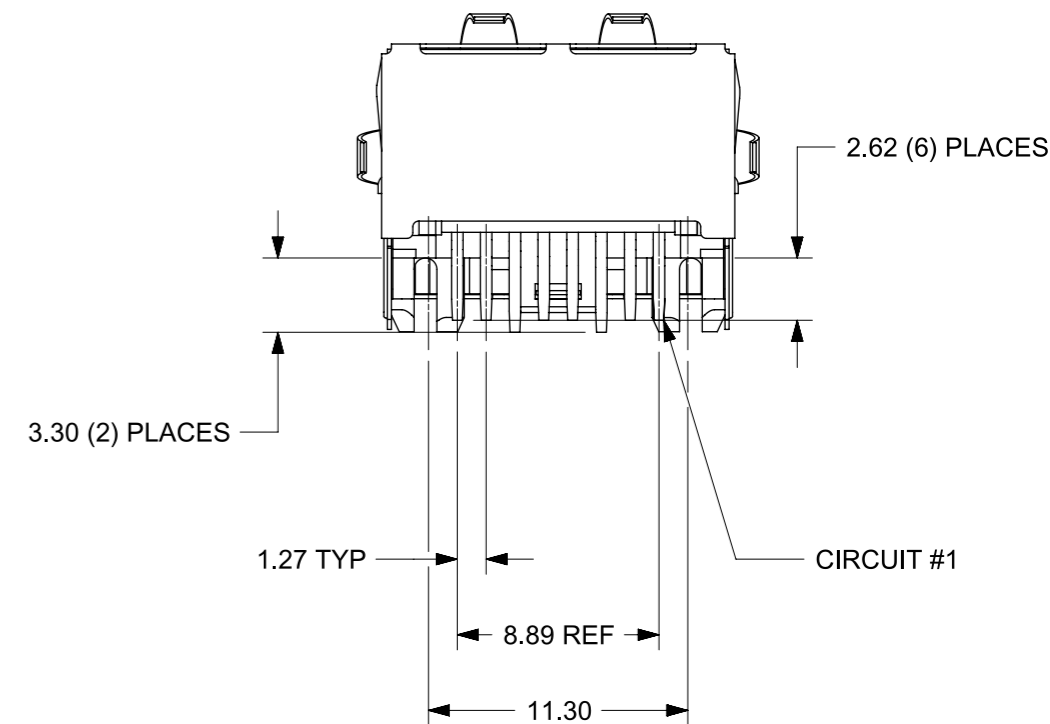
SHIELDING OPTION -B-
ENHANCED GROUND TABS



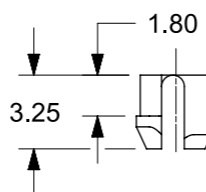
ENHANCED GROUND
TABS



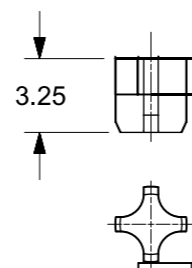
CLASS C SURFACE
SEE NOTE 10



| ASSEMBLY MATERIAL NUMBER | PEG STYLE | SHIELDING OPTION |
|--------------------------|-----------|------------------|
| 446610001 | SNAP-FIT | A |
| 446610011 | SNAP-FIT | B |
| 446611001 | PRESS-FIT | A |
| 446611011 | PRESS-FIT | B |
| 446611131 | PRESS-FIT | B |



SNAP-FIT PEG



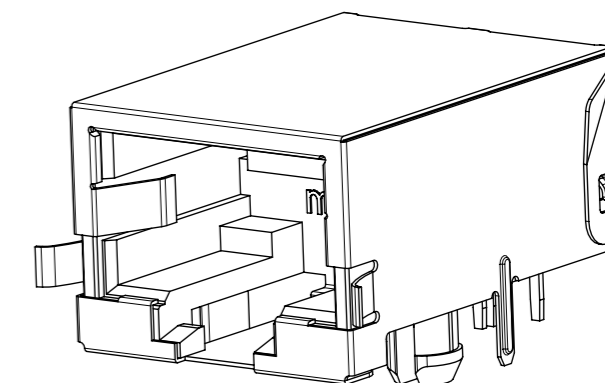
PRESS-FIT PEG

THIS DRAWING CONTAINS INFORMATION THAT IS PROPRIETARY TO MOLEX ELECTRONIC TECHNOLOGIES, LLC AND SHOULD NOT BE USED WITHOUT WRITTEN PERMISSION

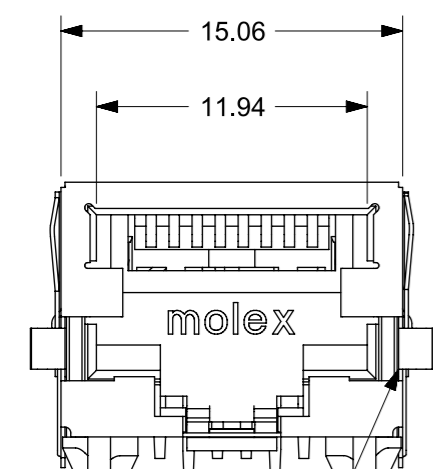
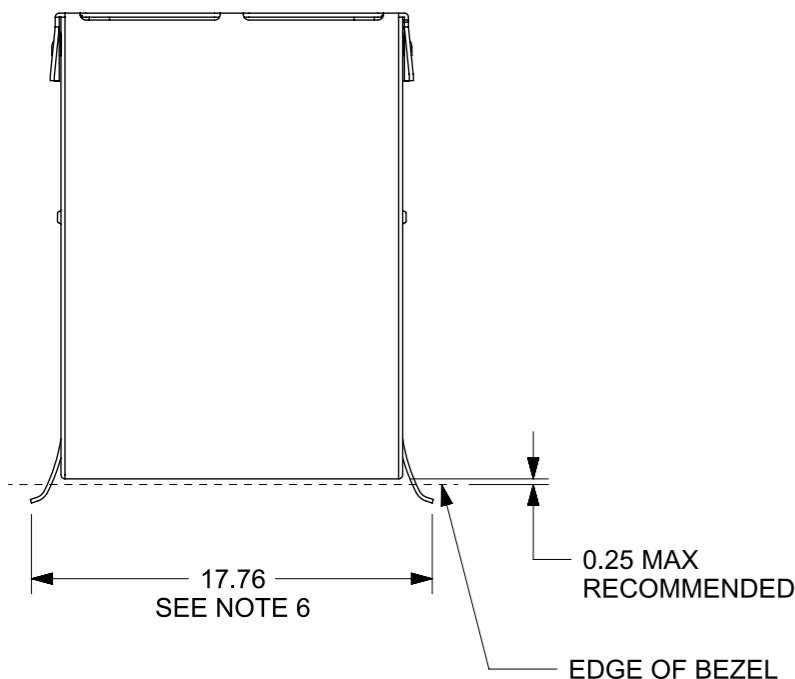
| | | | | | | |
|--|------------------------|--|--------------------------------|-----------------|----------------|---|
| DIMENSION UNITS mm | SCALE 3:1 | CURRENT REV DESC: REMOVED OBSOLETE PART NUMBERS AS PER PCN#512581. | | | | |
| GENERAL TOLERANCES (UNLESS SPECIFIED) | | | | | | COMPACT SINGLE PORT CATEGORY 5E MODJACK |
| ANGULAR TOL ± 0.5° | | | PRODUCT SALES DRAWING | | | |
| 4 PLACES ± | | | DOCUMENT NUMBER | | | |
| 3 PLACES ± | | | DOC TYPE DOC PART REVISION | | | |
| 2 PLACES ± 0.300 | | | SD-44661-001 PSD 001 G7 | | | |
| 1 PLACE ± | | | STATUS: Production | | | |
| 0 PLACES ± | | | DRWN: ANIKETHAN SS 2023-07-27 | | | |
| | | | CHK'D: Ganesh Rao B 2023-09-01 | | | |
| | | | APPR: Gurunandan GA 2023-09-01 | | | |
| DRAFT WHERE APPLICABLE MUST REMAIN WITHIN DIMENSIONS | THIRD ANGLE PROJECTION | DRAWING | SERIES | MATERIAL NUMBER | CUSTOMER | SHEET NUMBER |
| | | A3-SIZE | 44661 | SEE CHART | GENERAL MARKET | 2 OF 4 |

NOTES:

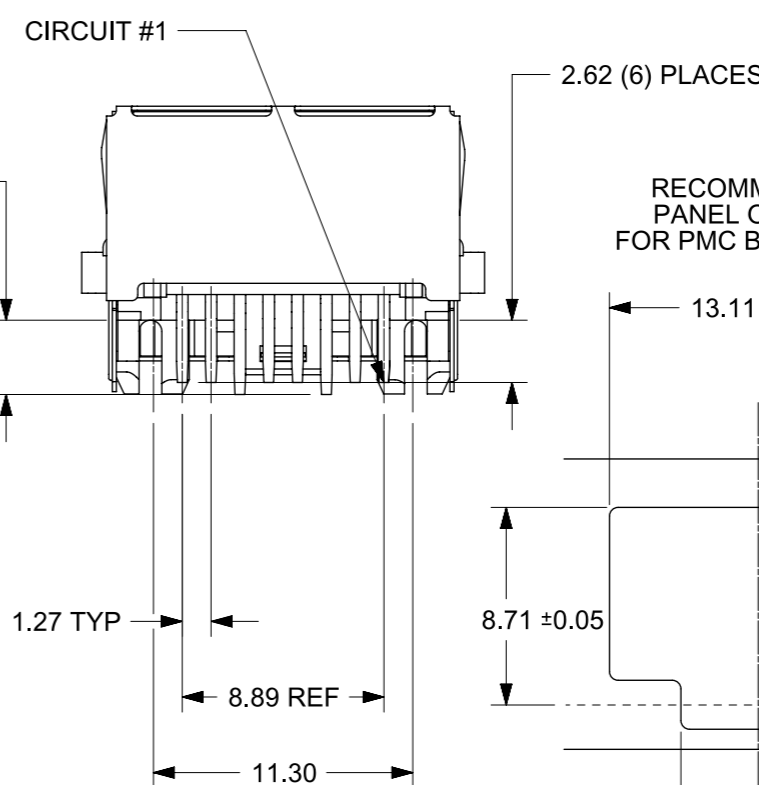
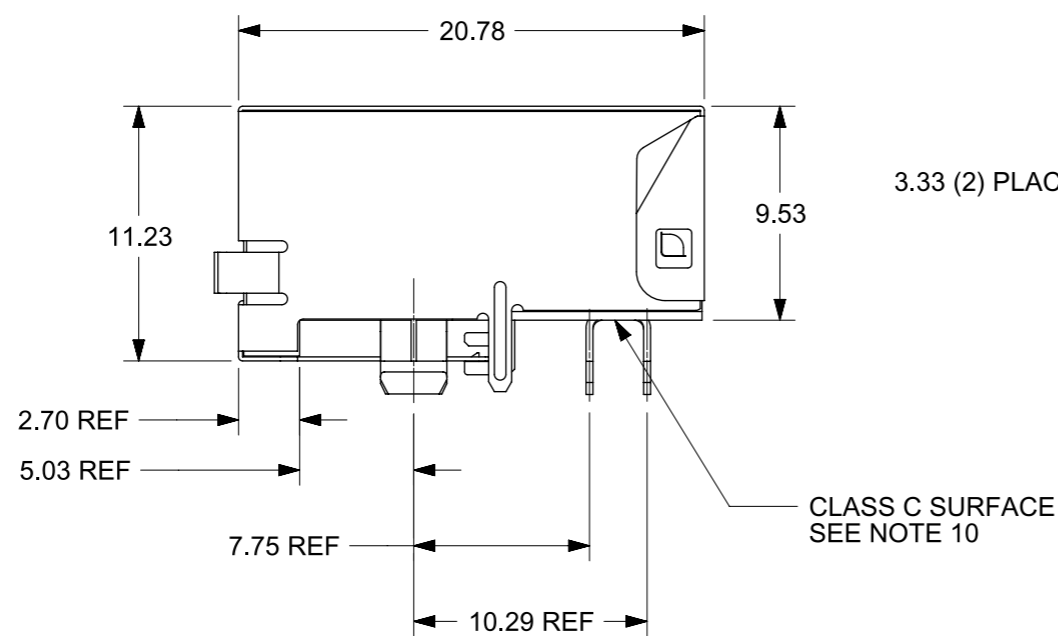
- 1) MATERIAL:
HOUSING: NYLON (PA), GLASS FILLED, UL94V-0, COLOR: BLACK
TERMINALS: PHOSPHOR BRONZE
SHIELD: BRASS, 0.18 THICK
- 2) FINISH:
TERMINALS:
SELECT GOLD IN CONTACT AREA: 1.27 MICROMETERS MIN.,
SELECT MATTE TIN IN PC TAIL AREA: 2.54 MICROMETERS MIN.,
WITH OVERALL NICKEL UNDERPLATE: 1.27 MICROMETERS MIN.
SHIELD:
2.54 MICROMETERS NICKEL OVER 1.27 MICROMETERS
COPPER UNDERPLATE; PCB GROUND TABS DIPPED IN TIN.
- 3) PRODUCT SPECIFICATION AND PROCESSING PARAMETERS: PS-44560-003.
- 4) PACKAGING SPECIFICATION:
CONNECTOR PACKAGED IN TRAYS PER MOLEX PACKAGING
SPECIFICATION PK-44661-004.
- 5) CONFORMS TO FCC REGULATION PART 68.5 FOR MODULAR JACKS.
- 6) THIS DIMENSION HAS A MAXIMUM OF 20.45 WHEN THE JACK IS INSTALLED
BEHIND THE BEZEL.
- 7) SEE SHEET (4) OF (4) FOR PCB LAYOUT.
- 8) ASSEMBLY AVAILABLE WITH EITHER SNAP-FIT OR PRESS-FIT PEGS. THIS
DRAWING SHOWS SNAP-FIT PEGS.
- 9) TERMINAL LENGTHS MAY BE DIFFERENT FROM TERMINAL TO TERMINAL.
- 10) THIS PART CONFORMS TO CLASS B REQUIREMENTS OF COSMETIC
SPECIFICATION PS-45499-002 WITH THE EXCEPTION OF THE SURFACE
INDICATED, WHICH IS A CLASS C SURFACE.



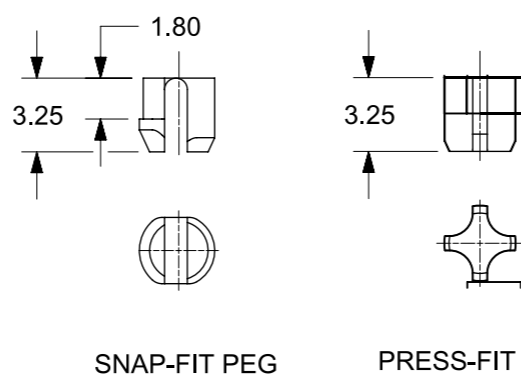
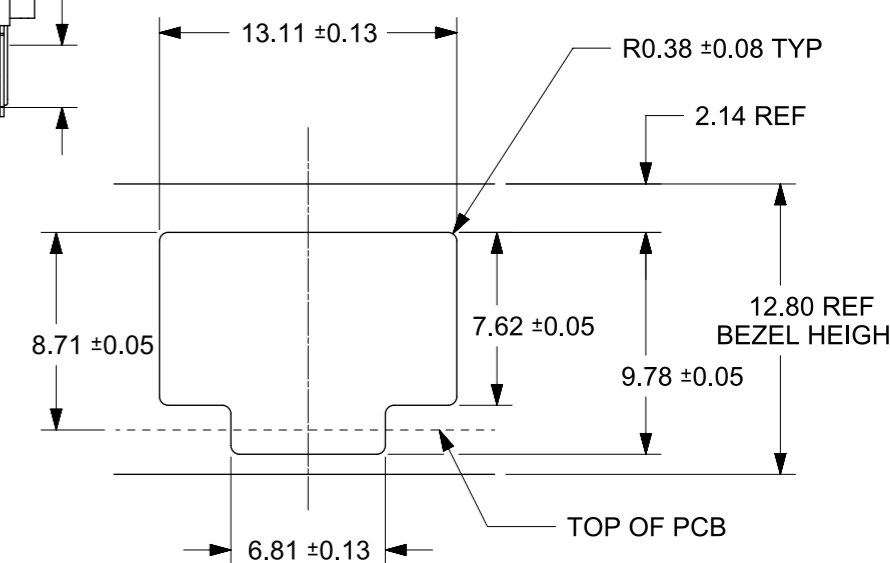
SHIELDING OPTION -C-
BEZEL GROUND TABS



BEZEL GROUND TAB



RECOMMENDED
PANEL OPENING
FOR PMC BEZEL ONLY



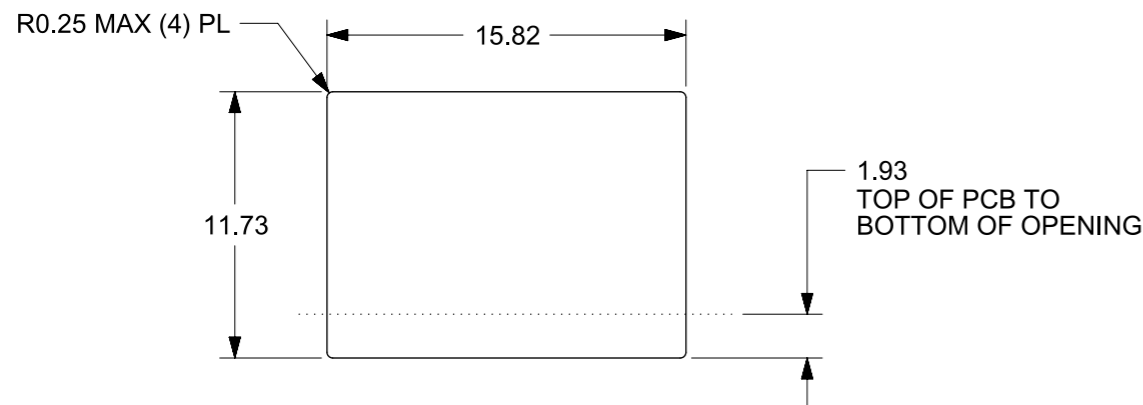
SNAP-FIT PEG

PRESS-FIT PEG

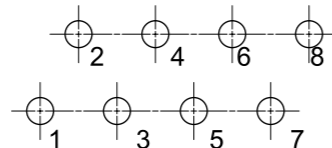
| "X" = NOT TOOLED | ASSEMBLY MATERIAL NUMBER | PEG STYLE |
|------------------|--------------------------|-----------|
| | 446610021 | SNAP-FIT |
| X | 446611021 | PRESS-FIT |

THIS DRAWING CONTAINS INFORMATION THAT IS PROPRIETARY TO MOLEX ELECTRONIC TECHNOLOGIES, LLC AND SHOULD NOT BE USED WITHOUT WRITTEN PERMISSION

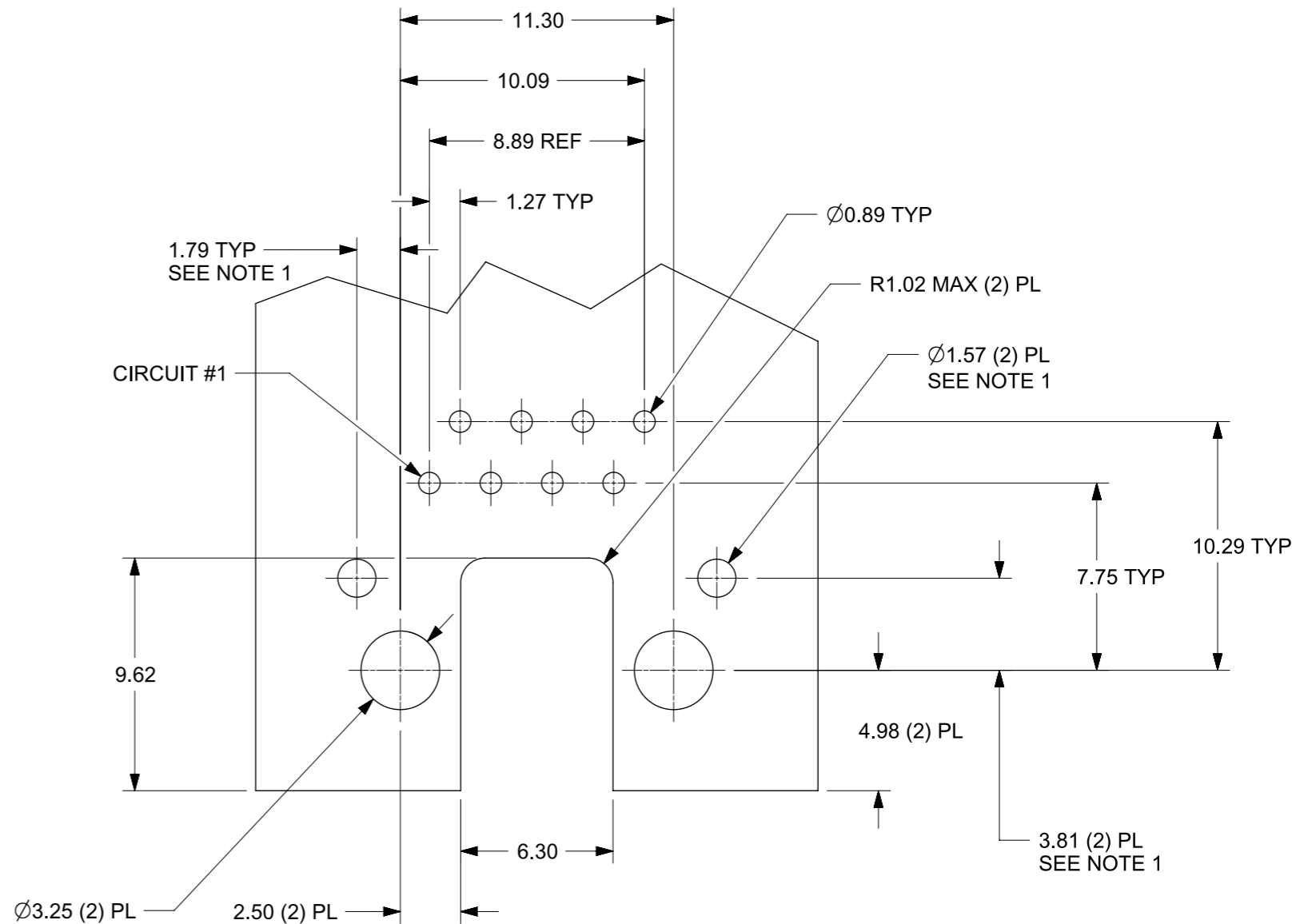
| | | | |
|--|---------|--|--------------------------------|
| DIMENSION UNITS | SCALE | CURRENT REV DESC: REMOVED OBSOLETE PART NUMBERS AS PER PCN#512581. | |
| mm | 1:1 | | |
| GENERAL TOLERANCES (UNLESS SPECIFIED) | | | |
| ANGULAR TOL ± 0.5° | | | |
| 4 PLACES | ± | | |
| 3 PLACES | ± | | |
| 2 PLACES | ± 0.300 | | |
| 1 PLACE | ± | | |
| 0 PLACES | ± | | |
| DRAFT WHERE APPLICABLE MUST REMAIN WITHIN DIMENSIONS | | THIRD ANGLE PROJECTION | |
| | | DRAWING | SERIES |
| | | A3-SIZE | 44661 |
| | | MATERIAL NUMBER | CUSTOMER |
| | | SEE CHART | GENERAL MARKET |
| | | STATUS: Production | |
| | | DRWN: ANIKETHAN SS | 2023-07-27 |
| | | CHK'D: Ganesh Rao B | 2023-09-01 |
| | | APPR: Gurunandan GA | 2023-09-01 |
| | | DOCUMENT NUMBER | DOC TYPE DOC PART REVISION |
| | | SD-44661-001 | PSD 001 G7 |
| | | SHEET NUMBER | |
| | | | 3 OF 4 |



RECOMMENDED
PANEL OPENING
SHIELDING OPTIONS A AND B



TYPICAL PC TERMINAL HOLE LAYOUT



PCB LAYOUT: COMPONENT SIDE
RECOMMENDED PCB THICKNESS (SNAP-FIT PEG) : 1.57
TOLERANCE ± 0.076 UNLESS OTHERWISE SPECIFIED

NOTES:

1. DIMENSIONS REFER TO ASSEMBLIES WITH SHIELDING OPITON

| | | | | | | | | | |
|---|------------------------|---|------------|-----------------|----------------|--------------|----------|--|--|
| THIS DRAWING CONTAINS INFORMATION THAT IS PROPRIETARY TO MOLEX ELECTRONIC TECHNOLOGIES, LLC AND SHOULD NOT BE USED WITHOUT WRITTEN PERMISSION | | | | | | | | | |
| DIMENSION UNITS | SCALE | CURRENT REV DESC: REMOVED OBSOLETE PART NUMBERS AS PER PCN#512581. | | | | | | | |
| mm | 4:1 | <div style="text-align: center;">molex</div> <p>COMPACT SINGLE PORT CATEGORY 5E MODJACK</p> <p>PRODUCT SALES DRAWING</p> | | | | | | | |
| GENERAL TOLERANCES (UNLESS SPECIFIED) | | | | | | | | | |
| ANGULAR TOL | $\pm 0.5^\circ$ | | | | | | | | |
| 4 PLACES | \pm | | | | | | | | |
| 3 PLACES | \pm | | | | | | | | |
| 2 PLACES | ± 0.300 | | | | | | | | |
| 1 PLACE | \pm | STATUS: Production | 2023-07-27 | DOCUMENT NUMBER | DOC TYPE | DOC PART | REVISION | | |
| 0 PLACES | \pm | DRWN: ANIKETHAN SS | 2023-09-01 | SD-44661-001 | PSD | 001 | G7 | | |
| DRAFT WHERE APPLICABLE MUST REMAIN WITHIN DIMENSIONS | THIRD ANGLE PROJECTION | DRAWING | SERIES | MATERIAL NUMBER | CUSTOMER | SHEET NUMBER | | | |
| | | A3-SIZE | 44661 | SEE CHART | GENERAL MARKET | 4 OF 4 | | | |