

Verpackung Stange / packaging tube

12	17
10	21
8	27
6	33
5	37
4	42
3	49
2	58
Polzahl position	Stück / pieces

Verpackt im Gurt in Anlehnung an DIN IEC 60286-3
Tape on Reel Packaging according to DIN IEC 60286-3
Verpackungseinheit: 700 Stück
Packaging unit: 700 pcs

Abspülrichtung - Reel off Direction

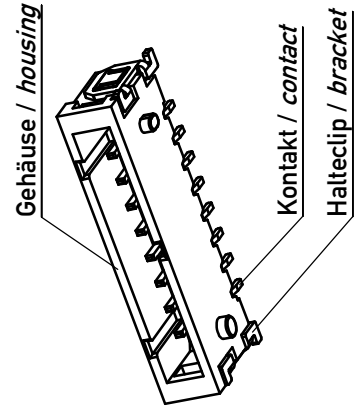
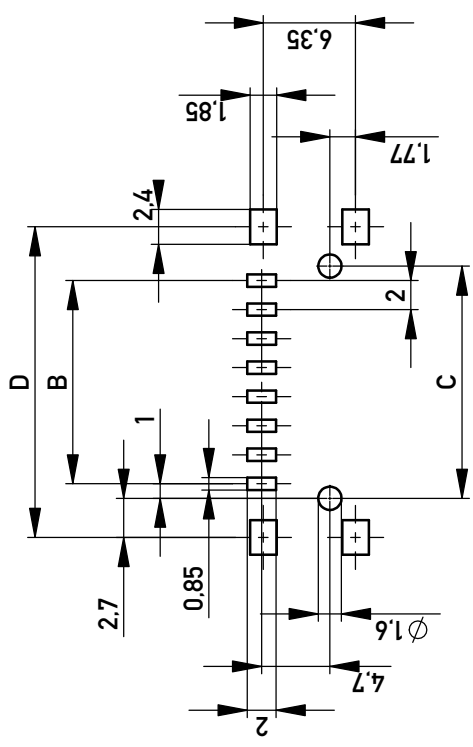
Material und Oberfläche:
Material and plating:

Gehäuse / housing: LCP, UL94V-0, natural
Kontakt / contact: Kupferlegierung 2.5µm verzinkt, 1.25µm Ni rundum
Copper alloy
2.5µm tin plating over 1.25µm Ni all over

Halteclip / bracket: Kupferlegierung 2.5µm verzinkt, 1.25µm Ni rundum
Copper alloy
2.5µm tin plating over 1.25µm Ni all over

Maße und Toleranzen in Übereinstimmung mit ASME Y14.5-2009 /
Interpret dimensions according to ASME Y14.5-2009

Layout:
vorgeschlagene Toleranz für PCB Layout ± 0.05
recommended PCB layout tolerance ± 0.05



119908	119933	12	30.5	22	24	29.4	44
119903	119932	10	26.5	18	20	25.4	44
109919	109925	8	22.5	14	16	21.4	44
109918	109924	6	18.5	10	12	17.4	32
109917	109923	5	16.5	8	10	15.4	32
109916	109922	4	14.5	6	8	13.4	32
109915	109921	3	12.5	4	6	11.4	24
109914	109920	2	10.5	2	4	9.4	24
Ident.-Nr. part-no. tape & reel	Ident.-Nr. part-no. tube	Polzahl position	Mass A Dim A	Mass B Dim B	Mass C Dim C	Mass D Dim D	Mass E Dim E

Information:
All rights reserved.
Only for information.
To ensure that this is the latest version of this drawing, please contact one of the ERNI companies before using.

Subject to modification without prior notice.
Drawing will not be updated.

Scale: 5:1
All Dimensions in mm

Designation:
iBridge male 2mm pitch
Single Row R/A SMT

www.ERNI.com
109913

10.04.2018
Date

Index

Class: iBRIDGE
A3

Copyright by ERNI Production GmbH & Co. KG
Proprietary notice pursuant to ISO 16016 to be observed.