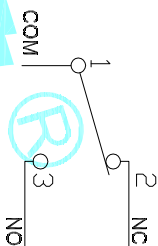
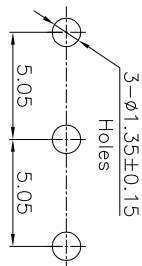
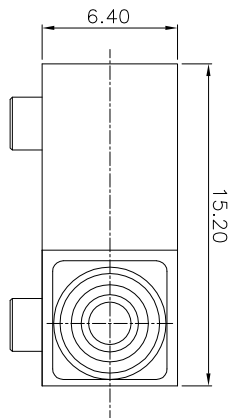
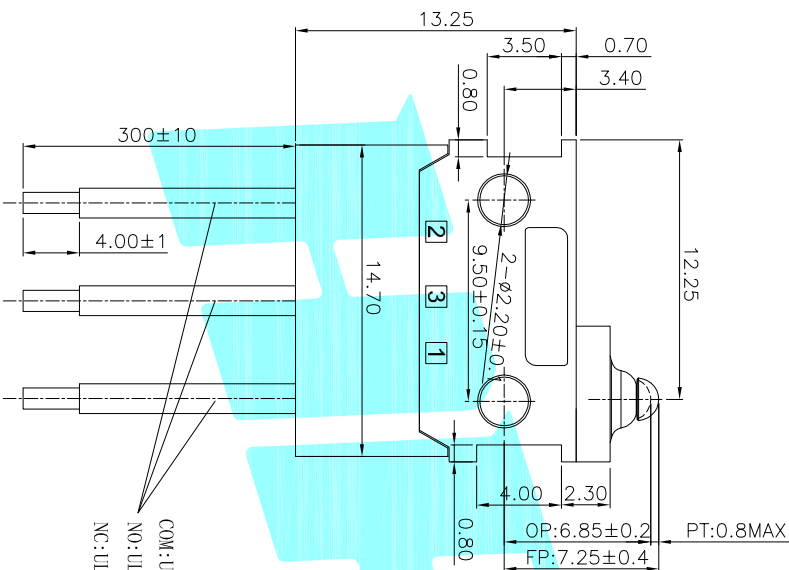


INGRESS PROTECTION:IP67

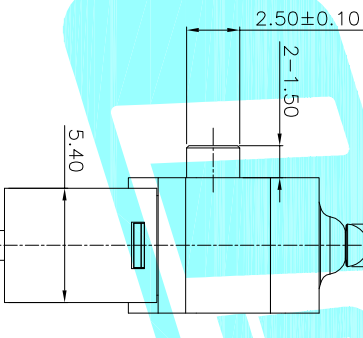


P.C.B layout

Circuit Diagram



COM:UL1007 22AWG BLACK(黑色)
NO:UL1007 22AWG BLUE(蓝色)
NC:UL1007 22AWG GRAY(灰色)



- NOTE:
- 1.Rating1:DC12V 3A
 - 2.Rating2:48V DC/125V AC/250V AC 0.1A
 - 3.Operating froce:130gf MAX
 - 4.Electric Life:10,000
 - 5.Mechanical Life:1,000,000

⑦	Shrapnel	—	1	Brass	Plating silver	—
⑥	Contact	—	1	Ag	—	—
⑤	Sealed Circle	—	1	Silicone Rubber	—	—
④	Terminal	—	3	Brass(0.50t)	Plating silver	—
③	Plunger	—	1	POM	Black	—
②	Cose	—	1	PA	Black	—
①	Cover	—	1	PA	Black	—
ITEM	PART NAME	TER'NO.	QTY.	MATERIAL	FINISHING	REMARK

APPROVALS	DATE	ELECTRONICS CO.,LTD	
DRAWN	LUCAN	2020/9/14	

CHECKED	TITLE:	MICRO SWITCHS	
APPROVALS	PART NO.	K9-1802R	

TOLERANCES ARE	30~R/L	±0.30	ANGLE	UNIT: mm	SCALE: 1:1	PROD.
	10~30	±0.20				
	5~10	±0.15	±2'	DRAWING NO.		SHEET 1 OF 1
	~ 5	±0.10				

ECN NO.	REV.	DATE.	DESCRIPTION.	CHANGE.	CHECK.	APPRO.
	A		NEW			