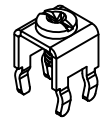
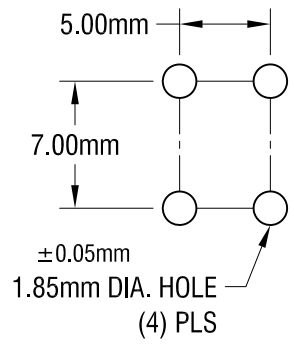


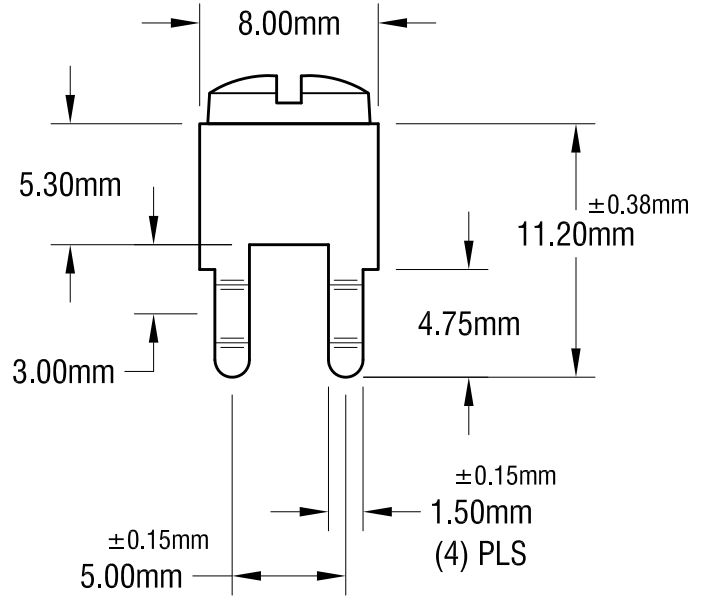
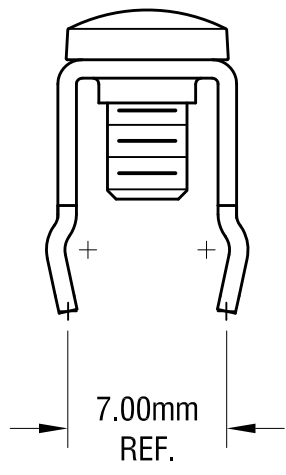
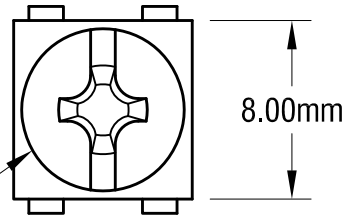
THIS DOCUMENT IS THE PROPERTY OF KEYSTONE ELECTRONICS CORP. AND SHALL NOT BE REPRODUCED, DISTRIBUTED OR USED AS A BASIS FOR MANUFACTURE WITHOUT PRIOR WRITTEN PERMISSION FROM KEYSTONE ELECTRONICS CORP.



MOUNTING DETAIL



M3 x 0.5
6.00mm LONG
CAPTIVATED SCREW



SCREW TERMINAL W / COLORED SCREW HEAD

PART NO.	HEAD COLOR	PART NO.	HEAD COLOR
7696-2	RED	7696-5	BLUE
7696-3	BLACK	7696-6	GREEN
7696-4	WHITE	7696-7	YELLOW

- NOTE:**
- ALL DIMENSIONS ARE IN MILLIMETERS.
 - TERMINAL:
MAT'L - 0.8mm TH'K BRASS, MATTE TIN PLATE
 - SCREW:
MAT'L - BRASS, NICKEL PLATE

KEYSTONE ELECTRONICS CORP.
www.keyelco.com • NEW HYDE PARK, NY 11040 • Tel (516) 328-7500

PART NAME: **PC METRIC SCREW TERMINAL**

MATERIAL: **AS NOTED**

FINISH: AS NOTED	DRN BY: NT	DATE: 4.27.12
	APP'D: LN	SCALE: 3X

TOLERANCES: INCH [MM] CODE: **C**

DECIMAL: ± [± 0.25]

ANGULAR: ± 1° UNLESS OTHERWISE SPECIFIED

DWG NO.: **7696-2 - 7696-7**

DATE	DESCRIPTION	REV.
------	-------------	------