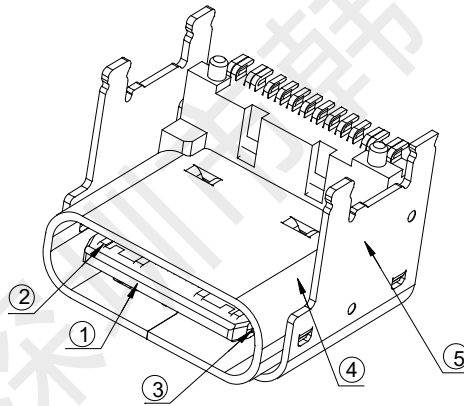
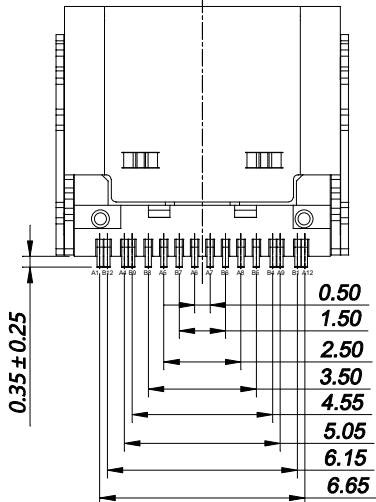
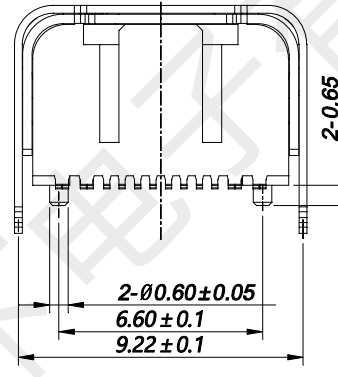
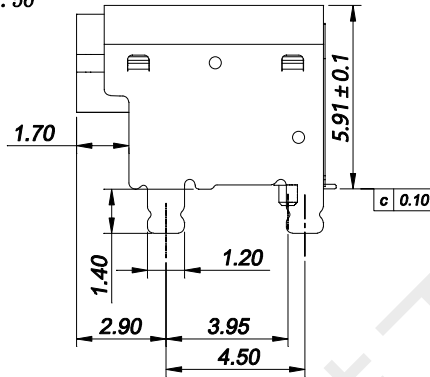
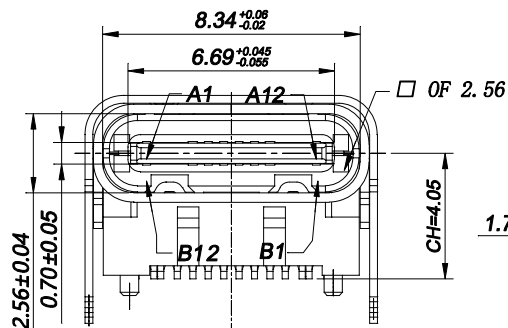
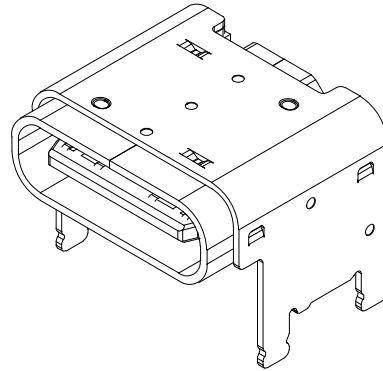
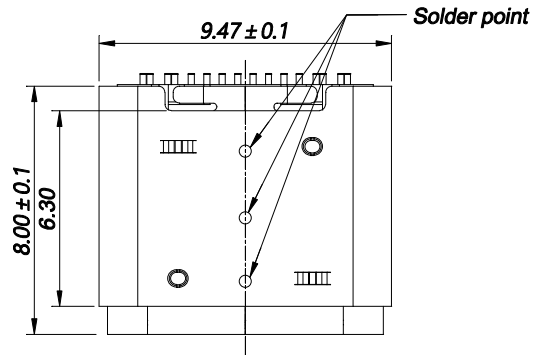


REV.	DESCRIPTION	NAME	DATE
A	NEWS ISSUE		2022/10/20



规格说明 Specifications:

1. 电气特性 Electrical:

额定电压 (Rated voltage): 20V DC

额定电流 (Rated current): 5A VBUS引脚;

1.25A用于GND引脚, 其他引脚为0.25A.

接触电阻 (Contact resistance): 40mΩ Max

测试条件: 20mv, 100mA下测量.

绝缘电阻 (Insulation resistance): 100MΩ Min

耐电压 (Withstand Voltage): 100V AC

2. 机械性能 Mechanical:

插入力 (Mate force): 0.5-2.0Kg

拔出力 (Unmate force): 0.6-2.0Kg

插拔次数 (Durability): 10000 Cycles.

3. 材料 Material:

胶芯 (Housing): LCP UL94 V-0

端子 (Contact): C2680, T=0.2mm; 镍底, 镀金

外壳 (Shell): 不锈钢201-H 表面镀镍

4. 温度范围 (Temperature Range): -30°C to +80°C.

NO.	DESCRIPTION	MATERIAL	REMARKS	
5	OUTER SHELL	SUS304 T=0.25MM	NI 40u"MIN	1PCS
4	INNER SHELL	SUS304 T=0.30MM	NI 40u"MIN	1PCS
3	SHIELDING PLATE	SUS301 T=0.15MM	N/A	1PCS
2	CONTACT	C2680 T=0.15MM	Mating area 1u"Au Solder Tails:G/F Underplate:80u"Min Ni overall	2SET
1	INSERT MOLDING	LCP UL94V-0	BLACK	1PCS

TOLERANCE UNSPECIFIED

.0	±0.35
.00	±0.25
.000	±0.15
X.°	±1.00°

ASSEMBLY DRAWING



深圳市韩下电子有限公司

TITLE: USB TYPE C 16PIN,
板上垫高2.50mm(CH=4.05), 无翻边

DRAWN	黄彬	DATE	2022/10/20	SIZE: A4	UNIT: mm.	PART. NO:	HX TYPE-C 16P+2.5
CHECKED	张伟	DATE	2022/10/20	SCALE: 1:1	PROJECTION	⊕	REV.: A
APPROVED	罗小春	DATE	2022/10/20	DWG	PATH	C00-0000-0085	PATH 1/3