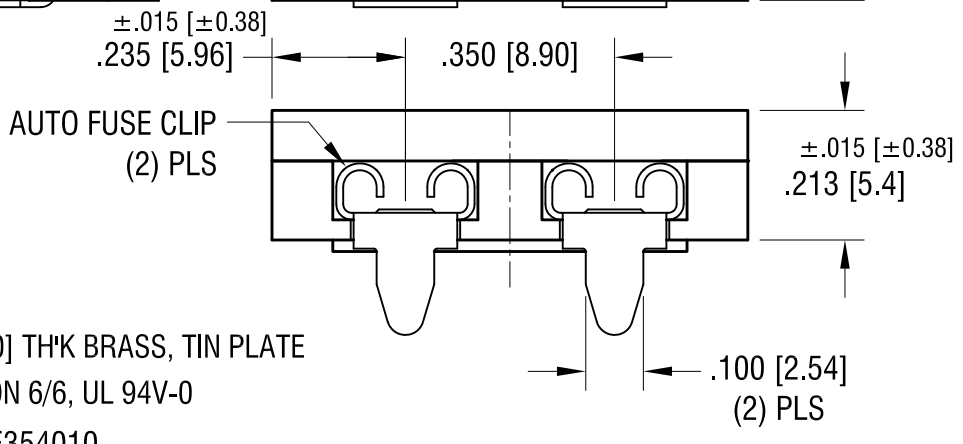
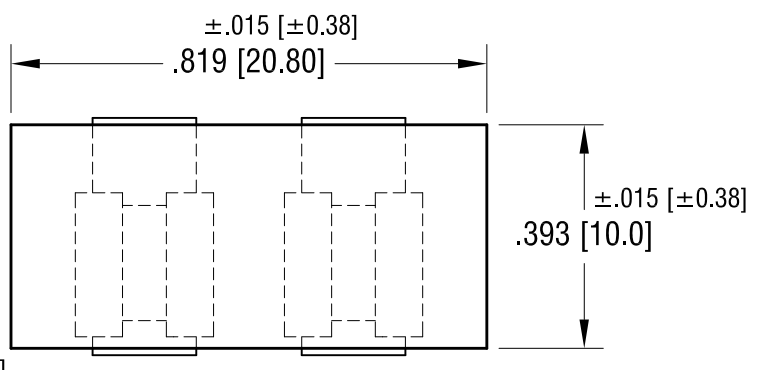
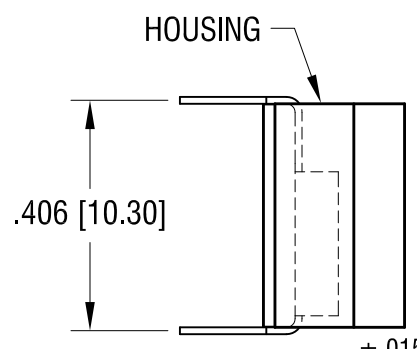
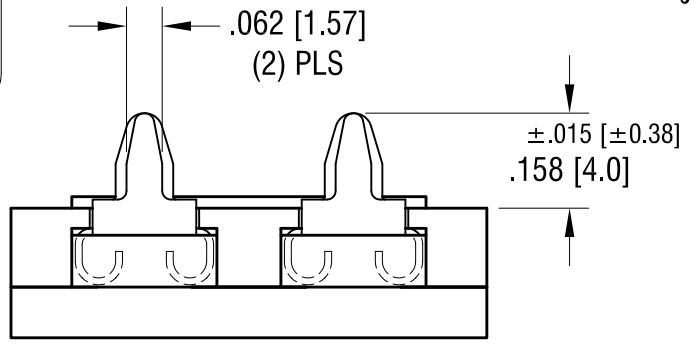
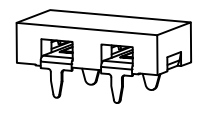
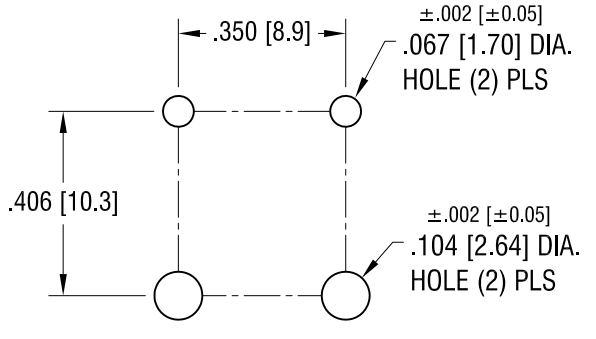


THIS DOCUMENT IS THE PROPERTY OF KEYSTONE ELECTRONICS CORP. AND SHALL NOT BE REPRODUCED, DISTRIBUTED OR USED AS A BASIS FOR MANUFACTURE WITHOUT PRIOR WRITTEN PERMISSION FROM KEYSTONE ELECTRONICS CORP.

MOUNTING DETAIL



NOTE:

1. CLIP: MAT'L: .012 [0.30] THK BRASS, TIN PLATE
2. HOUSING: MAT'L: NYLON 6/6, UL 94V-0
3. FILE NUMBER: E354010

KEYSTONE ELECTRONICS CORP.			
www.keyelco.com • NEW HYDE PARK, NY 11040 • Tel (516) 328-7500			
PART NAME HOR.STANDARD AUTO-BLADE FUSE HOLDER			
MATERIAL AS NOTED			
FINISH AS NOTED		DRN BY BOONE	DATE 12.28.06
		APP'D MR	SCALE 3X
TOLERANCES DECIMAL ANGULAR	INCH [MM] ± .005 [± 0.13] ± 1°	CODE C	DWG NO. 3550-2
UNLESS OTHERWISE SPECIFIED			

6.22.11	CHANGE AS PER ECN 11-086	B	
9.24.08	CHANGE AS PER ECN 08-164	A	
DATE	DESCRIPTION	REV.	