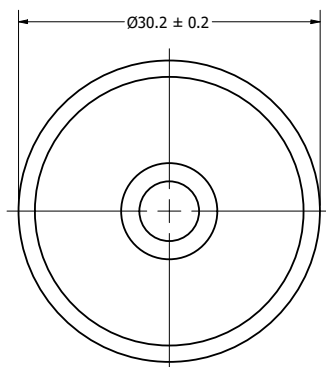
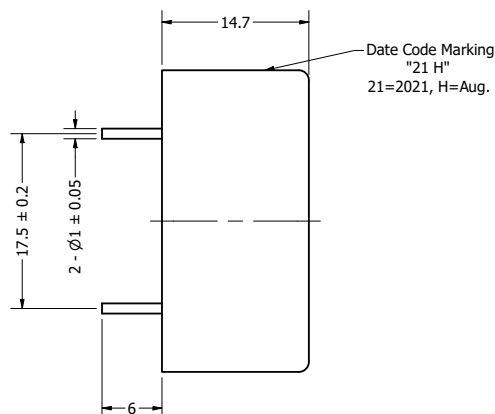


| | | |
|---|-----------------|-----------|
| Part Number: | IP303012-1 | |
| | DRAWN | 8/9/2021 |
| | CJ | |
| | CHECKED | 8/10/2021 |
| | L.L. | |
| Description: | Piezo Indicator | APPROVED |
| | | J.S. |
| | | 8/10/2021 |
| <small>This document contains data proprietary to DB Unlimited. Any use or reproduction, in any form, without prior written permission of DB Unlimited is prohibited. All terms and conditions can be found at www.dbunlimitedco.com</small> | | |

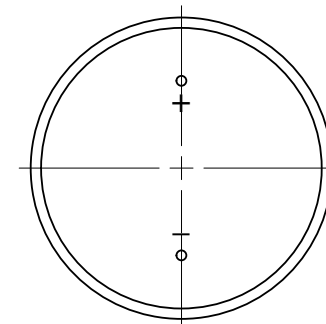
Top View



Side View



Bottom View



| Items | Specifications | Conditions |
|---------------------------|----------------|-------------|
| Min. Sound Pressure Level | 100 | dB (@ 10cm) |
| Tone | Single | |
| Resonant Frequency | 3,000 | Hz |
| Rated Voltage | 12 | V |
| Voltage Range | 3 ~ 20 | V |
| Max. Rated Current | 10 | mA |
| Storage Temperature | -30 ~ +70 | °C |
| Operating Temperature | -20 ~ +60 | °C |
| Connection Method | PC Pin | |
| Mount Type | Thru Hole | |
| Housing Material | ABS | |
| Weight | 7 | g |

REVISION HISTORY

| REV | DESCRIPTION | DATE | APPROVED |
|-----|---|------------|----------|
| | Released from Engineering | 10/21/2013 | J.S. |
| 1 | Updated drawing, temperature and weight | 8/10/2021 | L.L. |

NOTES

- 1) All dimensions are in mm unless otherwise noted
- 2) All tolerances are ± 0.5 mm unless otherwise noted
- 3) All parts meet RoHS
- 4) Subject to change or redrawn without notice