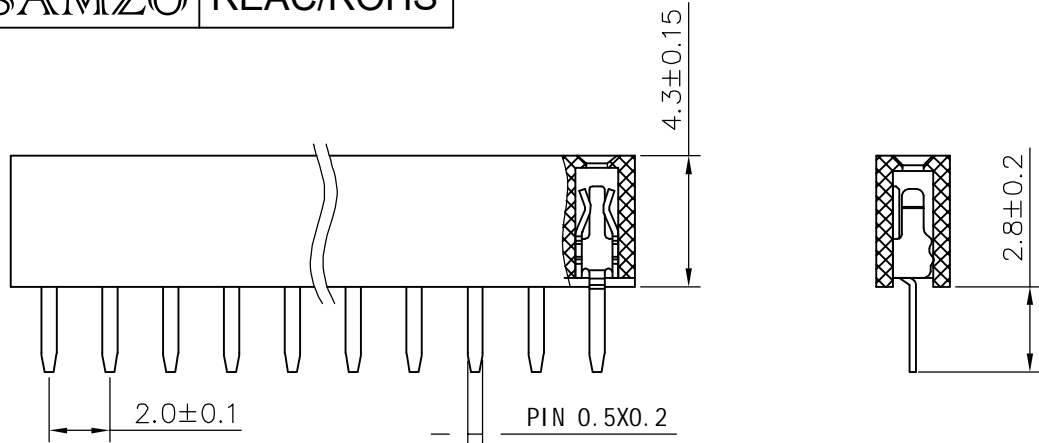


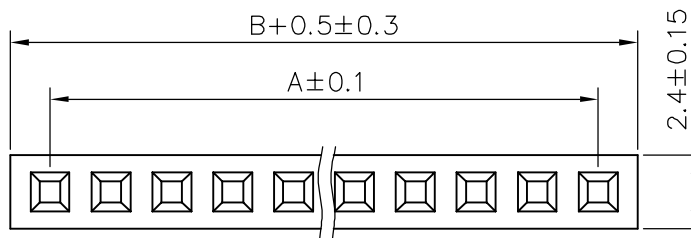
1 SAMZO 2 REAC/ROHS

REV	ECN NO	DESCRIPTION	DESIGN	APPROVAL	DATE
A1	NEW	Replace frame			2013.06.21

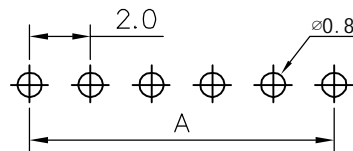


### SPECIFICATIONS

Current Rating: 1.5 Amps  
 Insulation Resistance: 1000M Ω Min  
 Contact Resistance: 20m Ω Max  
 Withstanding Voltage: AC 500V  
 Operation Temperature: -40° to +105°  
 Contact Material: Brass  
 Standard: PA6T  
 Insulator Material: Polyester (UL 94V-0)  
 Contact Plating: Gold Flash  
 Max. Processing Temp: 240° C for 30-60seconds  
 (260° C for 5 seconds)



- A. 名称: 5B-排母
- B. 间距: K-2.0mm
- C. 方式: L-180° DIP
- D. 塑高(H): 6-4.3mm
- E. 总长(L): 71-7.1mm
- F. 板针长(PC): 28-2.8
- G. 针数: 102-1\*2P (2-40PIN)
- H. 定位: W-无定位
- I. 物料编码: 0-常规



### Code Description

No. of	DIM. A	DIM. B	No. of	DIM. A	DIM. B	No. of	DIM. A	DIM. B	No. of	DIM. A	DIM. B
1	0.00	2.00	11	20.00	22.00	21	40.00	42.00	31	60.00	62.00
2	2.00	4.00	12	22.00	24.00	22	42.00	44.00	32	62.00	64.00
3	4.00	6.00	13	24.00	26.00	23	44.00	46.00	33	64.00	66.00
4	6.00	8.00	14	26.00	28.00	24	46.00	48.00	34	66.00	68.00
5	8.00	10.00	15	28.00	30.00	25	48.00	50.00	35	68.00	70.00
6	10.00	12.00	16	30.00	32.00	26	50.00	52.00	36	70.00	72.00
7	12.00	14.00	17	32.00	34.00	27	52.00	54.00	37	72.00	74.00
8	14.00	16.00	18	34.00	36.00	28	54.00	56.00	38	74.00	76.00
9	16.00	18.00	19	36.00	38.00	29	56.00	58.00	39	76.00	78.00
10	18.00	20.00	20	38.00	40.00	30	58.00	60.00	40	78.00	80.00

5B K L 6 - 71 28 - 1\*\* - W 0  
 A B C D E F G H I

### RECOMMEND P. C. B LAYOUT

PCB TOLERANCE: ±0.05 (TOP VIEW)

ITEM	DESCRIPTION	MATERIAL	QTY	FINISH/COLOR				
1	针	黄铜	N	镀金				
2	主体	PA6T	1	黑色	GENERAL TOLERANCE			
					≥0~2<	±0.15		
				DESIGN	WANGGUIFA	2018.06.12	≥2~5<	±0.25
				CHECKED	ZHENGUILAN	2018.06.12	≥0~2<	±0.15
				APPROVED	LILIANJIANG	2018.06.14	≥5	±0.35

FIRST VIEW

SCALE: 1:1 UNIT: mm

The copyright belongs to samzo parts [China] Co., Ltd. please use the material after samzo parts agree to authorize. The final right of interpretation belongs to samzo parts. WWW.KKK-JP.COM

TITLE: 2.0PF 1\*NP H4.3 PC2.8 180°DIP

DWG NO: 5BKL6-P712801

PART NO: 5BKL6180911

MODEL NO: 5BKL6-7128-1NP-W0

NAME: PIN-F CONNECTOR

## SAMZO COMPONENTS

Electronic switch and connector manufacturer