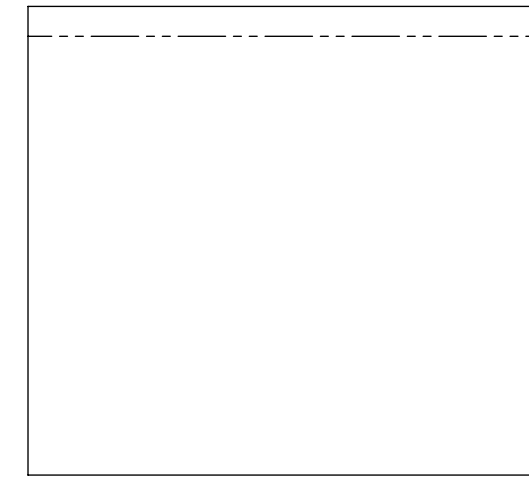
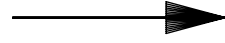
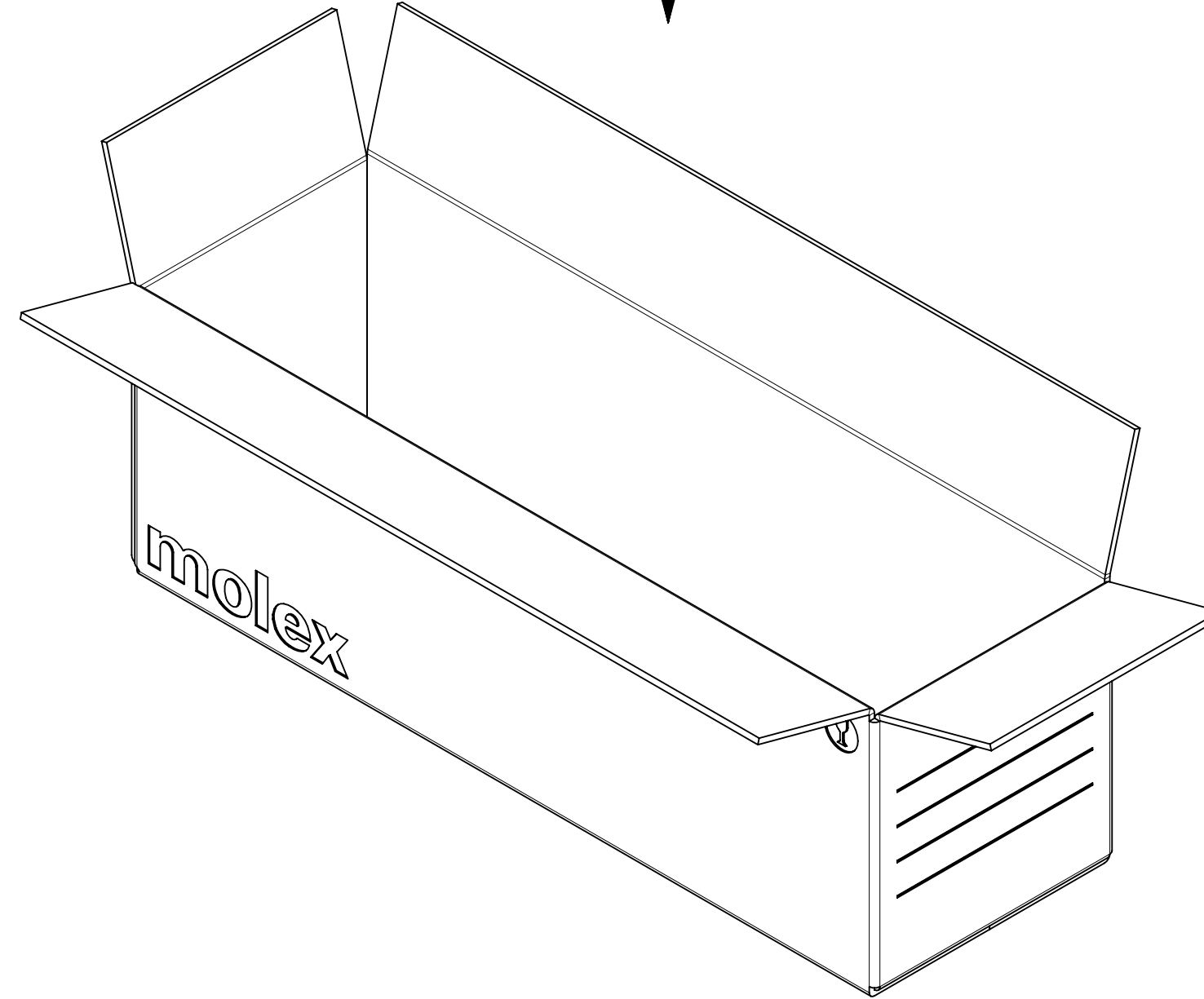
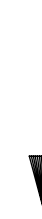


PART NO: 73415-0950
 PART NO: 73415-0952
 PART NO: 73415-0954
 PART NO: 73415-0955



500 SETS PER POLY BAG
 P/N: 89707-0001



4000 SETS PER OUTER
 CARTON BOX
 P/N: 96707-0002

FUNCTIONAL SYMBOLS	THIS DRAWING CONTAINS INFORMATION THAT IS PROPRIETARY TO MOLEX ELECTRONIC TECHNOLOGIES, LLC AND SHOULD NOT BE USED WITHOUT WRITTEN PERMISSION			
	DIMENSION UNITS	SCALE	CURRENT REV DESC: EWR-16355-A: CHANGE STATUS TO GENERAL MARKET FROM RESTRICTED CUSTOMER	
$\nabla_A = 0$	mm/INCH	NTS	molex PACKING SPEC FOR 73415-095 PART EWR-16355-A PRODUCT SALES DRAWING	
$\nabla_C = 0$	GENERAL TOLERANCES (UNLESS SPECIFIED)			
$\nabla_P = 0$	ANGULAR TOL $\pm 0.5^\circ$			
DIVISIONAL SYMBOLS	3 PLACES \pm			
	4 PLACES \pm		DOCUMENT NUMBER	
	2 PLACES \pm		734150950PKG	
	1 PLACE \pm		DOC TYPE	DOC PART
	0 PLACES \pm		PSD	000
DRAFT WHERE APPLICABLE MUST REMAIN WITHIN DIMENSIONS	THIRD ANGLE PROJECTION	DRAWING	SERIES	SHEET NUMBER
		C-SIZE	73415	1 OF 3

molex

PACKING SPEC FOR 73415-095 PART
 EWR-16355-A

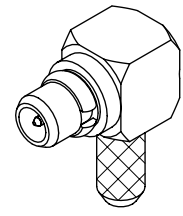
PRODUCT SALES DRAWING

DOCUMENT NUMBER DOC TYPE DOC PART REVISION

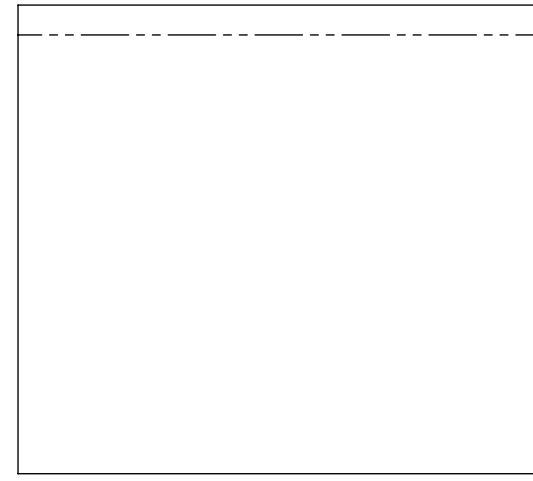
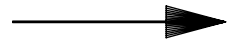
734150950PKG PSD 000 A1

MATERIAL NUMBER CUSTOMER SHEET NUMBER

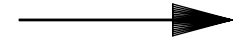
1 OF 3



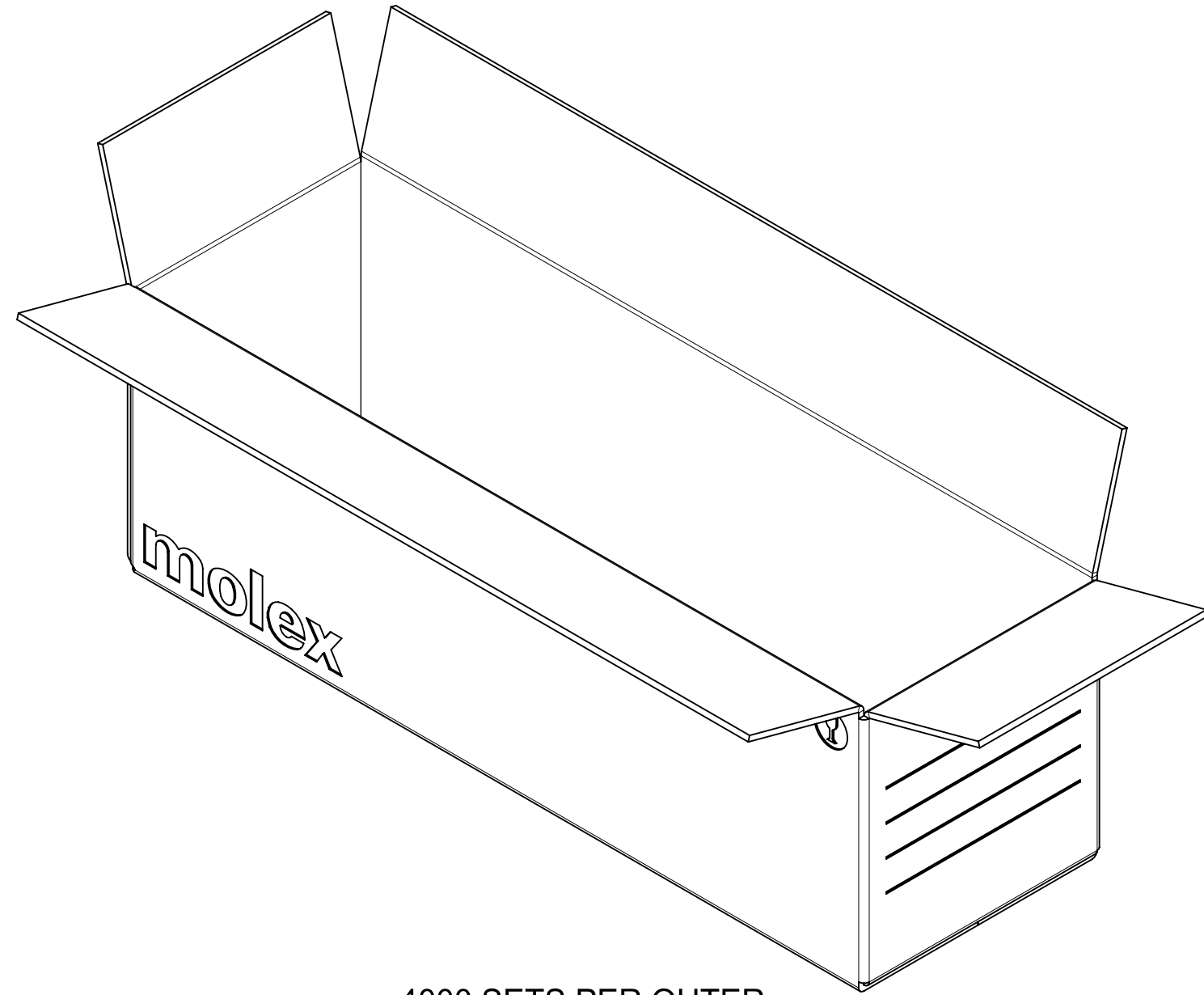
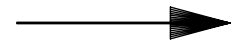
PART NO: 73415-0951



500 SETS PER POLY BAG
P/N: 89707-0001

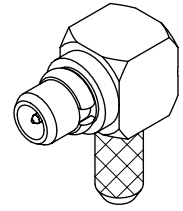


500 SETS PER POLY BAG
P/N: 89707-0176

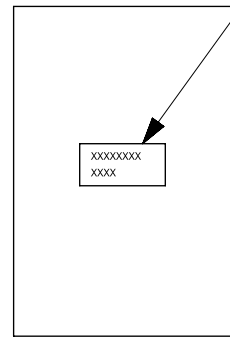
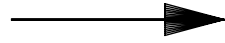


4000 SETS PER OUTER
CARTON BOX
P/N: 96707-0002

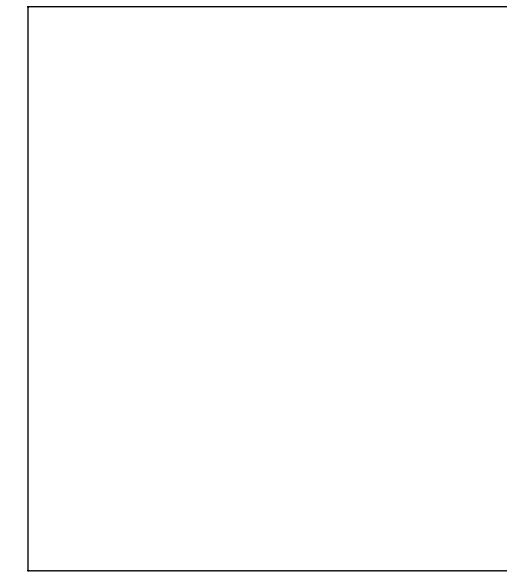
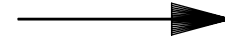
FUNCTIONAL SYMBOLS $\nabla_A = 0$ $\nabla_C = 0$ $\nabla_P = 0$ DIVISIONAL SYMBOLS 3 PLACES \pm 2 PLACES \pm 1 PLACE \pm 0 PLACES \pm	THIS DRAWING CONTAINS INFORMATION THAT IS PROPRIETARY TO MOLEX ELECTRONIC TECHNOLOGIES, LLC AND SHOULD NOT BE USED WITHOUT WRITTEN PERMISSION		CURRENT REV DESC: EWR-16355-A: CHANGE STATUS TO GENERAL MARKET FROM RESTRICTED CUSTOMER					
	DIMENSION UNITS	SCALE	molex PACKING SPEC FOR 73415-095 PART EWR-16355-A PRODUCT SALES DRAWING					
	mm/INCH	NTS						
	GENERAL TOLERANCES (UNLESS SPECIFIED)							
ANGULAR TOL \pm 0.5°		STATUS: Production						
4 PLACES \pm		DRWN: JasonYS Su	2024-05-21	DOCUMENT NUMBER	DOC TYPE	DOC PART	REVISION	
3 PLACES \pm		CHK'D: Darry Cheng	2024-05-21	734150950PKG		PSD	000	A1
2 PLACES \pm		APPR: Darry Cheng	2024-05-21	MATERIAL NUMBER		CUSTOMER		
1 PLACE \pm		DRAFT WHERE APPLICABLE MUST REMAIN WITHIN DIMENSIONS	THIRD ANGLE PROJECTION	DRAWING	SERIES	SHEET NUMBER		
0 PLACES \pm				C-SIZE	73415	2 OF 3		



PART NO: 73415-0953

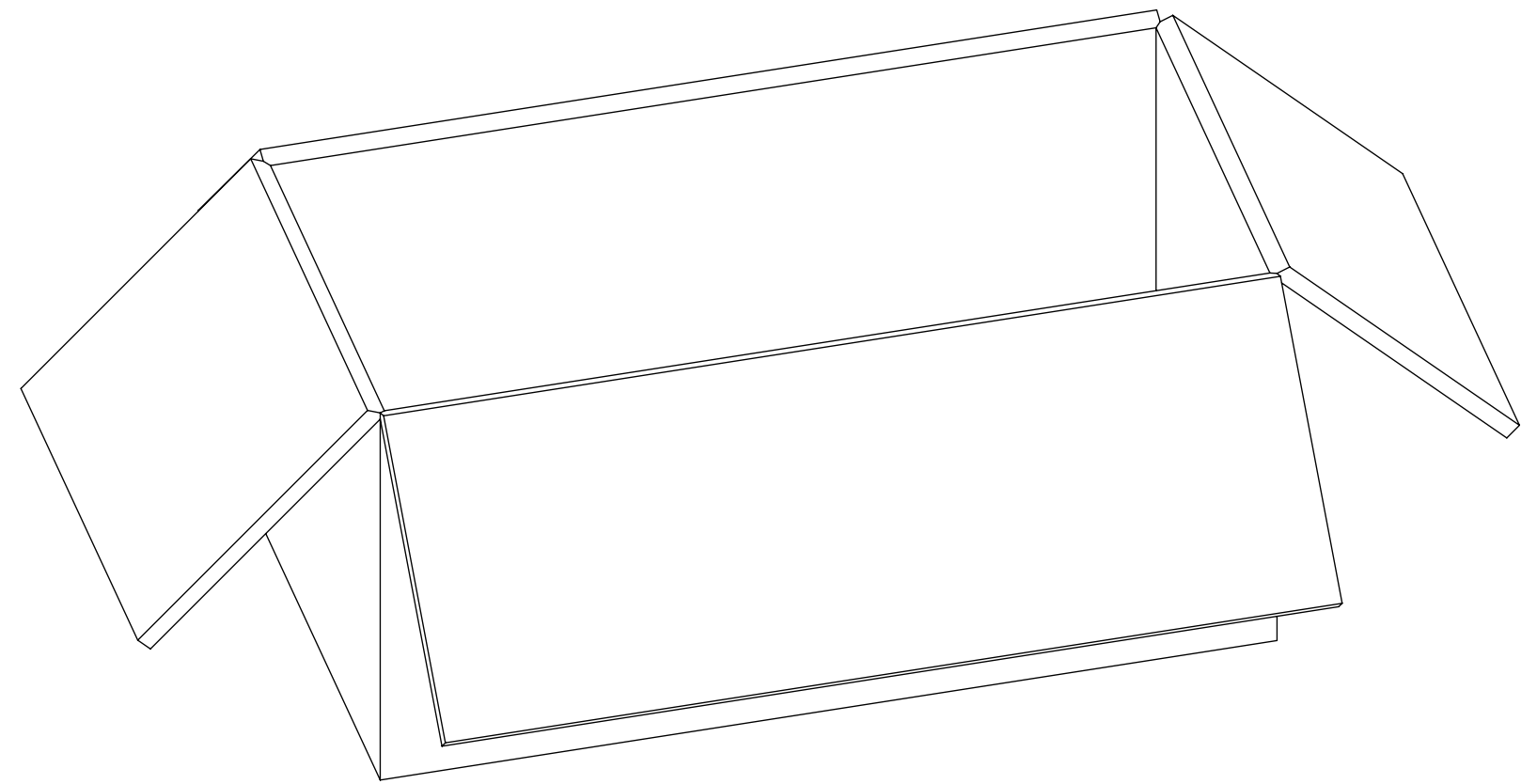
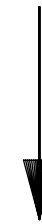


LABEL TEXT:
MOLEX P/N
DATE CODE(YMMM)



1 SET PER POLY BAG
POLY BAG PART NO. 89707-0317

50 SETS PER POLY BAG
POLY BAG PART NO. 89707-0174



500 SETS PER OUTER CARTON BOX
PART NO. 89499-9027

FUNCTIONAL SYMBOLS	THIS DRAWING CONTAINS INFORMATION THAT IS PROPRIETARY TO MOLEX ELECTRONIC TECHNOLOGIES, LLC AND SHOULD NOT BE USED WITHOUT WRITTEN PERMISSION			
	DIMENSION UNITS	SCALE	CURRENT REV DESC: EWR-16355-A: CHANGE STATUS TO GENERAL MARKET FROM RESTRICTED CUSTOMER	
$\frac{F}{A} = 0$	mm/INCH	NTS	<p>STATUS: Production</p> <p>DRWN: JasonYS Su 2024-05-21</p> <p>CHK'D: Darry Cheng 2024-05-21</p> <p>APPR: Darry Cheng 2024-05-21</p>	
$\frac{F}{C} = 0$	GENERAL TOLERANCES (UNLESS SPECIFIED)			
$\frac{F}{P} = 0$	ANGULAR TOL $\pm 0.5^\circ$			
DIVISIONAL SYMBOLS	DRAFT WHERE APPLICABLE MUST REMAIN WITHIN DIMENSIONS			
	4 PLACES \pm		THIRD ANGLE PROJECTION	DRAWING
	3 PLACES \pm			C-SIZE
	2 PLACES \pm			SERIES
	1 PLACE \pm			73415
	0 PLACES \pm			
		DOCUMENT NUMBER		DOC TYPE
		734150950PKG		PSD
		MATERIAL NUMBER		DOC PART
				000
		CUSTOMER		REVISION
				A1
		SHEET NUMBER		
				3 OF 3

molex

PACKING SPEC FOR 73415-095 PART
EWR-16355-A

PRODUCT SALES DRAWING

734150950PKG

PSD 000 A1

3 OF 3

MATERIALS AND FINISHES:

HOUSING: ZINC ALLOY / PLATED SEE TABLE

CENTER CONTACT: BRASS / PLATED GOLD

INSULATOR: TEFLON

OUTER CONTACT: BERYLLIUM COPPER / PLATED SEE TABLE

FERRULE: BRASS / PLATED SEE TABLE

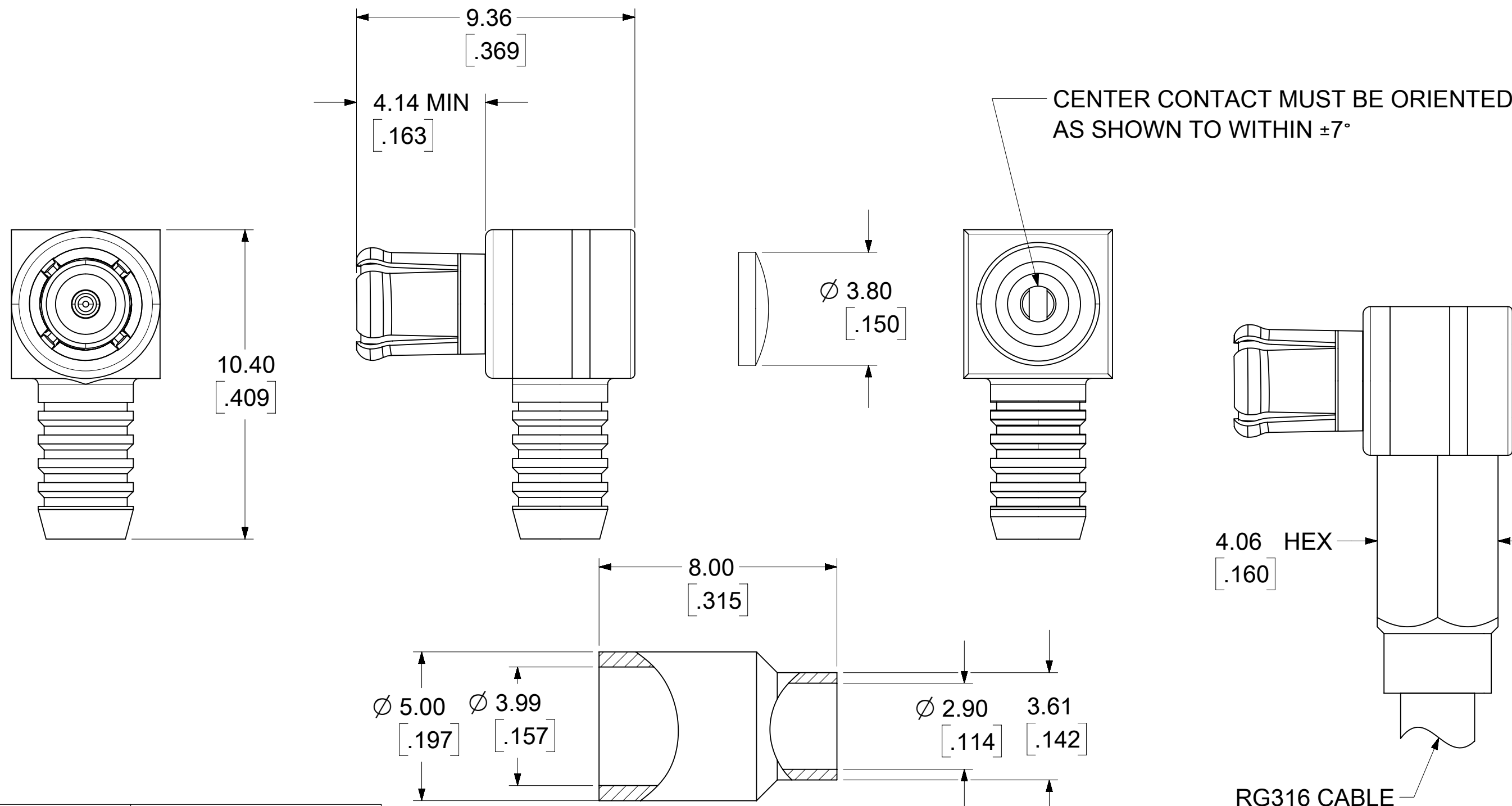
CAP: STAINLESS STEEL (FOR 73366-0010/-0019)
PASSIVATED

CAP: BRASS (FOR 73366-0011/-0012/-0017/-6350)
PLATED GOLD

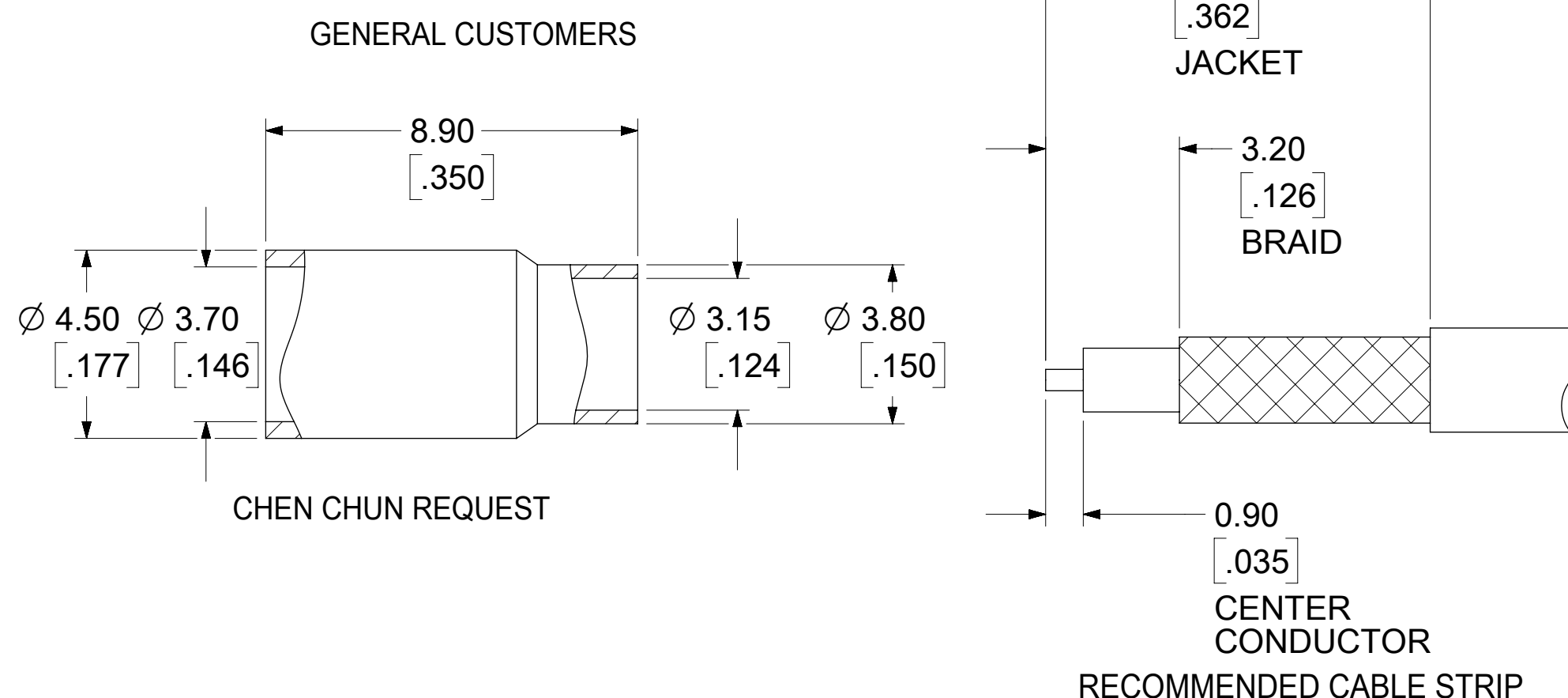
NOTE:

73366-0011'S FERRULE FOR GENERAL CUSTOMERS

73366-0012'S FERRULE FOR CHEN CHUN REQUEST



73366-6350	GOLD PLATING, BULK PACK	GOLD 30μ-in	GOLD 30μ-in
73366-0019	NICKEL PLATING, BULK PACK	NICKEL 100μ-in	GOLD 10μ-in
73366-0018	BULK, 73366-0010 W/O FERRULE	GOLD 5μ-in	GOLD 10μ-in
73366-0017	GOLD PLATING, BULK PACK	GOLD 5μ-in	GOLD 10μ-in
73366-0016	73366-0012, SMALL TRAY	GOLD 5μ-in	GOLD 10μ-in
73366-0015	73366-0011, SMALL TRAY	GOLD 5μ-in	GOLD 10μ-in
73366-0014	73366-0010, SMALL TRAY	GOLD 5μ-in	GOLD 10μ-in
73366-0013	1 PIECE 73366-0010 PER BAG	GOLD 5μ-in	GOLD 10μ-in
73366-0012	GOLD PLATING, BULK PACK	GOLD 5μ-in	GOLD 10μ-in
73366-0011	GOLD PLATING, BULK PACK	GOLD 5μ-in	GOLD 10μ-in
73366-0010	NICKEL PLATING, BULK PACK	GOLD 5μ-in	GOLD 10μ-in
PART NO.	BODY PLATING & PACKAGING	OUTER CONTACT	CENTER CONTACT



73392-0050	ASSEMBLY INSTRUCTIONS FOR 73366-0010/0011
PS-89675-1830	PRODUCT SPECIFICATION
SPECIFICATION	DESCRIPTION

FUNCTIONAL SYMBOLS	THIS DRAWING CONTAINS INFORMATION THAT IS PROPRIETARY TO MOLEX ELECTRONIC TECHNOLOGIES, LLC AND SHOULD NOT BE USED WITHOUT WRITTEN PERMISSION		
$\nabla_A = 0$ $\nabla_C = 0$ $\nabla_P = 0$	DIMENSION UNITS	SCALE	CURRENT REV DESC: ADD ASSEMBLY INSTRUCTION NOTE PER EWR15198-A
	HYBRID	NTS	
	GENERAL TOLERANCES (UNLESS SPECIFIED)		
	ANGULAR TOL $\pm 2.0^\circ$		
DIVISIONAL SYMBOLS	4 PLACES	\pm	EC NO: 706398
	3 PLACES	\pm	DRWN: CWEI02 2022/05/11
	2 PLACES	\pm	CHK'D: YCHENG 2022/05/17
	1 PLACE	\pm	APPR: YCHENG 2022/05/17
	0 PLACES	\pm	INITIAL REVISION:
			DRWN: YCHENG 2005/03/15
			APPR: MISEN 2003/02/21
DRAFT WHERE APPLICABLE MUST REMAIN WITHIN DIMENSIONS	THIRD ANGLE PROJECTION	DRAWING	SERIES
		C-SIZE	73366
DOCUMENT STATUS	P1	RELEASE DATE	2022/05/17 03:07:36
DOCUMENT NUMBER		CUSTOMER	SHEET NUMBER
SD-73366-001		GENERAL MARKET	1 OF 1
DOC TYPE		DOC PART	REVISION
PSD		001	G11

molex

MCX PLUG R/A RG316
50 OHMS MCX-PC/RA

PRODUCT CUSTOMER DRAWING