

# SUBCON 25/F-SH - D-SUB bus connector



2761619

<https://www.phoenixcontact.com/us/products/2761619>

Please be informed that the data shown in this PDF document is generated from our online catalog. Please find the complete data in the user documentation. Our general terms of use for downloads are valid.

D-SUB connector, 25-pos. socket, one 35° cable outlet, universal type for all systems, pin assignment: 1, 2, 3, ..., 24, 25 to screw connection terminal block



## Product description

The range covers SUBCON plugs for point-to-point connections with a cable infeed in 9, 15 and 25-pos. male or female versions. The optional fastening screw SUBCON-SHORT-SCREW is available as an accessory for narrow installation conditions. The screw is completely integrated into the housing by not having a knurl.

## Your advantages

- Assembly under field conditions
- Easy assembly thanks to knurled screws
- High level of EMC
- Flexibility in terms of cable entry selection
- Can be used universally
- Change to the D-SUB orientation through a reversible connection block

## Commercial data

|                                      |                     |
|--------------------------------------|---------------------|
| Item number                          | 2761619             |
| Packing unit                         | 1 pc                |
| Minimum order quantity               | 1 pc                |
| Sales key                            | DN10                |
| Product key                          | DNC511              |
| Catalog page                         | Page 451 (C-6-2019) |
| GTIN                                 | 4017918107987       |
| Weight per piece (including packing) | 96.6 g              |
| Weight per piece (excluding packing) | 96.6 g              |
| Customs tariff number                | 85366990            |
| Country of origin                    | DE                  |

# SUBCON 25/F-SH - D-SUB bus connector



2761619

<https://www.phoenixcontact.com/us/products/2761619>

## Technical data

### Notes

#### Note on application

|                     |                         |
|---------------------|-------------------------|
| Note on application | Only for industrial use |
|---------------------|-------------------------|

#### Utilization restriction

|            |   |
|------------|---|
| CCCEX note | Use in potentially explosive areas is not permitted in China. |
|------------|---|

### Product properties

|                |  |
|----------------|--|
| Product type   | Data plug  |
| MTTF           | 6706 Years (SN 29500 standard, temperature 25°C, operating cycle 21%)    |
|                | 1817 Years (SN 29500 standard, temperature 40°C, operating cycle 34.25%) |
|                | 155 Years (SN 29500 standard, temperature 40°C, operating cycle 100%)    |
| Pin assignment | All connections are 1:1 on the screw terminal block                      |

### Electrical properties

|                       |         |
|-----------------------|---------|
| Nominal voltage $U_N$ | 50 V DC |
| Nominal current $I_N$ | 100 mA  |
| Transmission medium   | Copper  |

### Connection data

#### D-SUB connection

|                   |              |
|-------------------|--------------|
| Connection method | D-SUB socket |
|-------------------|--------------|

#### PCB connection

|  |                      |
|--|----------------------|
| Connection method                          | Screw connection     |
| Stripping length                           | 5 mm                 |
| Conductor cross section, rigid min.        | 0.14 mm <sup>2</sup> |
| Conductor cross section, rigid max.        | 1.5 mm <sup>2</sup>  |
| Conductor cross section flexible min.      | 0.14 mm <sup>2</sup> |
| Conductor cross section flexible max.      | 1 mm <sup>2</sup>    |
| Single-wire/terminal point, rigid AWG min. | 26                   |
| Single-wire/terminal point, rigid AWG max. | 16                   |
| Min. AWG conductor cross section, flexible | 26                   |
| Max. AWG conductor cross section, flexible | 18                   |

### Interfaces

|        |        |
|--------|--------|
| Signal | Modbus |
|        | RS-232 |
|        | RS-422 |

# SUBCON 25/F-SH - D-SUB bus connector

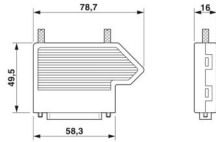


2761619

<https://www.phoenixcontact.com/us/products/2761619>

RS-485

## Dimensions

|                     |  |
|---------------------|--|
| Dimensional drawing |  |
| Width               | 16 mm  |
| Height              | 55 mm  |
| Length              | 79 mm  |

## Material specifications

|                    |                    |
|--------------------|--------------------|
| Material (Housing) | ABS (metal-plated) |
|--------------------|--------------------|

## Cable/line

|                         |                                    |
|-------------------------|------------------------------------|
| External cable diameter | 4 mm ... 10 mm (Incoming bus line) |
|-------------------------|------------------------------------|

## Mechanical properties

### Mechanical data

|                             |       |
|-----------------------------|-------|
| Insertion/withdrawal cycles | > 200 |
|-----------------------------|-------|

## Environmental and real-life conditions

### Ambient conditions

|  |  |
|--|--|
| Degree of protection                     | IP20   |
| Ambient temperature (operation)          | -20 °C ... 75 °C   |
| Ambient temperature (storage/transport)  | -25 °C ... 80 °C   |
| Altitude                                 | ≤ 5000 m (For restrictions, see the manufacturer's declaration for altitude operation) |
| Permissible humidity (operation)         | 10 % ... 95 % (non-condensing)   |
| Permissible humidity (storage/transport) | 5 % ... 95 % (non-condensing)  |

## Approvals

### ATEX

|                |   |
|----------------|---|
| Identification | Ⓔ II 3 G Ex ec IIC T4 Gc  |
| Certificate    | PxCIF15ATEX2761499X   |
| Note           | Please follow the special installation instructions in the documentation! |

### UKEX

|                |                          |
|----------------|--------------------------|
| Identification | Ⓔ II 3 G Ex ec IIC T4 Gc |
| Certificate    | PxCIMA22UKEX2761499X     |

### Corrosive gas test

|                |                                  |
|----------------|----------------------------------|
| Identification | ISA-S71.04-1985 G3 Harsh Group A |
|----------------|----------------------------------|

# SUBCON 25/F-SH - D-SUB bus connector



2761619

<https://www.phoenixcontact.com/us/products/2761619>

## Standards and regulations

Free from substances that could impair the application of coating

VDMA 24364:2018-05

# SUBCON 25/F-SH - D-SUB bus connector

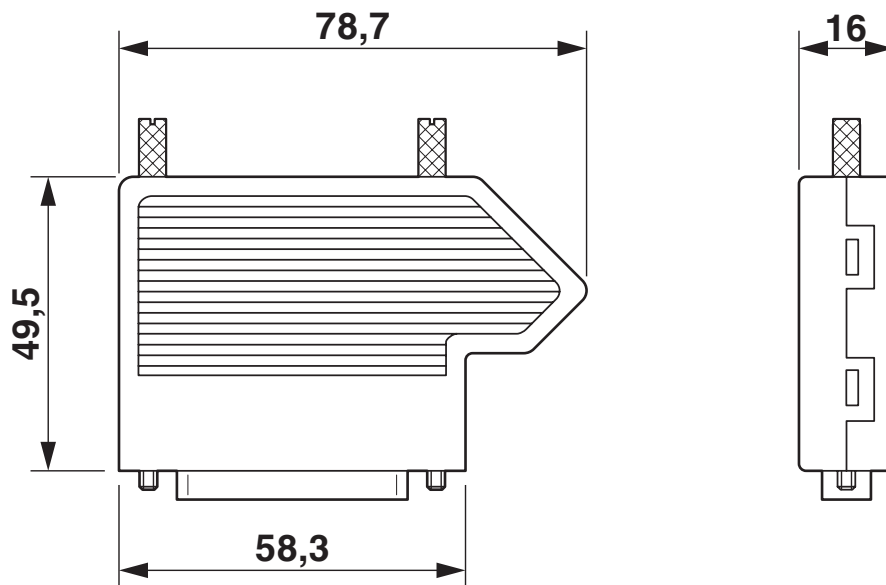
2761619

<https://www.phoenixcontact.com/us/products/2761619>



## Drawings

Dimensional drawing



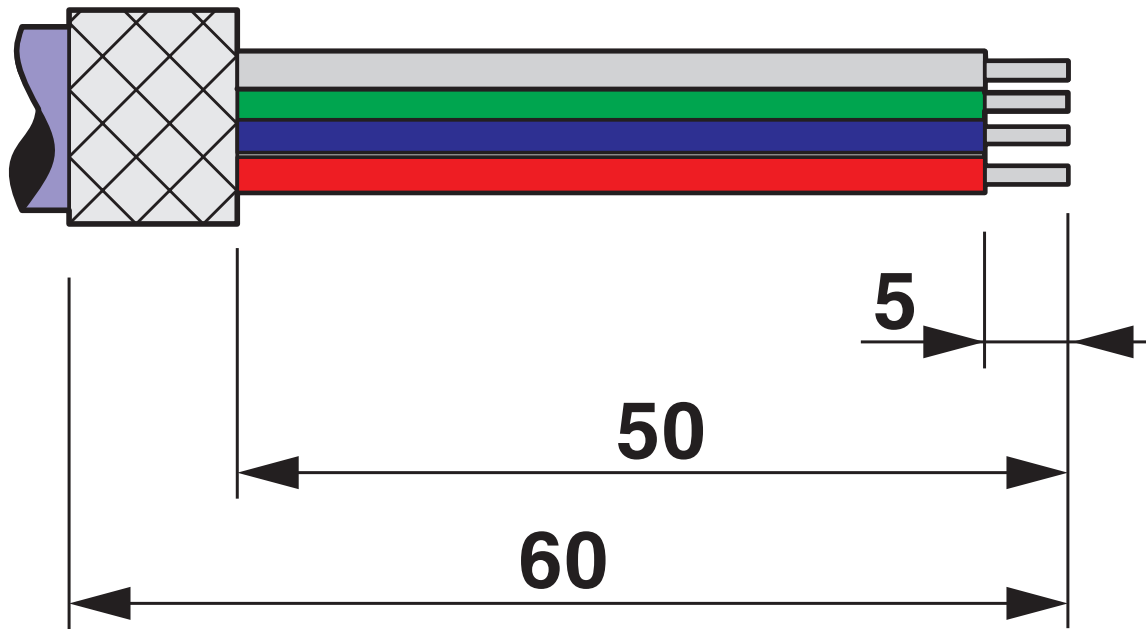
# SUBCON 25/F-SH - D-SUB bus connector



2761619

<https://www.phoenixcontact.com/us/products/2761619>

Schematic diagram



Stripping specifications

# SUBCON 25/F-SH - D-SUB bus connector



2761619

<https://www.phoenixcontact.com/us/products/2761619>

## Approvals

To download certificates, visit the product detail page: <https://www.phoenixcontact.com/us/products/2761619>



**cUL Recognized**

Approval ID: E238705



**UL Recognized**

Approval ID: E238705



**CSA**

Approval ID: 2437602

**cULus Recognized**

# SUBCON 25/F-SH - D-SUB bus connector



2761619

<https://www.phoenixcontact.com/us/products/2761619>

## Classifications

### ECLASS

|             |          |
|-------------|----------|
| ECLASS-11.0 | 27440302 |
| ECLASS-13.0 | 27440302 |
| ECLASS-12.0 | 27440302 |

### ETIM

|          |          |
|----------|----------|
| ETIM 9.0 | EC001132 |
|----------|----------|

### UNSPSC

|             |          |
|-------------|----------|
| UNSPSC 21.0 | 39121400 |
|-------------|----------|



# SUBCON 25/F-SH - D-SUB bus connector



2761619

<https://www.phoenixcontact.com/us/products/2761619>

## Environmental product compliance

### EU RoHS

|   |                    |
|---|--------------------|
| Fulfills EU RoHS substance requirements | Yes, No exemptions |
|---|--------------------|

### China RoHS

|  |  |
|--|--|
| Environment friendly use period (EFUP) | EFUP-E                                   |
|  | No hazardous substances above the limits |

### EU REACH SVHC

|                                     |                            |
|-------------------------------------|----------------------------|
| REACH candidate substance (CAS No.) | No substance above 0.1 wt% |
|-------------------------------------|----------------------------|

Phoenix Contact 2024 © - all rights reserved  
<https://www.phoenixcontact.com>

Phoenix Contact USA  
586 Fulling Mill Road  
Middletown, PA 17057, United States  
(+717) 944-1300  
[info@phoenixcon.com](mailto:info@phoenixcon.com)