

H5S:C5FF:GF3 - Housing

1415761

<https://www.phoenixcontact.com/us/products/1415761>

Please be informed that the data shown in this PDF document is generated from our online catalog. Please find the complete data in the user documentation. Our general terms of use for downloads are valid.



HEAVYPORT B48 panel mounting base with single screw lock, plastic protective cover, stainless steel front plate connections, 1x RJ45 CAT5e (female/female), 1x 120 V duplex outlet 5A - GFCI 20 A, and 1x 3 A circuit breaker

Your advantages

- Good shielding in the event of electromagnetic interference

Commercial data

Item number	1415761
Packing unit	1 pc
Sales key	BF69
Product key	BF7EGX
GTIN	4055626802510
Weight per piece (including packing)	22.22 g
Weight per piece (excluding packing)	22.22 g
Country of origin	US

H5S:C5FF:GF3 - Housing

1415761

<https://www.phoenixcontact.com/us/products/1415761>

Technical data

Product properties

Product type	Stackable housing set
Housing type	Panel mounting base
Application	Standard
Type	B48
Protective cover	yes

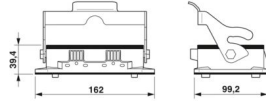
Electrical properties

Rated voltage (III/3)	max. 125 V AC (AC outlet, UL 498, UL 943, CSA C22.2 No. 42)
	max. 32 V DC (Circuit breaker)
	max. 250 V AC (Circuit breaker)
Rated current	max. 1.5 A DC (RJ45)
	20 A (AC outlet, UL 498, UL 943, CSA C22.2 No. 42)

Connection data

Tightening torque	1.5 ... 2 Nm
-------------------	--------------

Dimensions

Dimensional drawing	
Width	99.2 mm
Height	39.4 mm
Length	162 mm

Material specifications

Seal material	NBR, conductive
	NBR, conductive
Housing material	Die-cast aluminum, salt water resistant
Housing surface material	uncoated
Material, protective cover	PA
Locking latch material	Stainless steel

Connector

Contact insert design	with 1x RJ45 Cat 5E Ethernet Socket/socket, snap-in slot locking
	with 1x 120 V AC outlet 5 A GFCI 20 A
	with 1x 3 A circuit breaker Terminal 4.8 mm. Breaker requires slip-on sleeves: Item No. 3240541, 3240547, or 3240538

Environmental and real-life conditions

H5S:C5FF:GF3 - Housing

1415761

<https://www.phoenixcontact.com/us/products/1415761>



Ambient conditions

Degree of protection	IP65
Impact strength	IK08
Ambient temperature (operation)	-40 °C ... 125 °C (Housing)

H5S:C5FF:GF3 - Housing

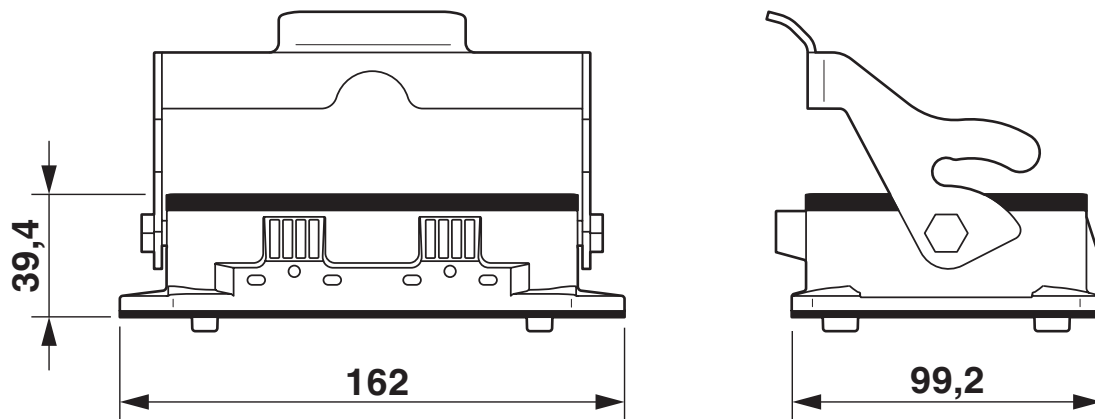
1415761

<https://www.phoenixcontact.com/us/products/1415761>



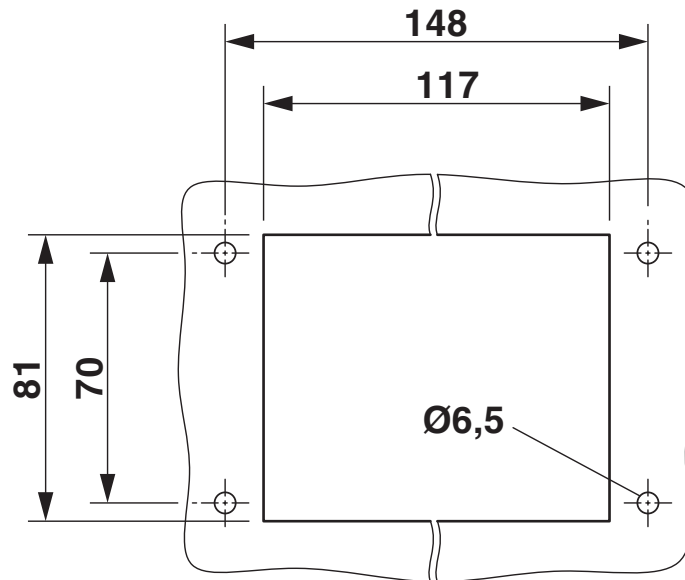
Drawings

Dimensional drawing



Dimensional drawing

Dimensional drawing



Mounting cutout

H5S:C5FF:GF3 - Housing

1415761

<https://www.phoenixcontact.com/us/products/1415761>



Classifications

ECLASS

ECLASS-11.0	27440101
ECLASS-12.0	27440113
ECLASS-13.0	27440113

H5S:C5FF:GF3 - Housing

1415761

<https://www.phoenixcontact.com/us/products/1415761>



Environmental product compliance

China RoHS

Environment friendly use period (EFUP)	EFUP-50
	An article-related China RoHS declaration table can be found in the download area for the respective article under "Manufacturer declaration". For all articles with EFUP-E, no China RoHS declaration table issued and required.

EU REACH SVHC

REACH candidate substance (CAS No.)	No substance above 0.1 wt%
-------------------------------------	----------------------------

H5S:C5FF:GF3 - Housing

1415761

<https://www.phoenixcontact.com/us/products/1415761>



Accessories

C-SCFFI 2,5/6,3X0,8 - Connector

3240547

<https://www.phoenixcontact.com/us/products/3240547>



Slip-on sleeve, fully isolated, blue, 1.5 ... 2.5 mm², for plug 6.3 x 0.8 mm

C-SCFFI 6/6,3X0,8 - Connector

3240541

<https://www.phoenixcontact.com/us/products/3240541>



Slip-on sleeve, fully insulated, yellow, 4 ... 6 mm², for 6.3 x 0.8 mm plugs

H5S:C5FF:GF3 - Housing

1415761

<https://www.phoenixcontact.com/us/products/1415761>



C-SCFFI 1,5/6,3X0,8 - Connector

3240538

<https://www.phoenixcontact.com/us/products/3240538>



Slip-on sleeve, fully isolated, red, 0.5 ... 1.5 mm², for plug 6.3 x 0.8 mm

Phoenix Contact 2024 © - all rights reserved

<https://www.phoenixcontact.com>

Phoenix Contact USA
586 Fulling Mill Road
Middletown, PA 17057, United States
(+717) 944-1300
info@phoenixcon.com