



Part Number : [1731120062](#)

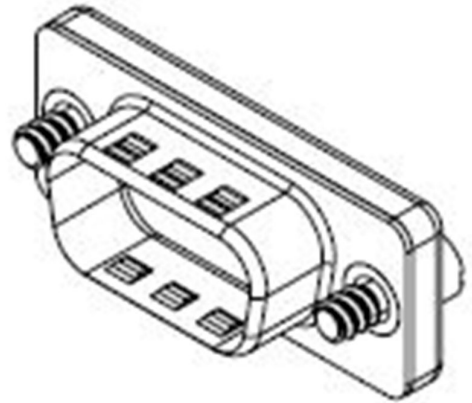
Product Description : FCT Metal Dust Cap for Size 3 Female D-sub, #4-40 Thread Screws

Series Number : 173112

Status : Active

Product Category : D-Sub Accessories

Engineering Number : FSSK3P




Documents & Resources

Specifications

[1731120002-PK-000.pdf](#)

Product Environment Compliance

Compliance

GADSL/IMDS	Not Relevant
China RoHS	
EU ELV	Not Relevant
Low-Halogen Status	Not Reviewed per IEC 61249-2-21
REACH SVHC	Contains Lead per D(2024)4144-DC (27 June 2024)
EU RoHS	Compliant with Exemption 6(c) per EU 2015/863

Multiple Part Product Compliance Statements

- Eu RoHS
- REACH SVHC
- Low-Halogen

Multiple Part Industry Compliance Documents

- IPC 1752A Class C
- IPC 1752A Class D
- Molex Product Compliance Declaration
- IEC-62474

Part Details

General

Status	Active
Category	D-Sub Accessories
Series	173112
Description	FCT Metal Dust Cap for Size 3 Female D-sub, #4-40 Thread Screws
IP Rating	IP20
Magnetic	Yes
Product Name	FCT Products
Type	Connector or Backshell
UPC	889056323048

Electrical

Shield Type	Solid Metal
Shielded	Yes

Physical

Accessory Type	Dust Cap
Material - Body	Zinc Die Cast
Material - Screw	Tin-plated Brass
Net Weight	14.000/g
Number of Screws	2
Packaging Type	Bag
Plating - Dust Cap	Nickel
Thread Size	4-40 UNC
Thread Type	Standard

Use with Part(s)

Description	Part Number
-------------	-------------

Use With	FCT D-Sub, Size 3, Female
----------	---------------------------

This document was generated on Oct 31, 2024