



**TERMI-FOIL**

TE Internal #: 52584

Barrel / Tap, Type 3, Mating Tab Width 8.41 mm [.33 in], Tin Plating, Box, 22 – 16 AWG Wire Size, .3 – 1.4 mm<sup>2</sup> Wire Size, TERMI-FOIL, Foil Terminals

[View on TE.com >](#)

Terminals & Splices > Foil Terminals



Foil Terminal Type: **Barrel, Tap**

Foil Terminal Body Type: **Type 3**

Mating Tab Width: **8.41 mm [.33 in]**

Accepts Foil Thickness (Max): **.76 mm [.03 in]**

Terminal Plating Material: **Tin**

**Features**

**Body Features**

Foil Terminal Body Type	Type 3
-------------------------	--------

**Contact Features**

Foil Terminal Type	Barrel, Tap
Mating Tab Width	8.41 mm [.33 in]
Terminal Plating Material	Tin

**Termination Features**

Accepts Foil Thickness (Max)	.76 mm [.03 in]
------------------------------	-----------------

**Dimensions**

Wire Size	.3 – 1.4 mm <sup>2</sup>
-----------	--------------------------

**Usage Conditions**

Insulation Option	Uninsulated
Operating Temperature Range	150 °C [302 °F]

**Packaging Features**

--	--

Packaging Quantity	1000
--------------------	------

Packaging Method	Box
------------------	-----

## Product Compliance

[For compliance documentation, visit the product page on TE.com>](#)

EU RoHS Directive 2011/65/EU	Compliant
------------------------------	-----------

EU ELV Directive 2000/53/EC	Compliant
-----------------------------	-----------

China RoHS 2 Directive MIIT Order No 32, 2016	No Restricted Materials Above Threshold
---	---

EU REACH Regulation (EC) No. 1907/2006	Current ECHA Candidate List: JUNE 2024 (241) Candidate List Declared Against: JUNE 2024 (241) Does not contain REACH SVHC
--	---

Halogen Content	Low Halogen - Br, Cl, F, I < 900 ppm per homogenous material. Also BFR/CFR/PVC Free
-----------------	---

Solder Process Capability	Not applicable for solder process capability
---------------------------	--

### Product Compliance Disclaimer

This information is provided based on reasonable inquiry of our suppliers and represents our current actual knowledge based on the information they provided. This information is subject to change. The part numbers that TE has identified as EU RoHS compliant have a maximum concentration of 0.1% by weight in homogenous materials for lead, hexavalent chromium, mercury, PBB, PBDE, DBP, BBP, DEHP, DIBP, and 0.01% for cadmium, or qualify for an exemption to these limits as defined in the Annexes of Directive 2011/65/EU (RoHS2). Finished electrical and electronic equipment products will be CE marked as required by Directive 2011/65/EU. Components may not be CE marked. Additionally, the part numbers that TE has identified as EU ELV compliant have a maximum concentration of 0.1% by weight in homogenous materials for lead, hexavalent chromium, and mercury, and 0.01% for cadmium, or qualify for an exemption to these limits as defined in the Annexes of Directive 2000/53/EC (ELV). Regarding the REACH Regulation, the information TE provides on SVHC in articles for this part number is based on the latest European Chemicals Agency (ECHA) 'Guidance on requirements for substances in articles' posted at this URL: <https://echa.europa.eu/guidance-documents/guidance-on-reach>

## Also in the Series | **TERMI-FOIL**



Foil Terminals(23)

## Customers Also Bought



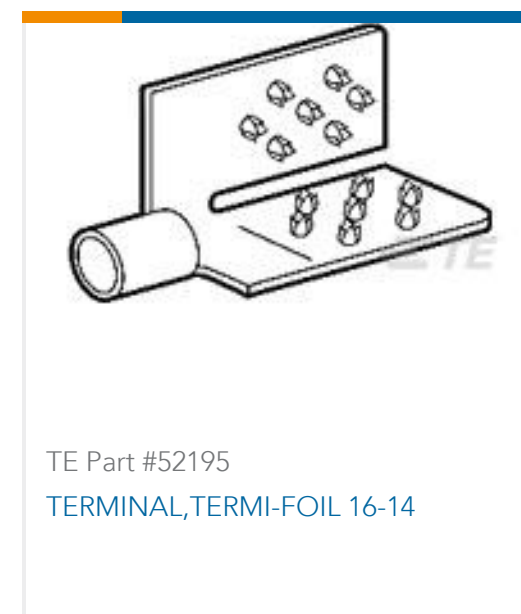
TE Part #5-917687-1  
2.5 SIGNAL D/LOCK PLUG HSG 3P  
(GWT)



TE Part #2823064-1  
M12-DUST CAP-FEMALE CONN-IP67-  
W/O SLEEVE



TE Part #329860  
TERMINAL, TERMI-FOIL 16-14



TE Part #52195  
TERMINAL, TERMI-FOIL 16-14



TE Part #1-1718645-1  
4POS, MCON 1.2 LL REC SEALED



TE Part #53264-2  
TERMINAL, TERMI-FOIL 14-12



TE Part #51943  
TAB, TERMI-FOIL END TAP TERMINAL



TE Part #2081377-3  
CA, FAKRA F TO M, RG174LL, NO SLIP,  
1000MM



TE Part #1326031-3  
2.8MM BLD, SEAL, 18AWG



TE Part #1-1718627-1  
AMP MCP 2.8 HSG. 3POS., ASS'Y

## Documents

### Product Drawings

[TERMINAL, TERMI-FOIL 22-16](#)

English

### CAD Files

Customer View Model

[ENG\\_CVM\\_CVM\\_52584\\_H.2d\\_dxf.zip](#)

English

### 3D PDF

3D

Customer View Model

[ENG\\_CVM\\_CVM\\_52584\\_H.3d\\_igs.zip](#)

English

Customer View Model

[ENG\\_CVM\\_CVM\\_52584\\_H.3d\\_stp.zip](#)

English

By downloading the CAD file I accept and agree to the [Terms and Conditions](#) of use.