

Product data sheet

Automation technology - sensors and actuators



Product description	M8 female angled panel mount connector, Contacts: 4, unshielded, dip-solder, IP67, UL
Area	M8 series 718
Part no.	99 3390 282 04

Mechanical operation	> 100 Mating cycles
Weight (g)	3.55
Customs tariff number	85369010

Electrical parameters

Rated voltage	60 V
Rated impulse voltage	1500 V
Rated current (40 °C)	4 A
Pollution degree	3
Overvoltage category	II
Insulating material group	II
EMC compliance	unshielded

Material

Contact body material	PA
Contact material	CuSn (bronze)
Contact plating	Au (gold)
REACH SVHC	CAS 7439-92-1 (Lead)
SCIP number	166a3270-c2ab-46ea-befc-a57030ec6eb9

Authorization/approvals

Approvals	UL
-----------	----

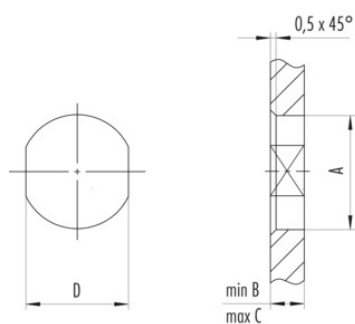
Classifications

eCl@ss 11.1	27-44-01-02
ETIM 7.0	EC002635

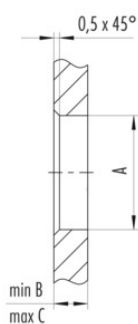
Product description **M8 female angled panel mount connector, Contacts: 4, unshielded, dip-solder, IP67, UL**
 Area **M8 series 718**
 Part no. **99 3390 282 04**

Assembly instructions / Panel cut-out

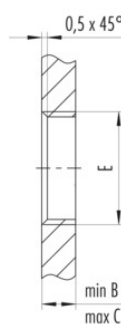
1st Installation proposal
With flats as anti-rotation device



2nd Installation proposal
With bore hole



3rd Installation proposal
With thread to screw in



Thread E	A	B	C	D
M8 x 0,5	8,1	2,5	3,5	7,1
M8 x 1	8,1	2,5	3,5	7,1
M10 x 0,75	10,1	2,5	5,0	9,1

Tightening torque

M8 x 0,5 0,8 Nm
 M8 x 1/M10 x 0,75 1,0 Nm

Product description	M8 female angled panel mount connector, Contacts: 4, unshielded, dip-solder, IP67, UL
Area	M8 series 718
Part no.	99 3390 282 04

Security notices

The connectors have been developed for applications in plant engineering, control and electrical equipment construction. The user is responsible for checking whether the connectors can also be used in other areas of application.

Plug connectors with enclosure protection IP 67 and IP 68 are not suitable for use under water. When used outdoors, the plug connectors must be protected separately against corrosion. For further information on the IP protection classes, please refer to the "Technical Information" download centre.