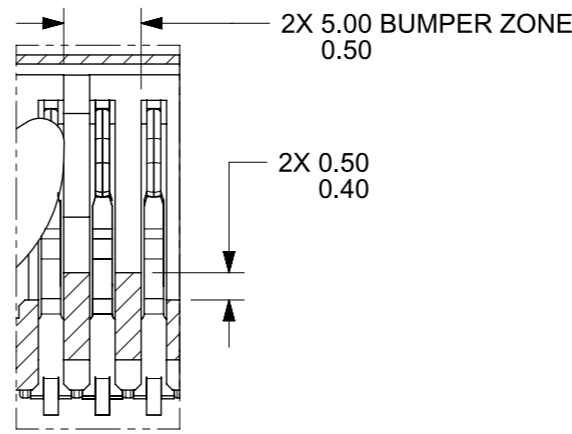


NOTES:

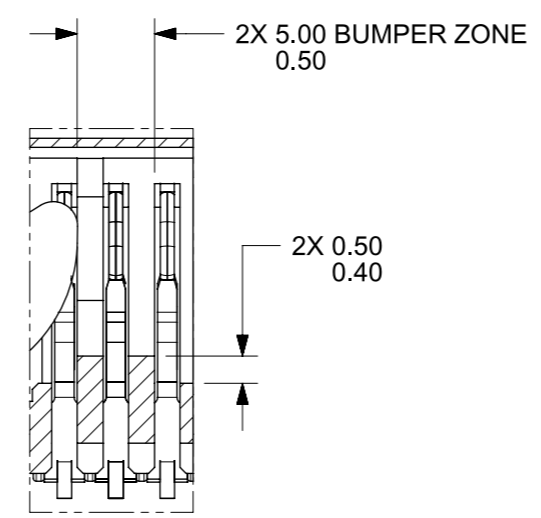
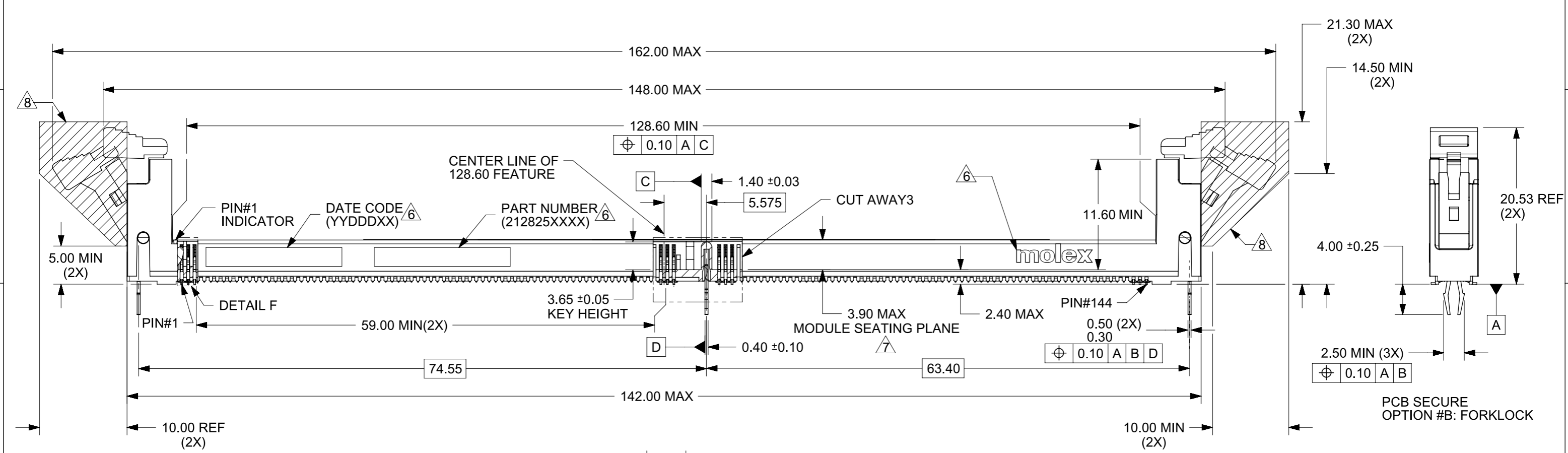
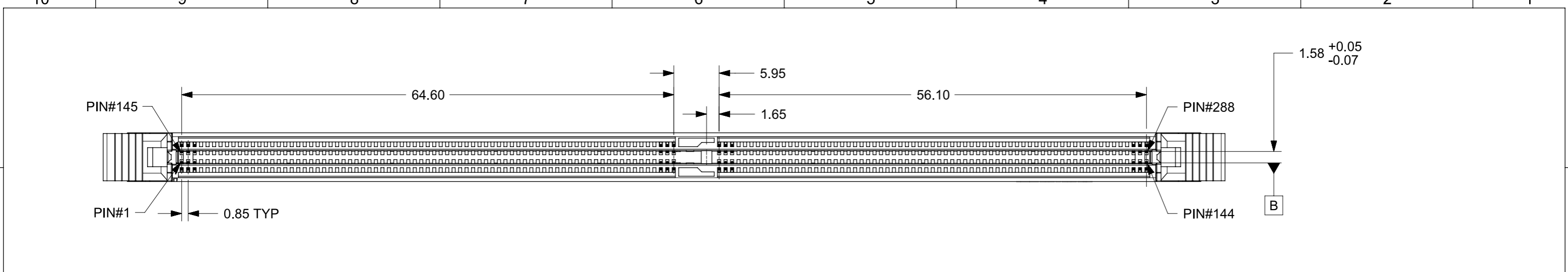
- MATERIAL : HOUSING - HALOGEN FREE HIGH TEMP POLYAMIDE, GLASS FILLED, UL94V-0. COLOUR : SEE TABLE ON SHEET 6~7. LATCH - HALOGEN FREE HIGH TEMP POLYAMIDE, GLASS FILLED, UL94V-0. COLOUR : SEE TABLE ON SHEET 6. TERMINAL : COPPER ALLOY. METALTAB: COPPER ALLOY.
- FINISHES - SEE TABLE ON SHEET 6.
- PRODUCT SPECIFICATION : SEE TABLE ON SHEET 6.
- PACKAGING SPECIFICATION: PRODUCT SHALL BE PACKED IN TRAY, SEE SHEET 6
- CARD SLOT ACCEPTS 1.40±0.10MM MODULE THICKNESS (MEASURED OVER P.C. PADS).
- MOLEX LOGO, DATE & PART NO. INDICATED ON HOUSING.
- MODULE SEATING PLANE.
- KEEP OUT ZONE RESERVED FOR LATCH.
- KEEP OUT AREA IS THE AREA WHERE THE CONNECTOR (INCLUDES LATCHES IN OPENING POSITION) IS MOUNTED ON THE PCB.
- REFER TO AS-78730-001 FOR CONNECTOR APPLICATION GUIDELINE.
- REFER TO AS-78730-002 FOR PCB ROUTING RECOMMENDATIONS.

DETAIL E : BUMPER ZONE



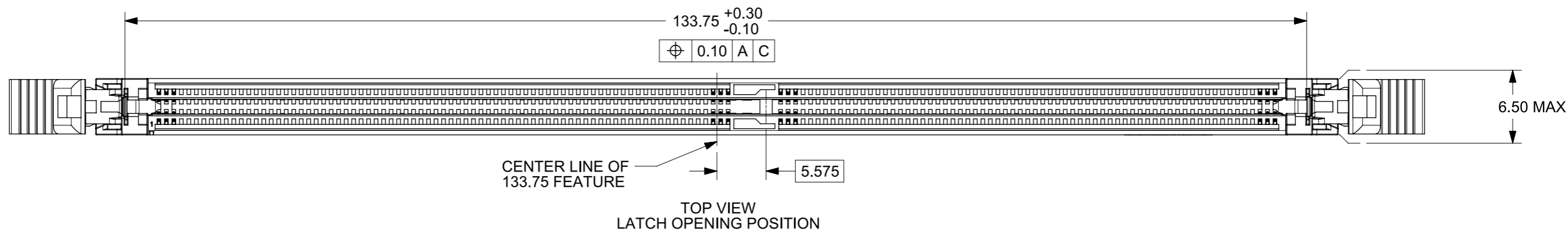
THIS DESIGN IS BASED ON DESIGN OBJECTIVES AND IS STRICTLY TENTATIVE. IT MAY CHANGE BASED ON RESULTS OF ADDITIONAL DESIGN REVIEWS AND VERIFICATIONS.

THIS DRAWING CONTAINS INFORMATION THAT IS PROPRIETARY TO MOLEX ELECTRONIC TECHNOLOGIES, LLC AND SHOULD NOT BE USED WITHOUT WRITTEN PERMISSION		CURRENT REV DESC: ADD 2 OPTIONS		<b>molex</b>				
DIMENSION UNITS	SCALE	EC NO: 744132						DDR4 DIMM, 0.85MM PITCH 288CKTS, VERT. SMT
mm	NTS	DRWN: LIMONL 2022/12/07		PRODUCT CUSTOMER DRAWING				
GENERAL TOLERANCES (UNLESS SPECIFIED)		CHK'D: LIMONL 2023/06/13		DOCUMENT NUMBER		DOC TYPE	DOC PART	REVISION
ANGULAR TOL	± 3.0 °	APPR: CTEH 2023/06/14		2128250001		PSD	000	A6
4 PLACES	±	INITIAL REVISION:		MATERIAL NUMBER		CUSTOMER		SHEET NUMBER
3 PLACES	±	DRWN: SKANG 2019/04/10		SEE TABLE		GENERAL MARKET		1 OF 7
2 PLACES	± 0.2	APPR: SHLENI 2019/04/24		SERIES		THIRD ANGLE PROJECTION		
1 PLACE	±	DRAFT WHERE APPLICABLE MUST REMAIN WITHIN DIMENSIONS		A3-SIZE		DRAWING		
0 PLACES	±			212825				

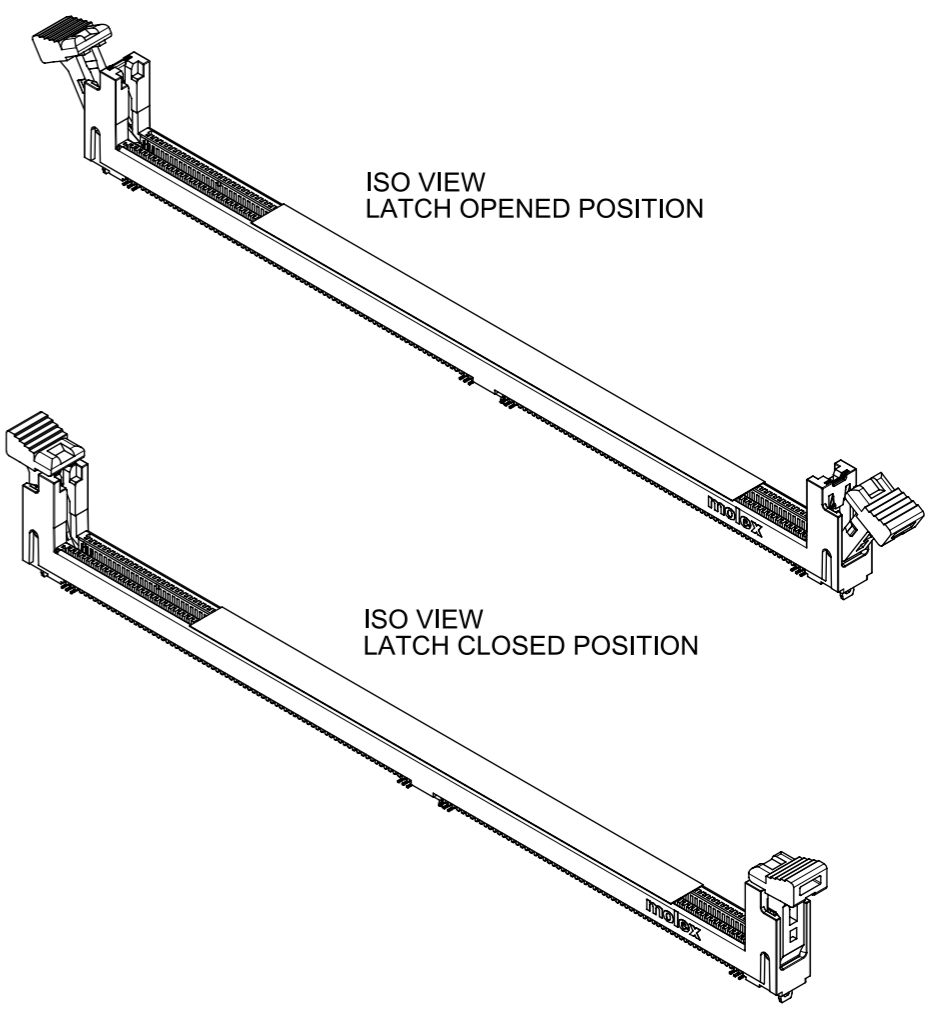
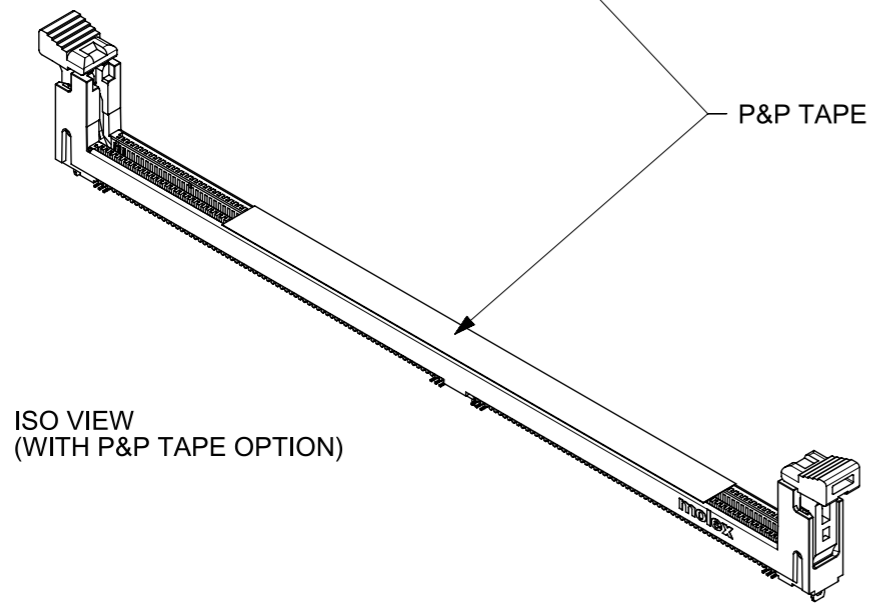
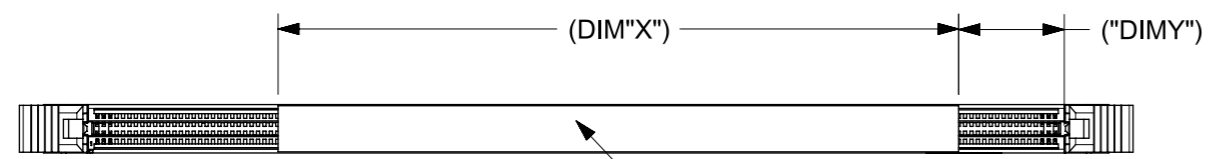


THIS DESIGN IS BASED ON DESIGN OBJECTIVES AND IS STRICTLY TENTATIVE. IT MAY CHANGE BASED ON RESULTS OF ADDITIONAL DESIGN REVIEWS AND VERIFICATIONS.

THIS DRAWING CONTAINS INFORMATION THAT IS PROPRIETARY TO MOLEX ELECTRONIC TECHNOLOGIES, LLC AND SHOULD NOT BE USED WITHOUT WRITTEN PERMISSION											
DIMENSION UNITS <b>mm</b>		SCALE <b>NTS</b>		CURRENT REV DESC: ADD 2 OPTIONS						<b>molex</b>	
GENERAL TOLERANCES (UNLESS SPECIFIED)				EC NO: 744132				DDR4 DIMM, 0.85MM PITCH 288CKTS, VERT. SMT			
ANGULAR TOL ± 3.0°				4 PLACES ±				DRWN: LIMONL 2022/12/07		PRODUCT CUSTOMER DRAWING	
3 PLACES ±				CHK'D: LIMONL 2023/06/13				APPR: CTEH 2023/06/14		DOCUMENT NUMBER	
2 PLACES ± 0.2				INITIAL REVISION:				2019/04/10		2128250001	
1 PLACE ±				DRWN: SKANG 2019/04/10				APPR: SHLENI 2019/04/24		PSD 000 A6	
0 PLACES ±				DRAFT WHERE APPLICABLE MUST REMAIN WITHIN DIMENSIONS				THIRD ANGLE PROJECTION		DRAWING	
A3-SIZE				SERIES				MATERIAL NUMBER		CUSTOMER	
212825				SEE TABLE				GENERAL MARKET		SHEET NUMBER	
2 OF 7											

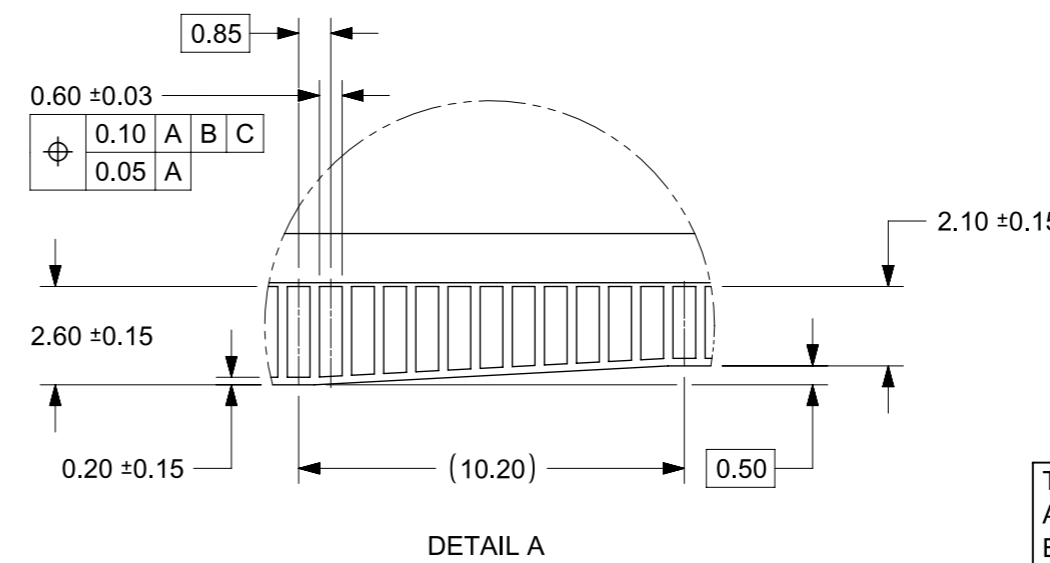
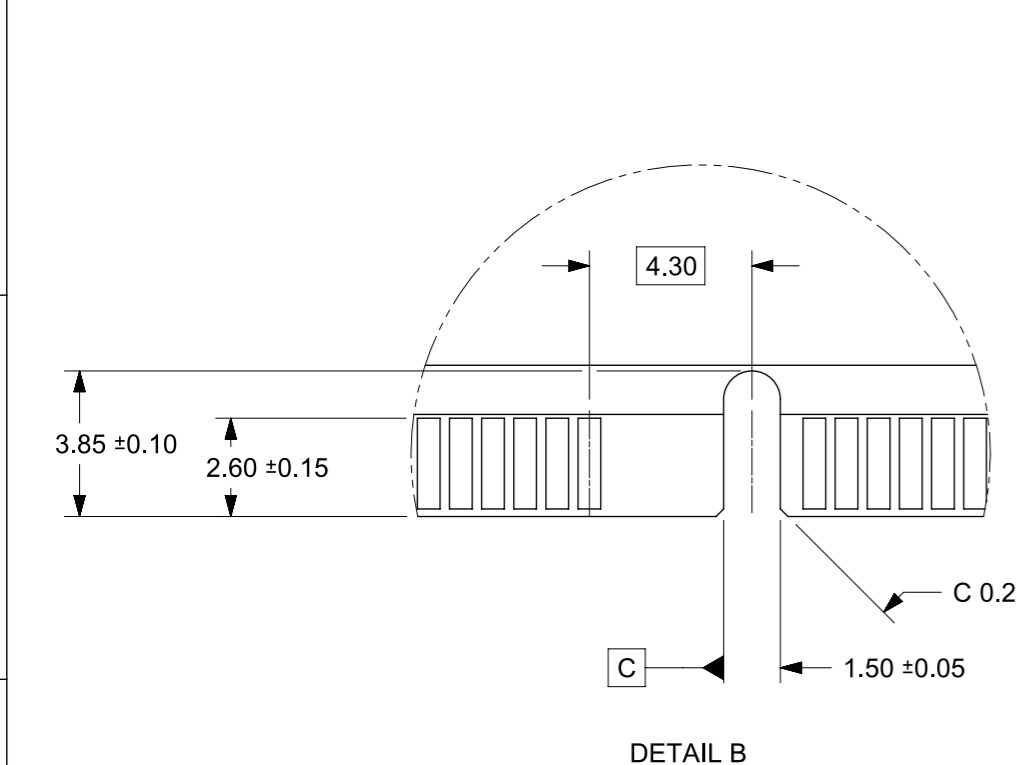
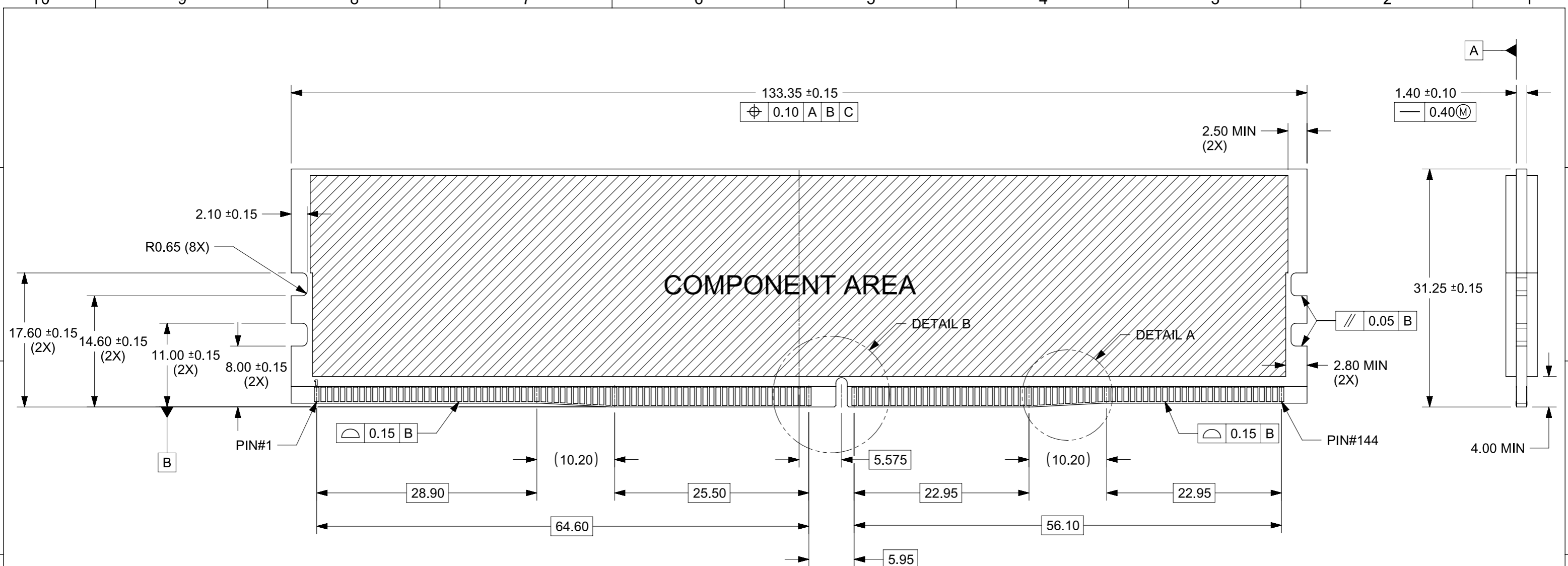


VIEWS WITH P&P TAPE OPTION



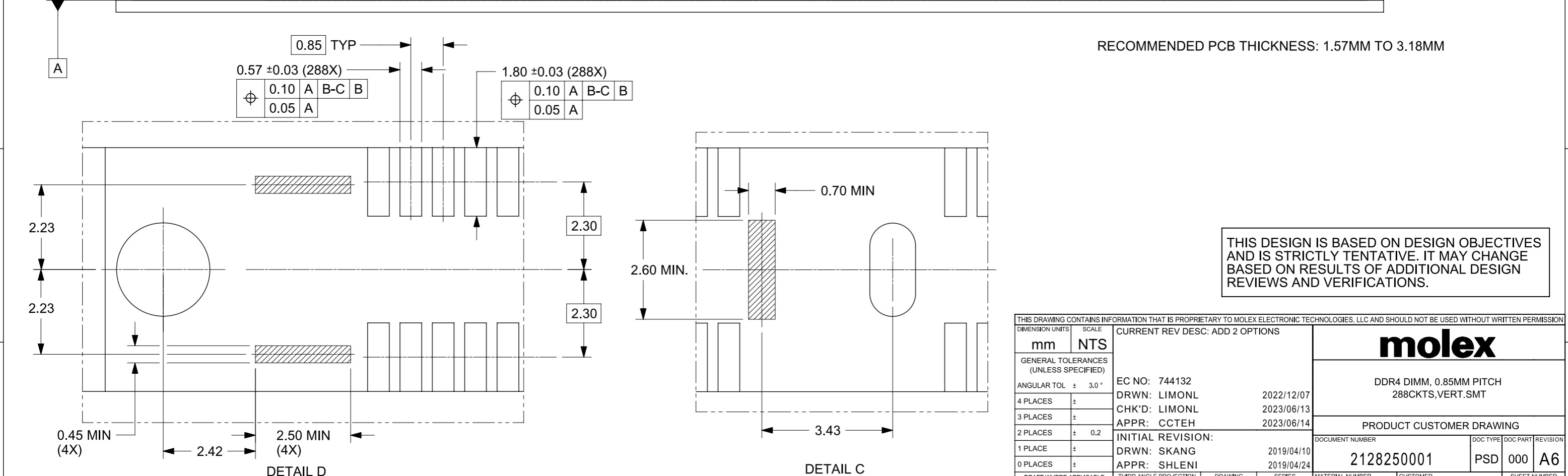
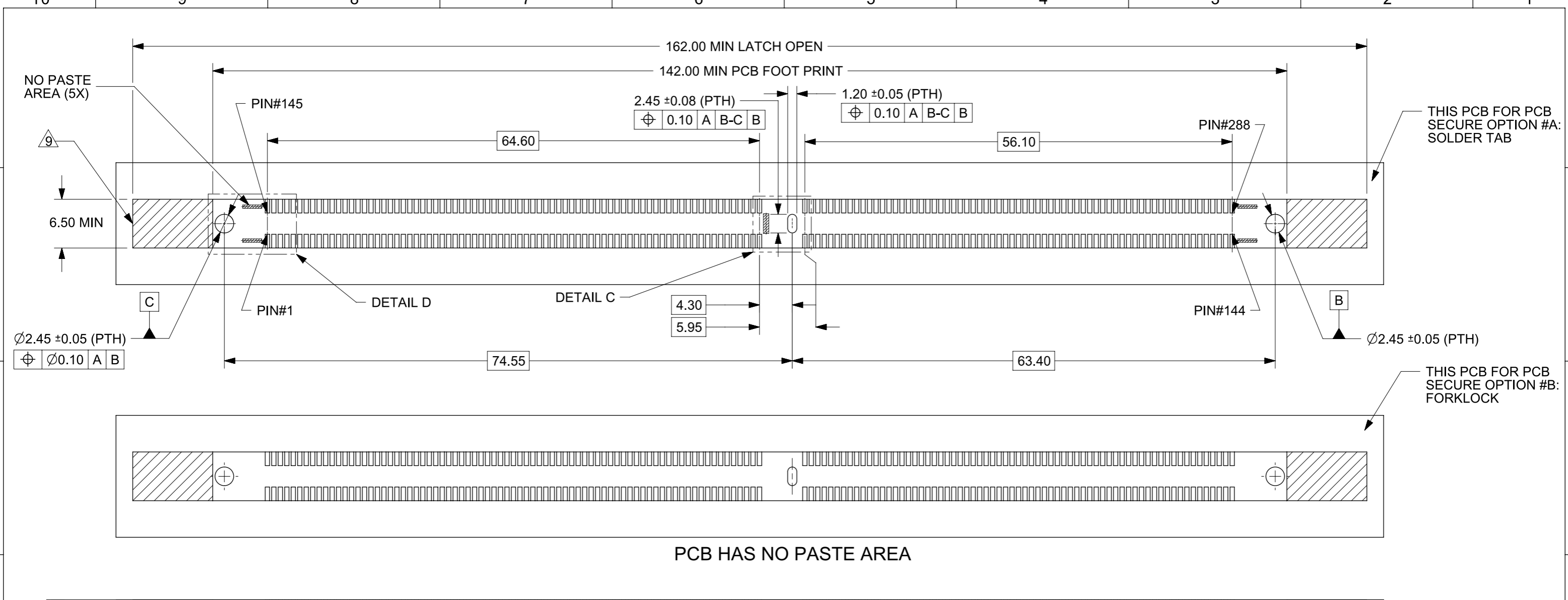
THIS DESIGN IS BASED ON DESIGN OBJECTIVES AND IS STRICTLY TENTATIVE. IT MAY CHANGE BASED ON RESULTS OF ADDITIONAL DESIGN REVIEWS AND VERIFICATIONS.

THIS DRAWING CONTAINS INFORMATION THAT IS PROPRIETARY TO MOLEX ELECTRONIC TECHNOLOGIES, LLC AND SHOULD NOT BE USED WITHOUT WRITTEN PERMISSION											
DIMENSION UNITS		SCALE		CURRENT REV DESC: ADD 2 OPTIONS						<b>molex</b>	
mm		NTS									
GENERAL TOLERANCES (UNLESS SPECIFIED)				EC NO: 744132						DDR4 DIMM, 0.85MM PITCH	
ANGULAR TOL ± 3.0 °				DRWN: LIMONL 2022/12/07						288CKTS, VERT. SMT	
4 PLACES ±				CHK'D: LIMONL 2023/06/13						PRODUCT CUSTOMER DRAWING	
3 PLACES ±				APPR: CTEH 2023/06/14						DOCUMENT NUMBER	
2 PLACES ± 0.2				INITIAL REVISION:						2128250001	
1 PLACE ±				DRWN: SKANG 2019/04/10						DOC TYPE	
0 PLACES ±				APPR: SHLENI 2019/04/24						PSD	
DRAFT WHERE APPLICABLE MUST REMAIN WITHIN DIMENSIONS				THIRD ANGLE PROJECTION		DRAWING		SERIES		SHEET NUMBER	
						A3-SIZE		212825		3 OF 7	
				MATERIAL NUMBER		CUSTOMER		REVISION			
				SEE TABLE		GENERAL MARKET		000		A6	



THIS DESIGN IS BASED ON DESIGN OBJECTIVES AND IS STRICTLY TENTATIVE. IT MAY CHANGE BASED ON RESULTS OF ADDITIONAL DESIGN REVIEWS AND VERIFICATIONS.

THIS DRAWING CONTAINS INFORMATION THAT IS PROPRIETARY TO MOLEX ELECTRONIC TECHNOLOGIES, LLC AND SHOULD NOT BE USED WITHOUT WRITTEN PERMISSION		CURRENT REV DESC: ADD 2 OPTIONS				
DIMENSION UNITS	SCALE					DDR4 DIMM, 0.85MM PITCH 288CKTS, VERT. SMT
mm	NTS			PRODUCT CUSTOMER DRAWING		
GENERAL TOLERANCES (UNLESS SPECIFIED)		EC NO: 744132		DOCUMENT NUMBER		
ANGULAR TOL	± 3.0 °	DRWN: LIMONL 2022/12/07		2128250001		
4 PLACES	±	CHK'D: LIMONL 2023/06/13		DOC TYPE		
3 PLACES	±	APPR: CCTEH 2023/06/14		PSD		
2 PLACES	± 0.2	INITIAL REVISION:		DOC PART		
1 PLACE	±	DRWN: SKANG 2019/04/10		000		
0 PLACES	±	APPR: SHLENI 2019/04/24		A6		
DRAFT WHERE APPLICABLE MUST REMAIN WITHIN DIMENSIONS		THIRD ANGLE PROJECTION	DRAWING	SERIES	MATERIAL NUMBER	CUSTOMER
			A3-SIZE	212825	SEE TABLE	GENERAL MARKET
						SHEET NUMBER
						4 OF 7

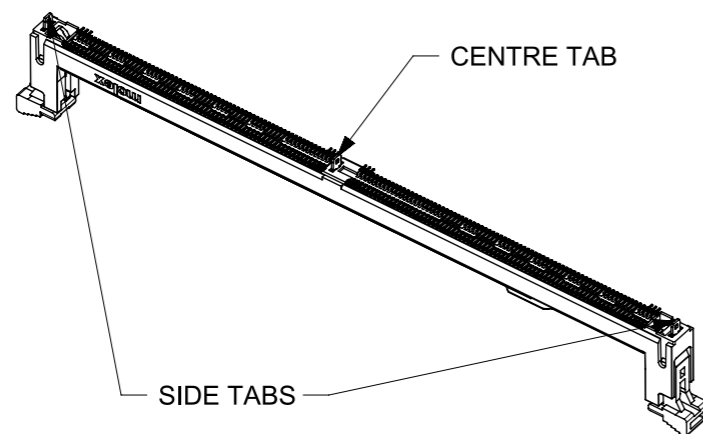


DOCUMENT STATUS	P1	RELEASE DATE	2023/06/14	07:09:29
-----------------	----	--------------	------------	----------

THIS DRAWING CONTAINS INFORMATION THAT IS PROPRIETARY TO MOLEX ELECTRONIC TECHNOLOGIES, LLC AND SHOULD NOT BE USED WITHOUT WRITTEN PERMISSION		CURRENT REV DESC: ADD 2 OPTIONS					
DIMENSION UNITS	SCALE	EC NO: 744132				DOCUMENT NUMBER	DOC TYPE
mm	NTS	DRWN: LIMONL 2022/12/07		2128250001	PSD	000	A6
GENERAL TOLERANCES (UNLESS SPECIFIED)		CHK'D: LIMONL 2023/06/13		PRODUCT CUSTOMER DRAWING			
ANGULAR TOL ± 3.0°		APPR: CCTEH 2023/06/14		INITIAL REVISION:			
4 PLACES ±		DRWN: SKANG 2019/04/10		MATERIAL NUMBER			
3 PLACES ±		APPR: SHLENI 2019/04/24		CUSTOMER			
2 PLACES ± 0.2				GENERAL MARKET			
1 PLACE ±				SEE TABLE			
0 PLACES ±				SHEET NUMBER			
DRAFT WHERE APPLICABLE MUST REMAIN WITHIN DIMENSIONS		THIRD ANGLE PROJECTION	DRAWING	SERIES	MATERIAL NUMBER		CUSTOMER
			A3-SIZE	212825	SEE TABLE		GENERAL MARKET

CKT SIZE	ASSEMBLY PART NO.	HOUSING COLOUR	LATCH COLOUR	P&P OPTION	PCB SECURE	DIM"P"	DIM"Q"		PLATING OPTION		PRODUCT SPEC. NO.	PACKAGING SPEC. NO.
							SIDE TAB	CENTRE TAB	TERMINAL	METAL TAB		
288	2128251502	BLACK	BLACK	NO	OPTION#A: SOLDERTAB	2.00	2.10		CONTACT AREA 0.76µM/30µIN MIN GOLD ON CONTACT  2.54µM/100µIN MIN NICKEL UNDERPLATE  TAIL AREA 2.54µM/100µIN MIN TIN ON SOLDER TAILS  1.27µM/50µIN MIN NICKEL UNDERPLATE	1 MICROMETER (40 MICROINCH) MIN TIN OVERALL (PRE-PLATED)	PS-78730-001	PK-78730-001
	2128251503		OFF-WHITE									
	2128251504	OFF-WHITE	BLACK									
	2128251505		OFF-WHITE									
	2128251506	BLUE	BLACK									
	2128251507		OFF-WHITE									
	2128252502	BLACK	BLACK	YES (X=60mm, Y=28.97mm)								
	2128252503		OFF-WHITE									
	2128252504	OFF-WHITE	BLACK									
	2128252505		OFF-WHITE									
	2128252506	BLUE	BLACK									
	2128252507		OFF-WHITE									
	2128251652	BLACK	BLACK	NO								
	2128251653		OFF-WHITE									
	2128251654	OFF-WHITE	BLACK									
	2128251655		OFF-WHITE									
	2128251658	YELLOW	OFF-WHITE									
	2128252652	BLACK	BLACK								YES (X=60mm, Y=28.97mm)	
	2128252653		OFF-WHITE									
	2128252654	OFF-WHITE	BLACK									
	2128252655		OFF-WHITE									
	2128252656	BLUE	BLUE									
	2128252657	BLUE	OFF-WHITE									
	2128252658	YELLOW	OFF-WHITE									
	2128253652	BLACK	BLACK	YES (X=90mm, Y=19.54mm)								
	2128253656	BLUE	BLUE									
	2128253653	BLACK	OFF-WHITE									
	2128253654	OFF-WHITE	BLACK									
2128253655	OFF-WHITE											
2128253657	BLUE	OFF-WHITE										
2128253658	YELLOW	OFF-WHITE										
2128253659	BLACK	YELLOW										
2128253660	BLUE	BLUE	YES (X=60mm, Y=28.97mm)									
2128253710		BLUE										
2128253712	YELLOW	OFF-WHITE										
2128253714	BLACK	BLACK										
2128252720	BLUE	BLUE										
2128252722	BLACK	BLACK										

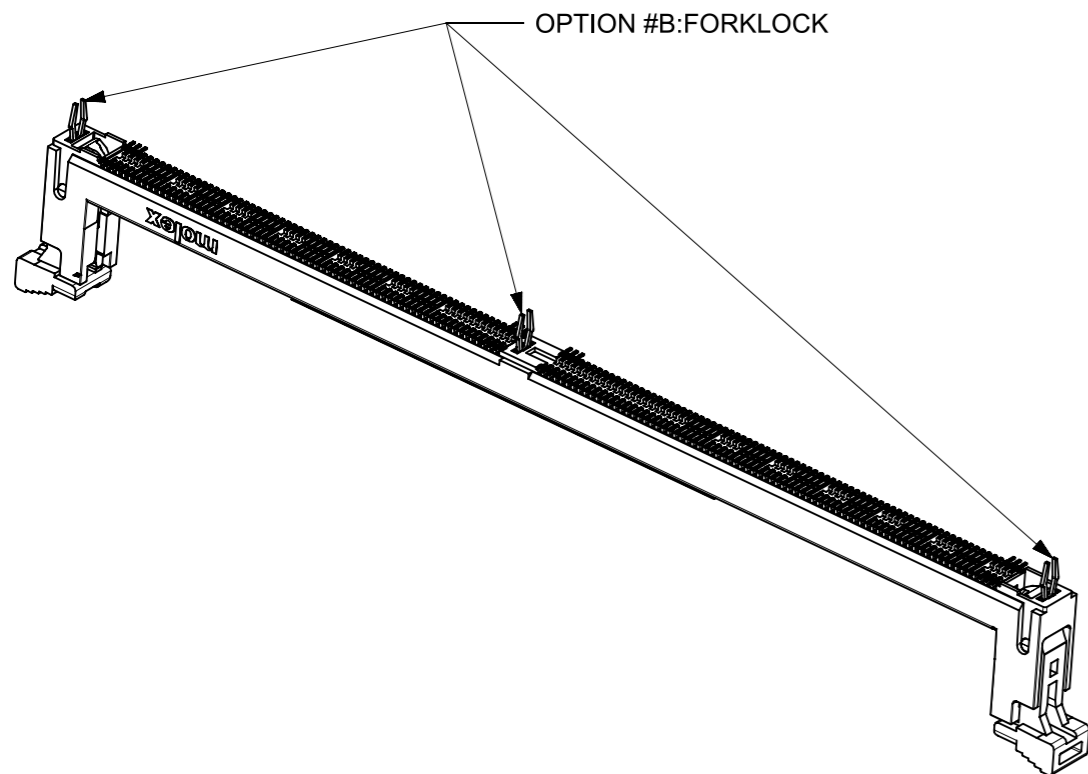
THIS DESIGN IS BASED ON DESIGN OBJECTIVES AND IS STRICTLY TENTATIVE. IT MAY CHANGE BASED ON RESULTS OF ADDITIONAL DESIGN REVIEWS AND VERIFICATIONS.



THIS DRAWING CONTAINS INFORMATION THAT IS PROPRIETARY TO MOLEX ELECTRONIC TECHNOLOGIES, LLC AND SHOULD NOT BE USED WITHOUT WRITTEN PERMISSION		CURRENT REV DESC: ADD 2 OPTIONS		<b>molex</b>	
DIMENSION UNITS	SCALE	EC NO: 744132			
mm	NTS	DRWN: LIMONL 2022/12/07		PRODUCT CUSTOMER DRAWING	
GENERAL TOLERANCES (UNLESS SPECIFIED)		CHK'D: LIMONL 2023/06/13		DOCUMENT NUMBER	
ANGULAR TOL	± 3.0 °	APPR: CTEH 2023/06/14		2128250001	
4 PLACES	±	INITIAL REVISION:		DOC TYPE	
3 PLACES	±	DRWN: SKANG 2019/04/10		PSD	
2 PLACES	± 0.2	APPR: SHLENI 2019/04/24		DOC PART	
1 PLACE	±	DRAFT WHERE APPLICABLE MUST REMAIN WITHIN DIMENSIONS		000	
0 PLACES	±	THIRD ANGLE PROJECTION		A6	
		DRAWING		REVISION	
		SERIES			
		MATERIAL NUMBER		SHEET NUMBER	
		CUSTOMER		6 OF 7	
		A3-SIZE			
		212825			
		SEE TABLE			
		GENERAL MARKET			

DOCUMENT STATUS | P1 | RELEASE DATE | 2023/06/14 07:09:29

10	9	8	7	6	5	4		3	2	1
						CTK SIZE	ASSEMBLY PART NO.			
						TERMINAL	FORKLOCK			
288	2128254001	BLACK	BLACK	NO	OPTION#B: FORKLOCK	CONTACT AREA 0.76μM/30μIN MIN GOLD ON CONTACT	1.0 MICROMETER(40 MICROINCH) MIN TIN OVERALL (PRE-PLATED)	PS-78730-001	PK-78730-001	
	2128254002	OFF-WHITE	OFF-WHITE			2.54μM/100μIN MIN NICKEL UNDERPLATE				
	2128254004	BLACK	BLACK	TAIL AREA 2.54μM/100μIN MIN TIN ON SOLDER TAILS						
	2128254005		OFF-WHITE	YES						
	2128254008	BLUE	BLUE	1.27μM/50μIN MIN NICKEL UNDERPLATE						
	2128254003	BLACK	BLACK	NO		CONTACT AREA 0.38μM/15μIN GOLD ON CONTACT				
	2128254006			YES		2.54μM/100μIN MIN NICKEL UNDERPLATE				
	2128254007			YES		TAIL AREA 2.54μM/100μIN MIN TIN ON SOLDER TAILS				
						1.27μM/50μIN MIN NICKEL UNDERPLATE				



THIS DESIGN IS BASED ON DESIGN OBJECTIVES AND IS STRICTLY TENTATIVE. IT MAY CHANGE BASED ON RESULTS OF ADDITIONAL DESIGN REVIEWS AND VERIFICATIONS.

THIS DRAWING CONTAINS INFORMATION THAT IS PROPRIETARY TO MOLEX ELECTRONIC TECHNOLOGIES, LLC AND SHOULD NOT BE USED WITHOUT WRITTEN PERMISSION											
DIMENSION UNITS		SCALE		CURRENT REV DESC: ADD 2 OPTIONS							
mm		NTS									
GENERAL TOLERANCES (UNLESS SPECIFIED)											
ANGULAR TOL ± 3.0 °				EC NO: 744132 DRWN: LIMONL 2022/12/07 CHK'D: LIMONL 2023/06/13 APPR: CTEH 2023/06/14							
4 PLACES ±				PRODUCT CUSTOMER DRAWING DOCUMENT NUMBER: 2128250001 DOC TYPE: PSD DOC PART: 000 REVISION: A6							
3 PLACES ±											
2 PLACES ± 0.2				INITIAL REVISION: DRWN: SKANG 2019/04/10 APPR: SHLENI 2019/04/24							
1 PLACE ±											
0 PLACES ±				DRAFT WHERE APPLICABLE MUST REMAIN WITHIN DIMENSIONS							
THIRD ANGLE PROJECTION		DRAWING		SERIES		MATERIAL NUMBER		CUSTOMER		SHEET NUMBER	
		A3-SIZE		212825		SEE TABLE		GENERAL MARKET		7 OF 7	