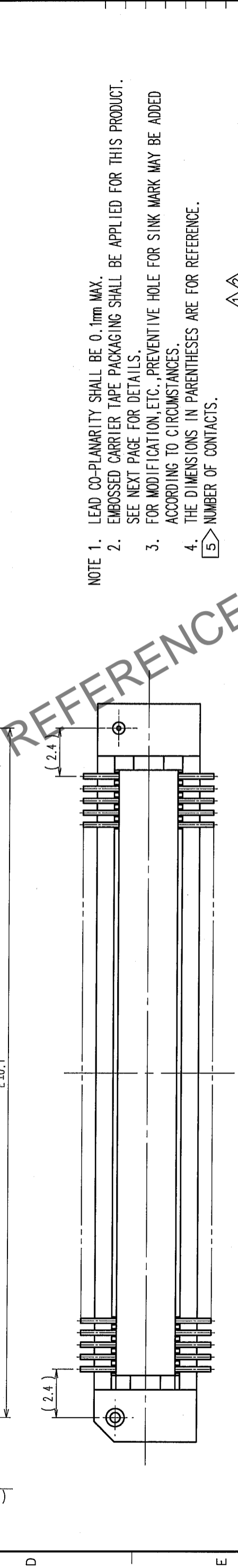
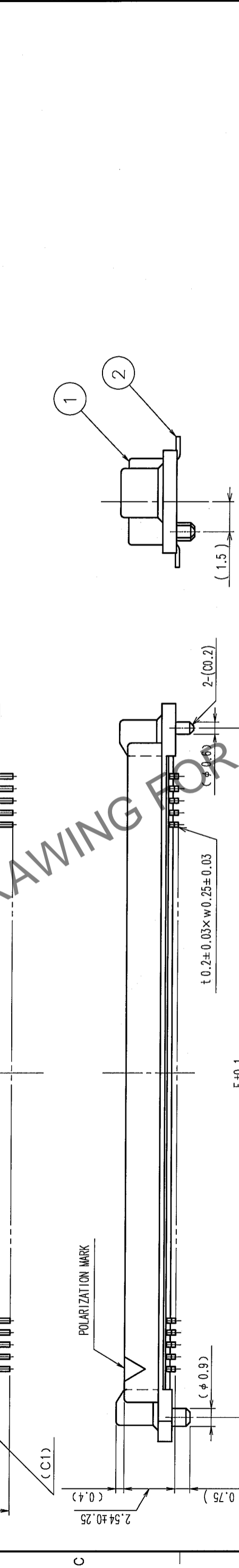
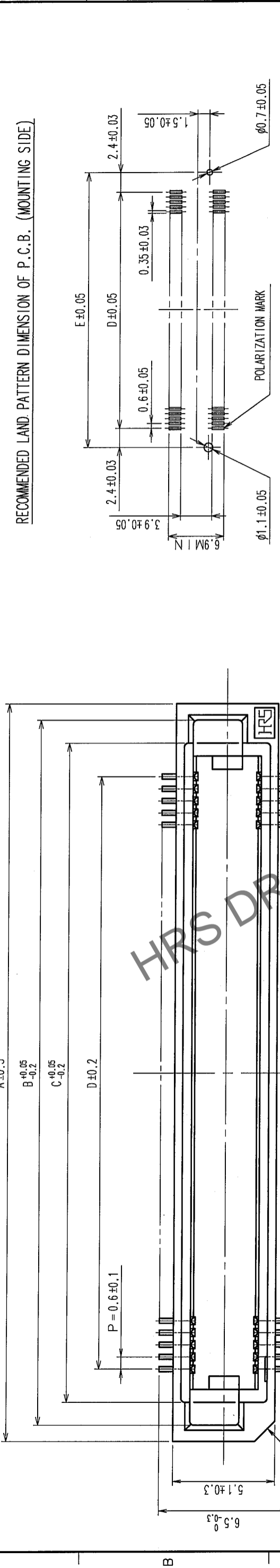


COUNT	DESCRIPTION OF REVISIONS	BY	CHKD	DATE	COUNT	DESCRIPTION OF REVISIONS	BY	CHKD	DATE
3	RE-F-09671	K.N	H.Y	04.04.08					
1	DIS-F-000293	K.D	H.O	05.02.28					



- NOTE 1. LEAD CO-PLANARITY SHALL BE 0.1mm MAX.
 2. EMBOSSED CARRIER TAPE PACKAGING SHALL BE APPLIED FOR THIS PRODUCT. SEE NEXT PAGE FOR DETAILS.
 3. FOR MODIFICATION, ETC., PREVENTIVE HOLE FOR SINK MARK MAY BE ADDED ACCORDING TO CIRCUMSTANCES.
 4. THE DIMENSIONS IN PARENTHESES ARE FOR REFERENCE.
 [5] NUMBER OF CONTACTS.

NO.	MATERIAL	FINISH, REMARKS	NO.	MATERIAL	FINISH, REMARKS
1	PPS	LIGHT BROWN (UL94V-0)	2	PHOSPHOR BRONZE	

CONTACT AREA: GOLD	LEAD AREA: GOLD FLASH	UNDER PLATING: NICKEL	FINISH, REMARKS
0.1μm min.		0.5μm min.	

CODE NO. (OLD)	CL	DRAWN	DESIGNED	CHECKED	APPROVED	RELEASED
		S.SUZUKI	K.NAKAMURA	H.OKAWA	Y.YOSHIMURA	
		03.03.06	03.03.06	03.03.06	03.03.06	

DRAWING NO.	PART NO.
EDC3-150726-22	FX8-**-P-SV(92)

SCALE: FREE

UNITS: mm

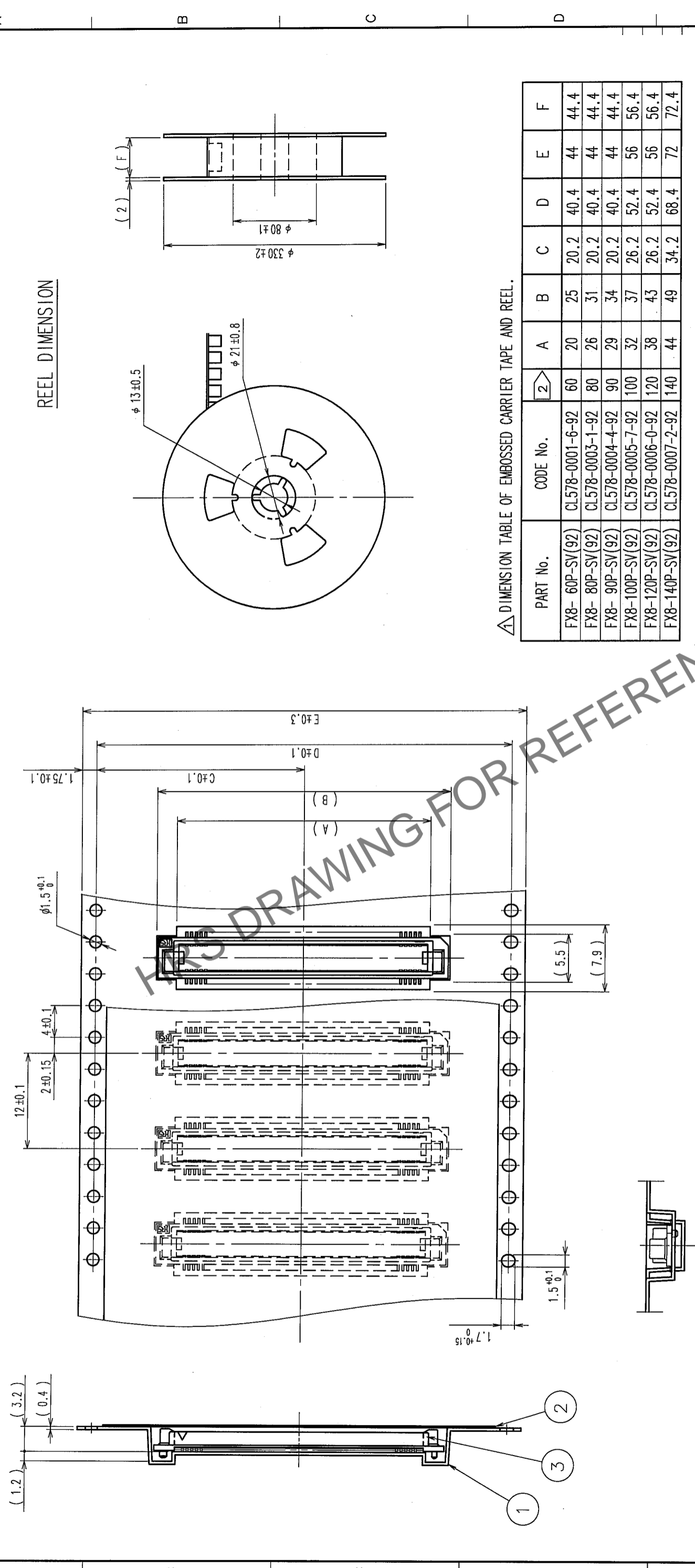
HIROSE ELECTRIC CO., LTD. CL578

DIMENSION TABLE OF CONNECTOR AND P.C.B. LAND PATTERN.

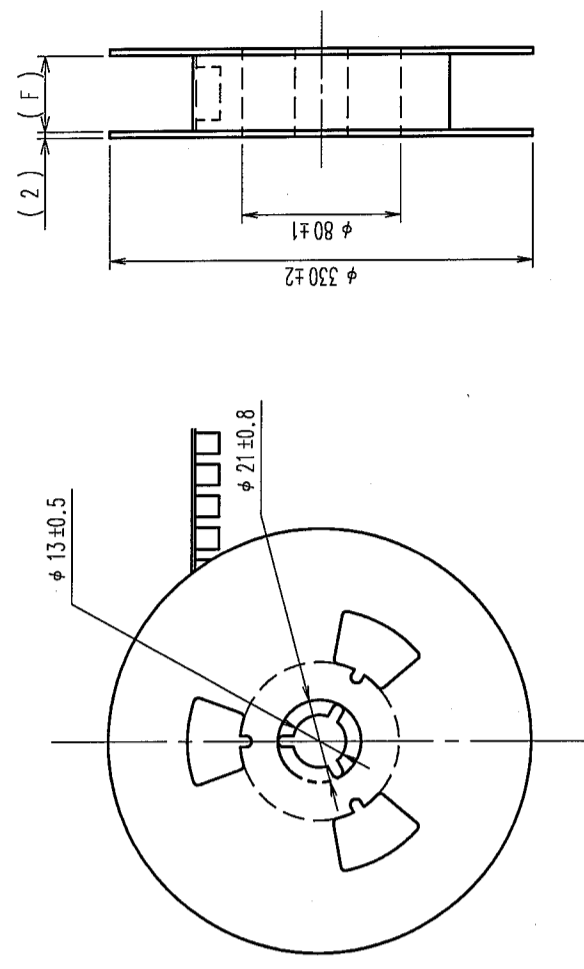
PART No.	CODE No.	[5]	A	B	C	D	E
FX8-60P-SV(92)	CL578-0001-6-92	60	24.6	23	20.7	17.4	22.2
FX8-80P-SV(92)	CL578-0003-1-92	80	30.6	29	26.7	23.4	28.2
FX8-90P-SV(92)	CL578-0004-4-92	90	33.6	32	29.7	26.4	31.2
FX8-100P-SV(92)	CL578-0005-7-92	100	36.6	35	32.7	29.4	34.2
FX8-120P-SV(92)	CL578-0006-0-92	120	42.6	41	38.7	35.4	40.2
FX8-140P-SV(92)	CL578-0007-2-92	140	48.6	47	44.7	41.4	46.2

TO	
PCK	

COUNT	DESCRIPTION OF REVISIONS	BY	CHKD	DATE	COUNT	DESCRIPTION OF REVISIONS	BY	CHKD	DATE



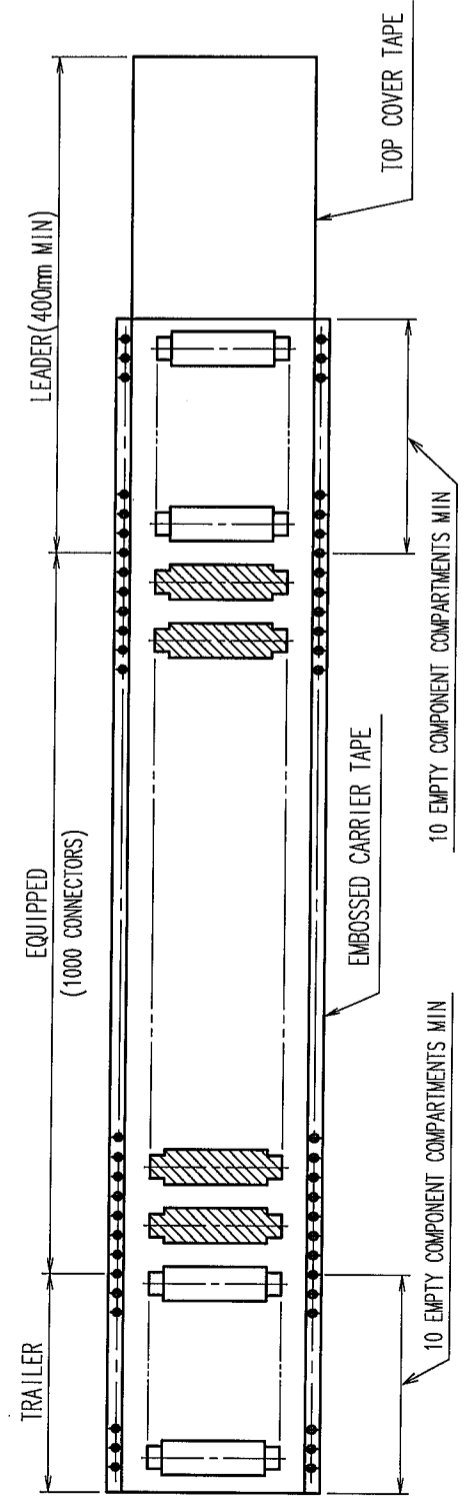
REEL DIMENSION



△ DIMENSION TABLE OF EMBOSSED CARRIER TAPE AND REEL.

PART No.	CODE No.	2	A	B	C	D	E	F
FX8-60P-SV(92)	CL578-0001-6-92	60	20	25	20.2	40.4	44	44.4
FX8-80P-SV(92)	CL578-0003-1-92	80	26	31	20.2	40.4	44	44.4
FX8-90P-SV(92)	CL578-0004-4-92	90	29	34	20.2	40.4	44	44.4
FX8-100P-SV(92)	CL578-0005-7-92	100	32	37	26.2	52.4	56	56.4
FX8-120P-SV(92)	CL578-0006-0-92	120	38	43	26.2	52.4	56	56.4
FX8-140P-SV(92)	CL578-0007-2-92	140	44	49	34.2	68.4	72	72.4

NOTE 1 1 REEL : 1000 CONNECTORS
 2 NUMBER OF CONTACTS



2 POLYESTER (TOP COVER TAPE)		3 (CONNECTOR)			
NO.	MATERIAL	FINISH, REMARKS	NO.	MATERIAL	FINISH, REMARKS
1	PS	(EMBOSSED CARRIER TAPE)	3		
CODE NO. (OLD) CL		DRAWN S. SUZUKI 03.03.06		DESIGNED K. NAKAMURA 03.03.06	
SCALE FREE		PART NO. EDC3-150726-22		APPROVED Y. YOSHIMURA 03.03.06	
UNITS mm		DRAWING NO. EDC3-150726-22		REMARKS FX8-**P-SV(92)	
		CODE NO.		CL578	

TO
PCK