

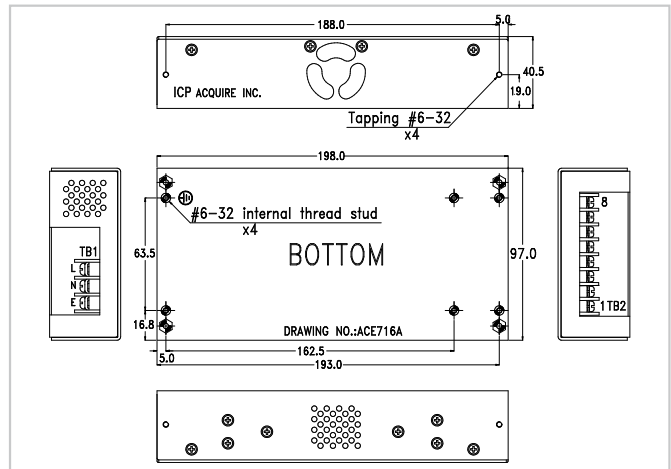
ACE-716C

150 W 24V DC input AT Power Supply



| | | | | | |
|------------------|---|-------|-------|-------|-------|
| Input Type | 19 ~ 30 VDC | | | | |
| Output Voltage | +5 V | +12 V | -5 V | -12 V | +24 V |
| | 18 A (2 A min) | 4 A | 0.5 A | 1 A | |
| Efficiency | 70% | | | | |
| Temperature | Operating : -20°C ~ 70°C (50°C ~ 70°C derating curve) Storage : -20°C ~ 85°C | | | | |
| MTBF(hrs) | 210,000 | | | | |
| Output Connector | Optional Cable | | | | |
| Dimensions | 198 x 97 x 40.5 mm | | | | |

Dimensions



Output terminal block connectors

| Pin 1, 2 | Pin 3, 4 | Pin 5 | Pin 6 | Pin7 | Pin8 |
|----------|----------|-------|-------|------|-------|
| 5 V | GND | -5 V | -12 V | GND | +12 V |

Ordering Information

| Part No. | Description |
|-------------|-------------------------------------|
| ACE-716C-RS | 150 W 24 V DC input AT Power Supply |

| Optional 1 | Embedded Solution | Optional 2 | ATX Backplane Solution | Optional 3 | AT P8P9 Backplane Solution |
|------------|---|------------|---|------------|--|
| | PN: CB-716EB-RS 30 cm DC cable to CPU card with 4-pin 12 V CPU, HDD and SATA connectors | | PN: CB-716BP-RS 30 cm DC cable to backplane with 20-pin ATX, HDD, SATA and HDD connectors | | PN: CB-716P8P9-RS 30 cm DC cable AT power to P8P9 with HDD and SATA connectors |

2U AC Input ATX Type

ACE-4530AP

300 W 2U ATX Power Supply



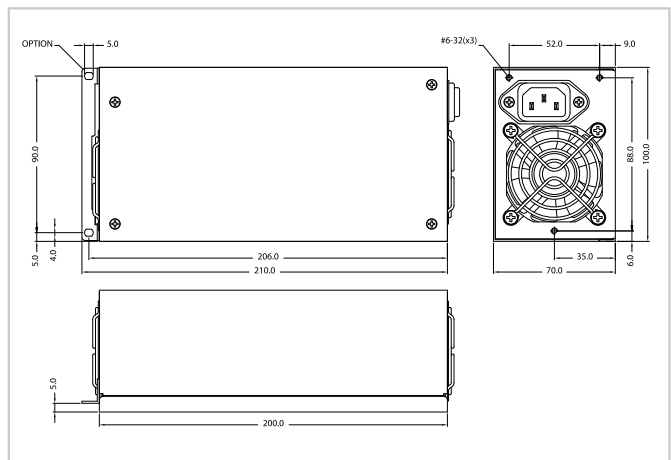
Best solution for the RACK-1350G ATX 2.0 standard w/ new 20+4 Meets ATX revision 2.0, with 20+4-pin ATX power and SATA connector



Specifications

| | | | | | | |
|------------------|--|-------|--------------------|-------|--------|--------|
| Input Type | 90 ~ 264 VAC Full Range | | | | | |
| Output | +5 V | +12 V | -12 V | -5 V | +3.3 V | +5 Vsb |
| | 35 A | 16 A | 1 A | 0.5 A | 20 A | 2 A |
| Efficiency | 63% | | | | | |
| Temperature | Operating : 0°C ~ 50°C, Storage : -20°C ~ 80°C | | | | | |
| Output Connector | 1 x 20+4-pin ATX | | 1 x 4-pin 12 V CPU | | | |
| | 4 x HDD | | 2 x FDD | | | |
| | 2 x SATA | | 1 x 5 V (P10) | | | |
| Dimensions | 200 x 100 x 70 mm | | | | | |

Dimensions



Ordering Information

| Part No. | Description |
|---------------|---|
| ACE-4530AP-RS | 300 2U AC-DC ATX Power Supply, with PFC |

Mouser Electronics

Authorized Distributor

Click to View Pricing, Inventory, Delivery & Lifecycle Information:

[IEI:](#)

[ACE-716C-RS](#) [CB-716P8P9-RS](#) [CB-716EB-RS](#)