

NOTES:

1. MATERIALS AND FINISHES:
 - BODY - BRASS, WHITE BRONZE PLATING
 - CONTACT - BeCu, SILVER PLATING
 - INSULATOR - PTFE, NATURAL
 - GASKET - SILICONE RUBBER, RED
2. ELECTRICAL:
 - A. IMPEDANCE: 50 OHM
 - B. FREQUENCY RANGE: DC-18 GHz
 - C. VSWR: 1.15 MAX. @ DC-12 GHz, MAX.
1.20 MAX. @ 12-18 GHz, MAX.
 - D. DIELECTRIC WITHSTANDING VOLTAGE: 500 VRMS, MIN.
3. MECHANICAL:
 - A. DURABILITY: 500 CYCLES MIN.
 - B. TEMPERATURE RANGE: -65°C TO 165°C
 - C. CENTER CONTACT TORQUE: 4 IN-OZ MIN.
4. PACKAGING:
 - A. QUANTITY: SINGLE PACK
 - B. MARKING: PACKAGING TO BE MARKED
"AMPHENOL RF, 82-6712-XXXXXX & DATE CODE"

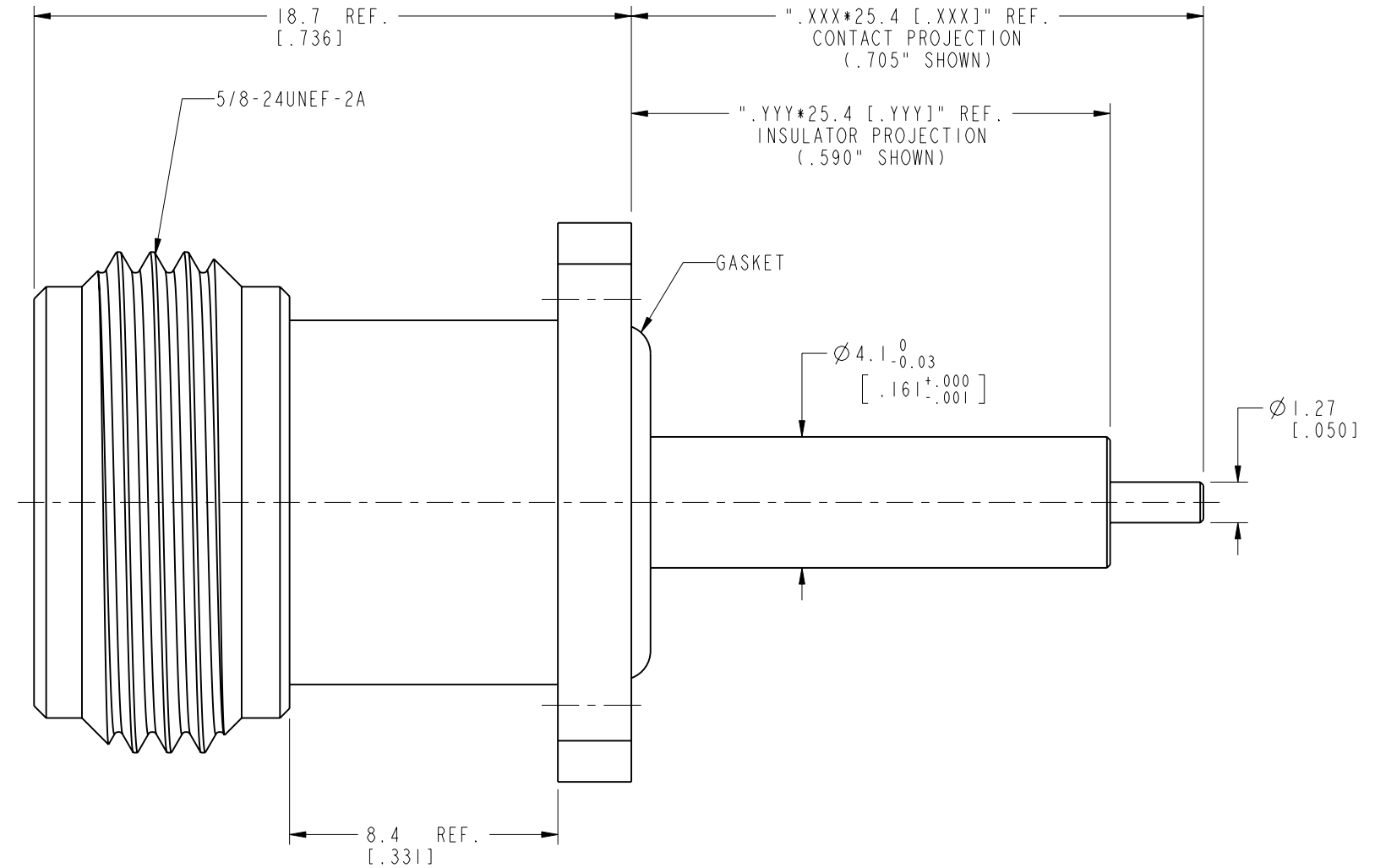
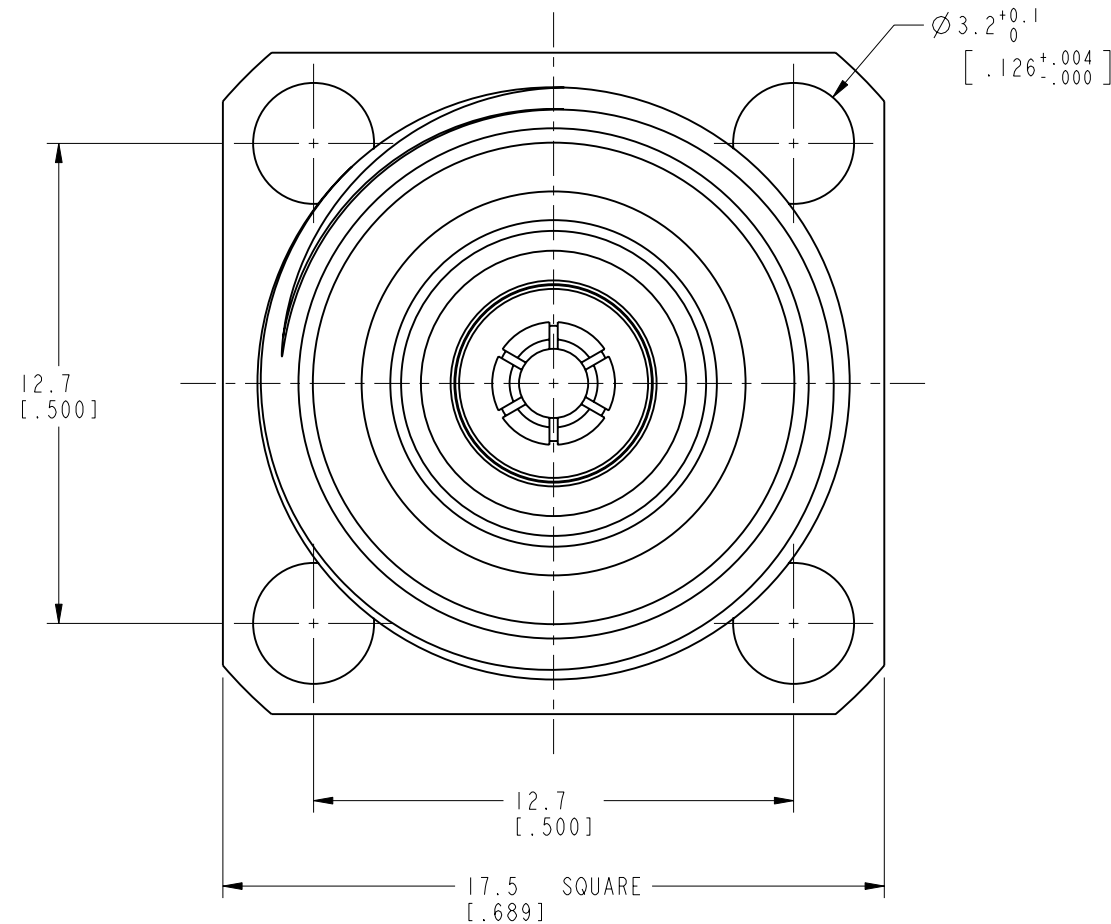
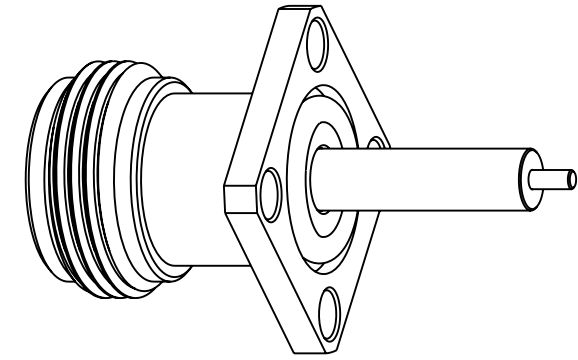
SEE ITEM NO.

5. ORDERING INFORMATION:
 - A. CANDLESTICK LENGTH GIVEN BY PART NUMBER SUFFIX 'XXXXXX'.
'XXX' IS CONTACT PROJECTION, IN THOUSANDTHS OF AN INCH.
'YYY' IS INSULATOR PROJECTION, IN THOUSANDTHS OF AN INCH.
 - B. EXAMPLE: 82-6712-705590 (SHOWN)
CONTACT PROJECTION = .705"
INSULATOR PROJECTION = .590"
 - C. CONTACT AMPHENOL RF MARKETING FOR QUOTE AND MORE INFORMATION ON ADDITIONAL LENGTHS.

THIRD ANGLE PROJ.

REVISIONS

REV	DESCRIPTION	DATE	ECN	APPR
A	RELEASE TO MANUFACTURING	23-Jun-20	15238	CJV



CUSTOMER OUTLINE DRAWING
ALL OTHER SHEETS ARE FOR INTERNAL USE ONLY

UNLESS OTHERWISE SPECIFIED, DIMENSIONS ARE IN METRIC AND TOLERANCES ARE: <0.5mm ±0.05mm 0.5 - 6mm ±0.1mm 6 - 30mm ±0.2mm 30 - 120mm ±0.3mm ANGLES ±1°	MATERIAL	DRAWN	DATE	TITLE		Amphenol RF www.amphenolrf.com
	SEE NOTES	M. ZHANG	23-Jun-20	18 GHz TYPE N PANEL MOUNT JACK MULTIPLE LENGTHS		
NOTICE - These drawings, specifications, or other data (1) are, and remain the property of Amphenol corp. (2) must be returned upon request; and (3) are confidential and not to be disclosed to any person other than those to whom they are given by Amphenol Corp. the furnishing of these drawings, specifications, or other data by Amphenol Corp., or to any other person to anyone for any purpose is not to be regarded by implication or otherwise in any manner licensing, granting rights to permitting such holder or any other person to manufacture, use or sell any product, process or design, patented or otherwise, that may in any way be related to or disclosed by said drawings, specifications, or other data.	REFERENCE	ENGINEER	DATE	SCALE: 5.0:1.0 SHEET 2 OF 2		DRAWING NO. 82-6712-XXXXXX
	EAR# 8747	C. VIGORITO	18-Oct-19	DWG SIZE B		ITEM NO. 82-6712-XXXXXX
	REF: ---	S. HSIEH	29-Jun-20	REV A		PART NO. 82-6712-XXXXXX
CONFIGURATION LEVEL: In Work	CAD FILE					
FINISH						