



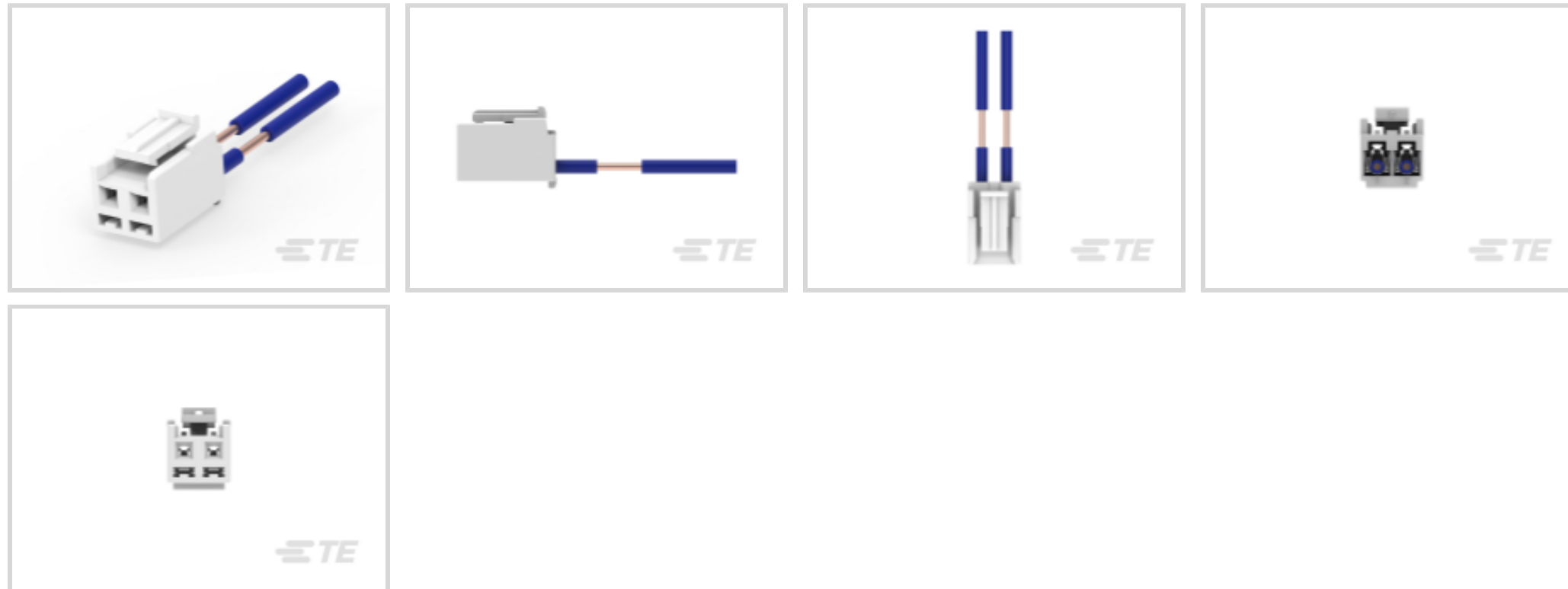
Neohm

TE Internal #: 2154828-3

Economy Power Pigtail Cable Assembly, 18 m [18 ft], .823 mm<sup>2</sup>, Black, Red, Blue, Orange Cable, Single Ended, Economy Power Socket, PBT, Natural End A

[View on TE.com >](#)

Cable Assemblies > Copper Cable Assemblies > Power Cable Assemblies



Cable Assembly Configuration: **Single Ended**

Wire Size: **.823 mm<sup>2</sup>**

Cable Assembly Length: **18 m [ 18 ft ]**

Cable Color: **Black, Red, Blue, Orange**

Operating Temperature Range: **-30 – 105 °C [ -22 – 221 °F ]**

**Features**

**Product Type Features**

Cable Assembly Category	Power
Cable Assembly Type	Economy Power Pigtail
Cable Assembly (End A)	Economy Power Socket

**Configuration Features**

Number of Positions	4
---------------------	---

**Body Features**

Cable Exit Angle	180°
Cable Color	Black, Red, Blue, Orange
Connector Color (End A)	Natural

**Contact Features**

Contact Mating Area Plating Material	Tin
Contact Base Material	Copper Alloy

**Mechanical Attachment**

--	--



Strain Relief	Without
---------------	---------

Mating Alignment Type	Keyed
-----------------------	-------

### Housing Features

Housing Material	PBT
------------------	-----

### Dimensions

Wire Size	18 AWG
-----------	--------

### Usage Conditions

Operating Temperature Range	-30 – 105 °C[-22 – 221 °F]
-----------------------------	----------------------------

### Industry Standards

UL Flammability Rating	UL 94V-0
------------------------	----------

### Packaging Features

Packaging Method	Bag
------------------	-----

### Other

Cable Assembly Configuration	Single Ended
------------------------------	--------------

Cable Assembly Length	18 m[18 ft]
-----------------------	-------------

## Product Compliance

[For compliance documentation, visit the product page on TE.com>](#)

EU RoHS Directive 2011/65/EU	Compliant
------------------------------	-----------

EU ELV Directive 2000/53/EC	Compliant
-----------------------------	-----------

China RoHS 2 Directive MIIT Order No 32, 2016	No Restricted Materials Above Threshold
---	---

EU REACH Regulation (EC) No. 1907/2006	Current ECHA Candidate List: JUNE 2024 (241) Candidate List Declared Against: JAN 2022 (223) Does not contain REACH SVHC
--	--

Halogen Content	Low Halogen - Br, Cl, F, I < 900 ppm per homogenous material. Also BFR/CFR/PVC Free
-----------------	---

Solder Process Capability	Not applicable for solder process capability
---------------------------	--

#### Product Compliance Disclaimer

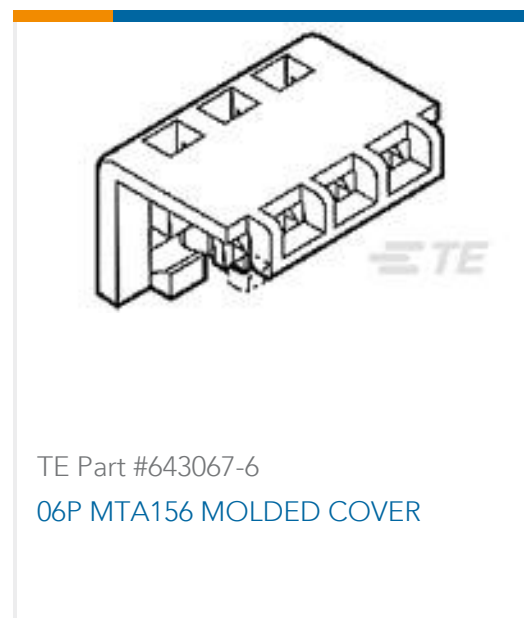
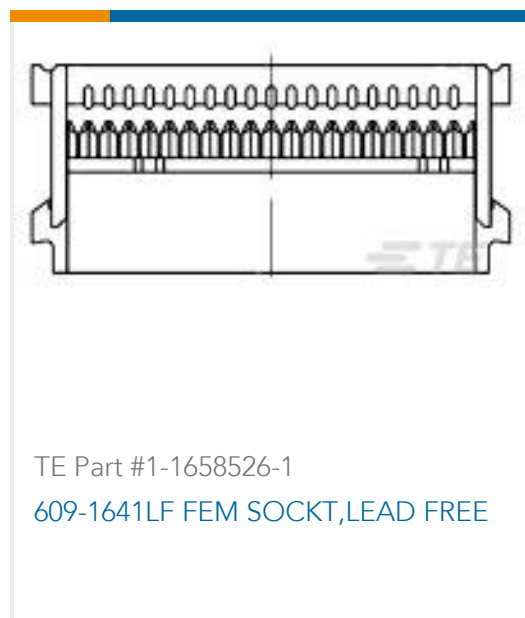
This information is provided based on reasonable inquiry of our suppliers and represents our current actual knowledge based on the information they provided. This information is subject to change. The part numbers that TE has identified as EU RoHS compliant have a maximum concentration of 0.1% by weight in homogenous materials for lead, hexavalent chromium, mercury, PBB, PBDE, DBP, BBP, DEHP, DIBP, and 0.01% for cadmium, or qualify for an exemption to these limits as defined in the Annexes of Directive 2011/65/EU (RoHS2). Finished electrical and electronic equipment products

will be CE marked as required by Directive 2011/65/EU. Components may not be CE marked. Additionally, the part numbers that TE has identified as EU ELV compliant have a maximum concentration of 0.1% by weight in homogenous materials for lead, hexavalent chromium, and mercury, and 0.01% for cadmium, or qualify for an exemption to these limits as defined in the Annexes of Directive 2000/53/EC (ELV). Regarding the REACH Regulation, the information TE provides on SVHC in articles for this part number is based on the latest European Chemicals Agency (ECHA) 'Guidance on requirements for substances in articles' posted at this URL: <https://echa.europa.eu/guidance-documents/guidance-on-reach>

## Compatible Parts



## Customers Also Bought



## Documents

[Product Drawings](#)



## Cable Assembly EPII 4 Pos

English

---

### CAD Files

Customer View Model

[ENG\\_CVM\\_CVM\\_2154828-3\\_A.3d\\_igs.zip](#)

English

Customer View Model

[ENG\\_CVM\\_CVM\\_2154828-3\\_A.3d\\_stp.zip](#)

English

Customer View Model

[ENG\\_CVM\\_CVM\\_2154828-3\\_A.2d\\_dxf.zip](#)

English

### 3D PDF

3D

By downloading the CAD file I accept and agree to the [Terms and Conditions](#) of use.

---

### Datasheets & Catalog Pages

[Inverted Thru Board Interconnects](#)

[Inverted Thru Board Interconnects](#)

English

[5-17737700-9\\_HPInverted\\_brochure](#)

English

---

### Agency Approvals

[UL Report](#)

English