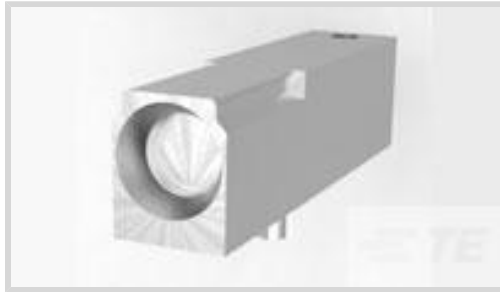




Connectors > Connector Accessories > Connector Hardware



Hardware Accessory Function: **Guide Hardware**

Connector Hardware Accessory Type: **Guide Socket Module**

Primary Product Material: **Zinc Alloy Die Casting**

Features

Product Type Features

Hardware Accessory Function	Guide Hardware
Connector Hardware Accessory Type	Guide Socket Module

Body Features

Product Orientation	Right Angle
Primary Product Material	Zinc Alloy Die Casting

Mechanical Attachment

Product Plating Finish	Chromate Conversion Coating
------------------------	-----------------------------

Dimensions

Product Length	34.2 mm
----------------	---------

Packaging Features

Packaging Quantity	1
Packaging Method	Box

Product Compliance

[For compliance documentation, visit the product page on TE.com>](#)

EU RoHS Directive 2011/65/EU	Compliant
EU ELV Directive 2000/53/EC	Compliant
China RoHS 2 Directive MIIT Order No 32, 2016	No Restricted Materials Above Threshold
EU REACH Regulation (EC) No. 1907/2006	Current ECHA Candidate List: JUNE 2024 (241) Candidate List Declared Against: JUNE 2024 (241)



Does not contain REACH SVHC

Halogen Content

Low Halogen - Br, Cl, F, I < 900 ppm per homogenous material. Also BFR/CFR/PVC Free

Solder Process Capability

Not applicable for solder process capability

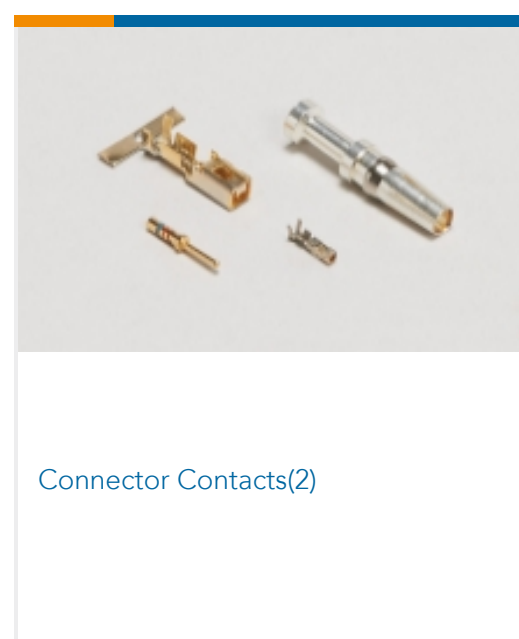
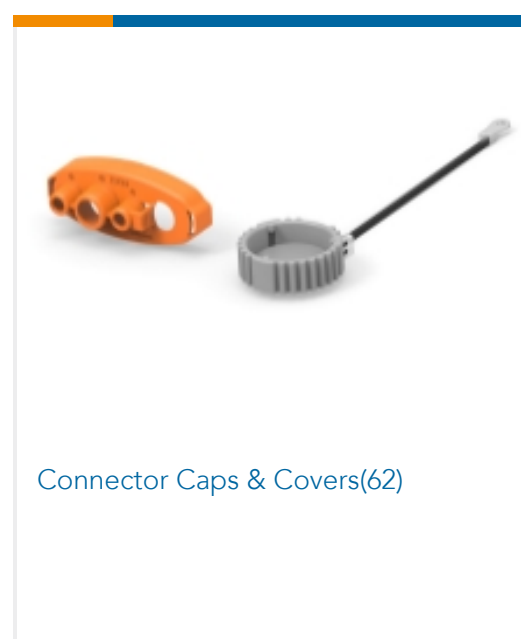
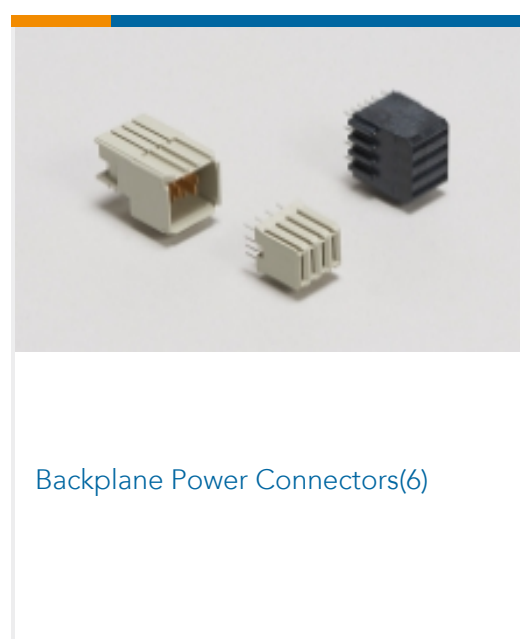
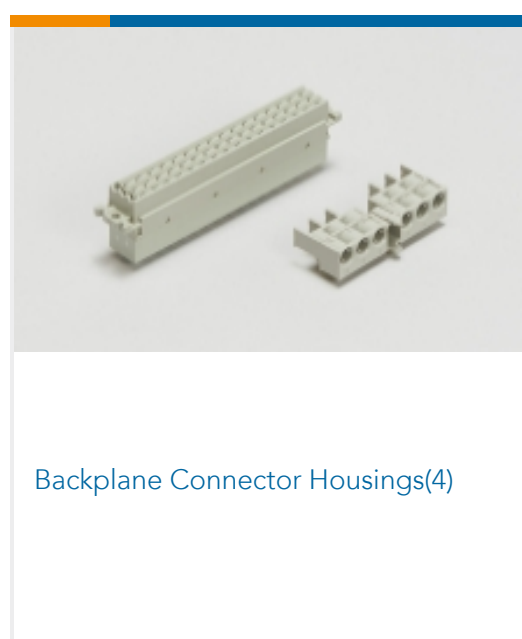
Product Compliance Disclaimer

This information is provided based on reasonable inquiry of our suppliers and represents our current actual knowledge based on the information they provided. This information is subject to change. The part numbers that TE has identified as EU RoHS compliant have a maximum concentration of 0.1% by weight in homogenous materials for lead, hexavalent chromium, mercury, PBB, PBDE, DBP, BBP, DEHP, DIBP, and 0.01% for cadmium, or qualify for an exemption to these limits as defined in the Annexes of Directive 2011/65/EU (RoHS2). Finished electrical and electronic equipment products will be CE marked as required by Directive 2011/65/EU. Components may not be CE marked. Additionally, the part numbers that TE has identified as EU ELV compliant have a maximum concentration of 0.1% by weight in homogenous materials for lead, hexavalent chromium, and mercury, and 0.01% for cadmium, or qualify for an exemption to these limits as defined in the Annexes of Directive 2000/53/EC (ELV). Regarding the REACH Regulation, the information TE provides on SVHC in articles for this part number is based on the latest European Chemicals Agency (ECHA) 'Guidance on requirements for substances in articles' posted at this URL: <https://echa.europa.eu/guidance-documents/guidance-on-reach>

Compatible Parts

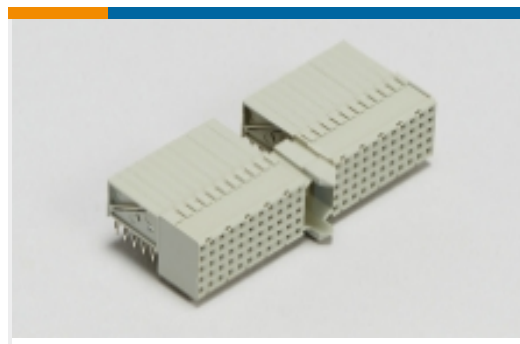


Also in the Series | Z-PACK 2mm HM

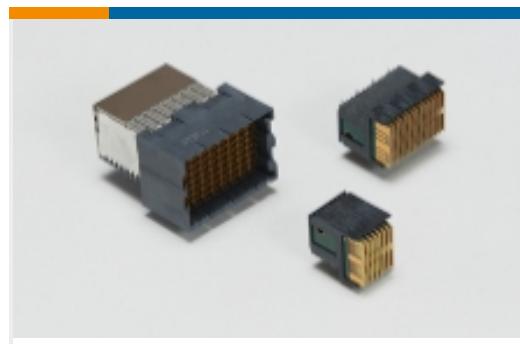




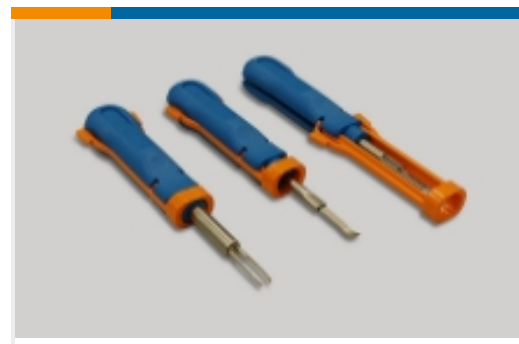
Connector Hardware(97)



Hard Metric Backplane Connectors (267)



High Speed Backplane Connectors(1)



Insertion & Extraction Tools(2)

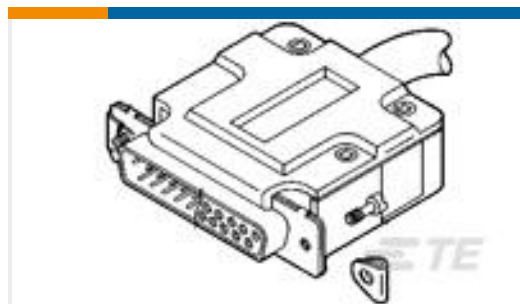


Rectangular Power Connectors(87)

Customers Also Bought



TE Part #1-1462037-3
IM02TS=IM RELAY 140mW 4.5V



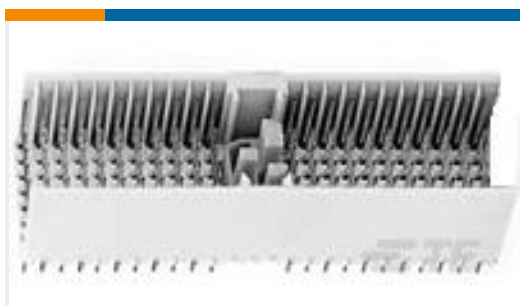
TE Part #1-5207908-0
KIT S/R SCREW RET 90/180 DEG



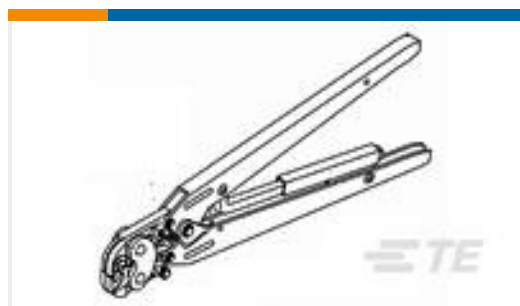
TE Part #1676230-2
RN 0805 1K37 0.1% 10PPM 1KRL



TE Part #6116202-2
MJ,TE,8P,COMPL.PIN,CAT5,PC,Nat



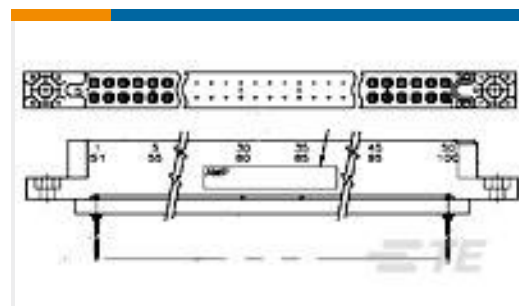
TE Part #5188398-9
2MMHM,HDR,TYPE A,LUBE



TE Part #47386
DAHT PG PIDG 26-16 ASSY



TE Part #120955-1
TE UPM R/A Header 5P HC Power, LLLL



TE Part #534650-9
BOX RECP 110 POS STAG SEALED



TE Part #3-2176375-5
RQ 0805 2K61 0.1% 10PPM 1K RL



TE Part #2390484-1
CA,8P MBXLE TO 8X FASTON 250

Documents



Product Drawings

UPM GUIDE MODULE

English

CAD Files

Customer View Model

[ENG_CVM_CVM_5223957-1_A.2d_dxf.zip](#)

English

3D PDF

3D

Customer View Model

[ENG_CVM_CVM_5223957-1_A.3d_igs.zip](#)

English

Customer View Model

[ENG_CVM_CVM_5223957-1_A.3d_stp.zip](#)

English

By downloading the CAD file I accept and agree to the [Terms and Conditions](#) of use.

Datasheets & Catalog Pages

POWER_CONNECTORS_CATALOG_SEC01_BOARD_TO_BOARD

English

[2_PIECE_POWER_CONNECTORS_qrg_4-1773458-1](#)

English

Product Specifications

Engineering Report

English