

THIS DRAWING IS UNPUBLISHED.

RELEASED FOR PUBLICATION

20

© COPYRIGHT 20 BY -

ALL RIGHTS RESERVED.

REVISIONS

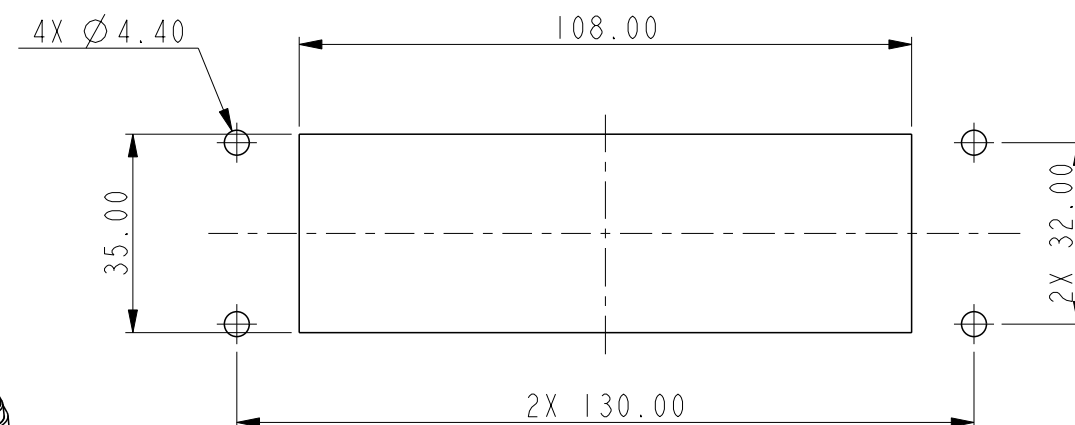
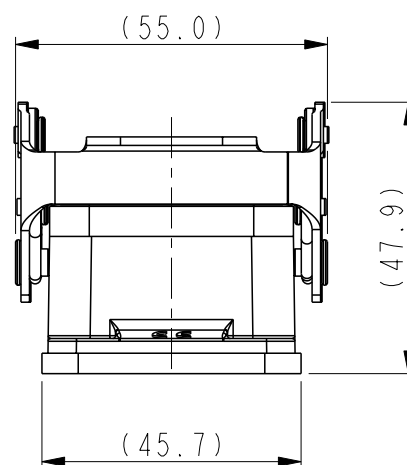
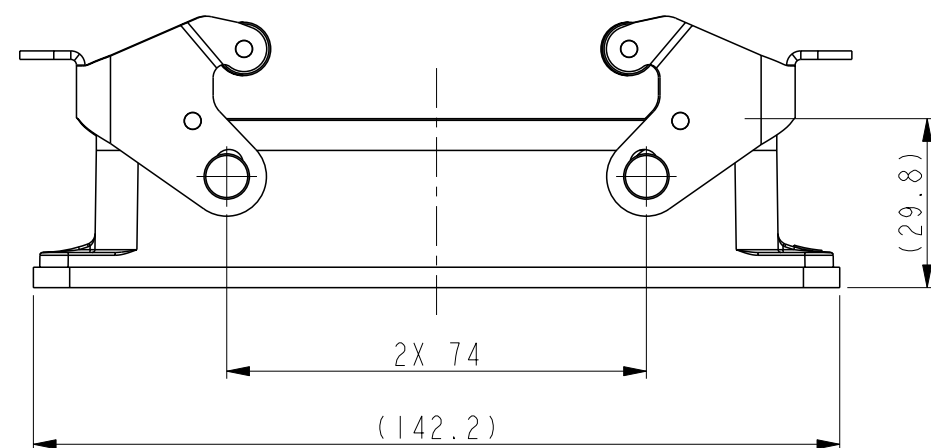
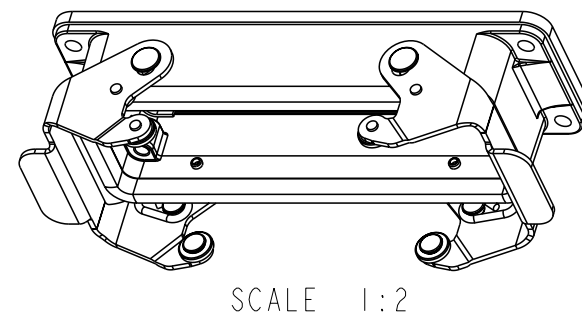
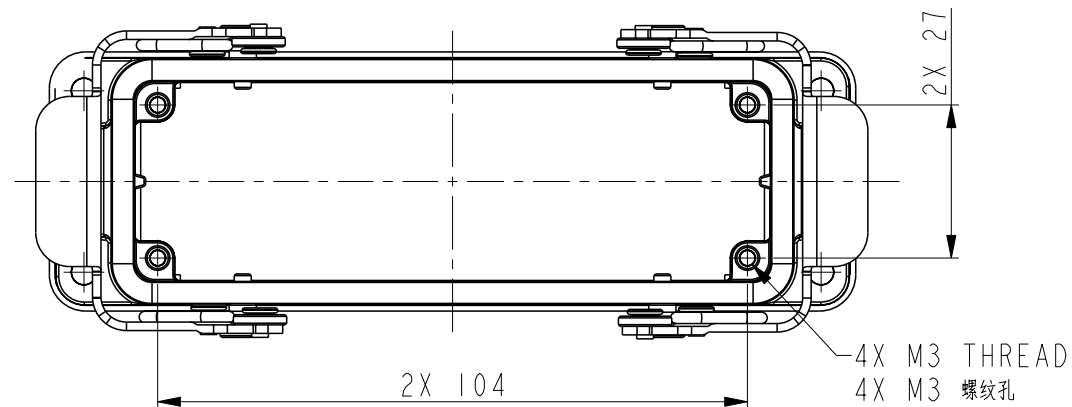
P	LTR	DESCRIPTION	DATE	DWN	APVD
	A	INITIAL	12JUN2015	DL	CW
	AI	ECR-17-017262	24NOV2017	CH	CW
	B	ECR-20-014876	04JUN2021	WQR	CW

NOTES:

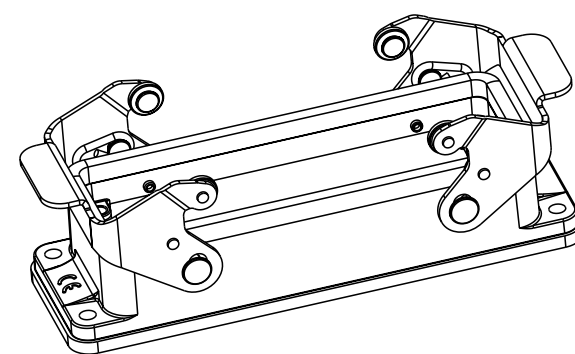
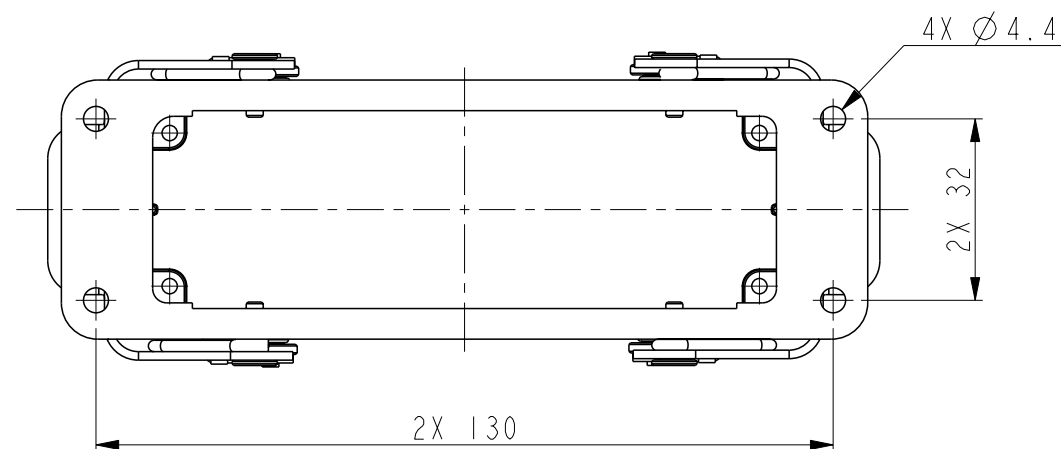
1. TECHNICAL CHARACTERISTICS:
 BODY MATERIAL: DIE CAST ALUMINIUM ALLOY
 SURFACE TREATMENT: POWDER COATED, COLOR SEE TABLE
 DEGREE OF PROTECTION: IP65 (MATED)

注释:

1. 技术参数:
 主体材料: 铝合金
 表面处理: 粉末喷涂, 颜色见表格
 防护等级: IP65(配合)

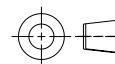


开孔安装示意图
PANNEL CUT OUT



THIS DRAWING IS A CONTROLLED DOCUMENT.

DIMENSIONS:
mm



TOLERANCES UNLESS OTHERWISE SPECIFIED:

0 PLC	±-
1 PLC	±-
2 PLC	±-
3 PLC	±-
4 PLC	±-
ANGLES	±-
FINISH	-

MATERIAL

DWN 12JUN2015

DAVID.LI

CHK 12JUN2015

CHRIS.WANG

APVD 12JUN2015

XIANG.XU

PRODUCT SPEC

108-137013

APPLICATION SPEC

114-137013

WEIGHT

-

CUSTOMER DRAWING

NAME

H24B-AGS

SIZE

A3

CAGE CODE

-

DRAWING NO

CTI41024X000X00

RESTRICTED TO

-

SCALE 3:4

SHEET 1 OF 2

REV B

TE TE Connectivity

THIS DRAWING IS UNPUBLISHED.

RELEASED FOR PUBLICATION

20

© COPYRIGHT 20 BY -

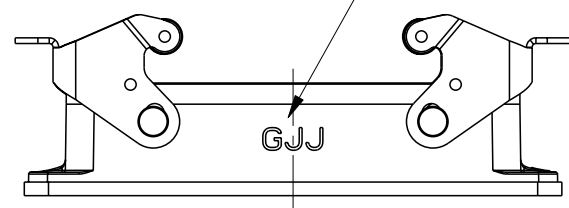
ALL RIGHTS RESERVED.

REVISIONS

P	LTR	DESCRIPTION	DATE	DWN	APVD
-		SEE SHEET 1	-	-	-

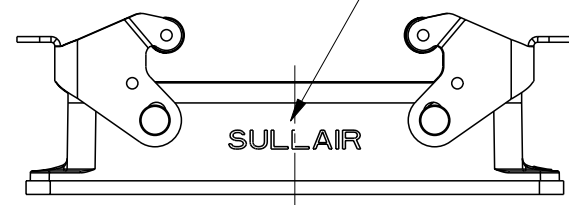
NOTES:
SEE SHEET 1

LOGO LASER PRINTING, ARIAL FONT, HIGHT 6mm
MIDDLE LOCATED PER ACTUAL CONDITION
LOGO 激光打字, ARIAL 字体, 字高6mm, 激光打字按照实际情况居中放置




PART NUMBER: T1410241000-G00
料号: T1410241000-G00

LOGO LASER PRINTING, ARIAL FONT, HIGHT 5mm
MIDDLE LOCATED PER ACTUAL CONDITION
LOGO 激光打字, ARIAL 字体, 字高5mm, 激光打字按照实际情况居中放置



PART NUMBER: T1410249000-000
料号: T1410249000-000

T1410249000-000	SL24B-AGS	H24B HOUSING, BULKHEAD MOUNTED, STAINLESS STEEL DOUBLE LOCKING, POWDER COATED, GREY, SULLAIR H24B下壳, 开孔安装, 不锈钢双扣, 灰色粉末喷涂, SULLAIR
T1410244000-000		H24B HOUSING, BULKHEAD MOUNTED, STAINLESS STEEL DOUBLE LOCKING, POWDER COATED, SILVER WHITE H24B下壳, 开孔安装, 不锈钢双扣, 银白色粉末喷涂
T1410241000-100	H24B-AGS	H24B HOUSING, BULKHEAD MOUNTED, STAINLESS STEEL DOUBLE LOCKING, POWDER COATED INSIDE AND OUTSIDE, GREY/H24B下壳, 开孔安装, 不锈钢双扣, 灰色粉末里外喷涂
T1410241000-G00		H24B HOUSING, BULKHEAD MOUNTED, STAINLESS STEEL DOUBLE LOCKING, POWDER COATED, GREY, GJJ H24B下壳, 开孔安装, 不锈钢双扣, 灰色粉末喷涂, GJJ
PART NUMBER 料号	PART DESCRIPTION 描述	

THIS DRAWING IS A CONTROLLED DOCUMENT.		DWN DAVID.LI 12JUN2015	 TE Connectivity NAME H24B-AGS	
DIMENSIONS: mm		CHK CHRIS.WANG 12JUN2015		
TOLERANCES UNLESS OTHERWISE SPECIFIED:		APVD XIANG.XU 12JUN2015		
0 PLC ±- 1 PLC ±- 2 PLC ±- 3 PLC ±- 4 PLC ±- ANGLES ±-		PRODUCT SPEC 108-137013		
MATERIAL -		FINISH -	APPLICATION SPEC 114-137013	SIZE A3
			WEIGHT -	CAGE CODE -
				DRAWING NO G-T141024X000X00
				RESTRICTED TO -
				SCALE 3:4
				SHEET 2 OF 2
				REV B

Printed on 4 Jun 2021 13:43 (China Standard Time) from TE343646

A

A

D

D

C

B