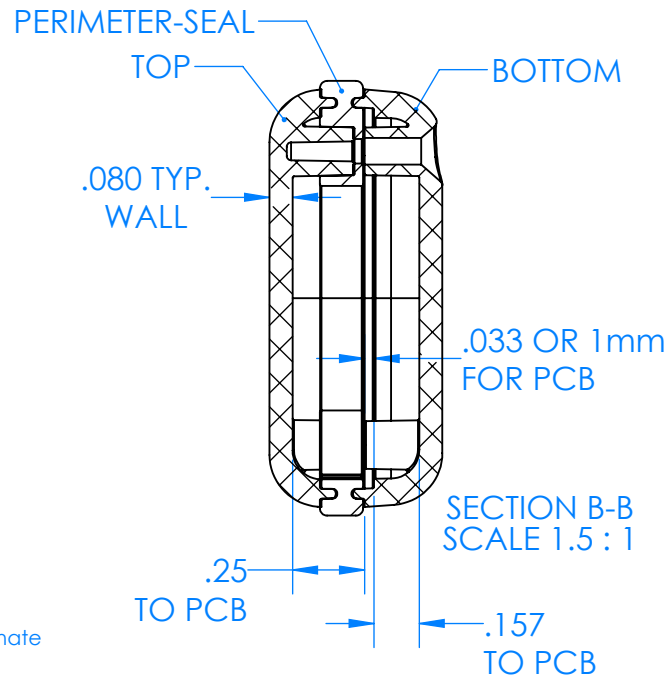
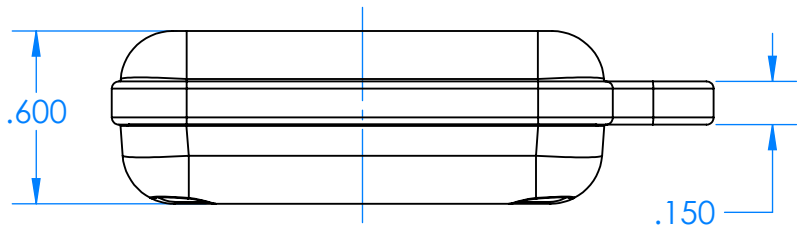
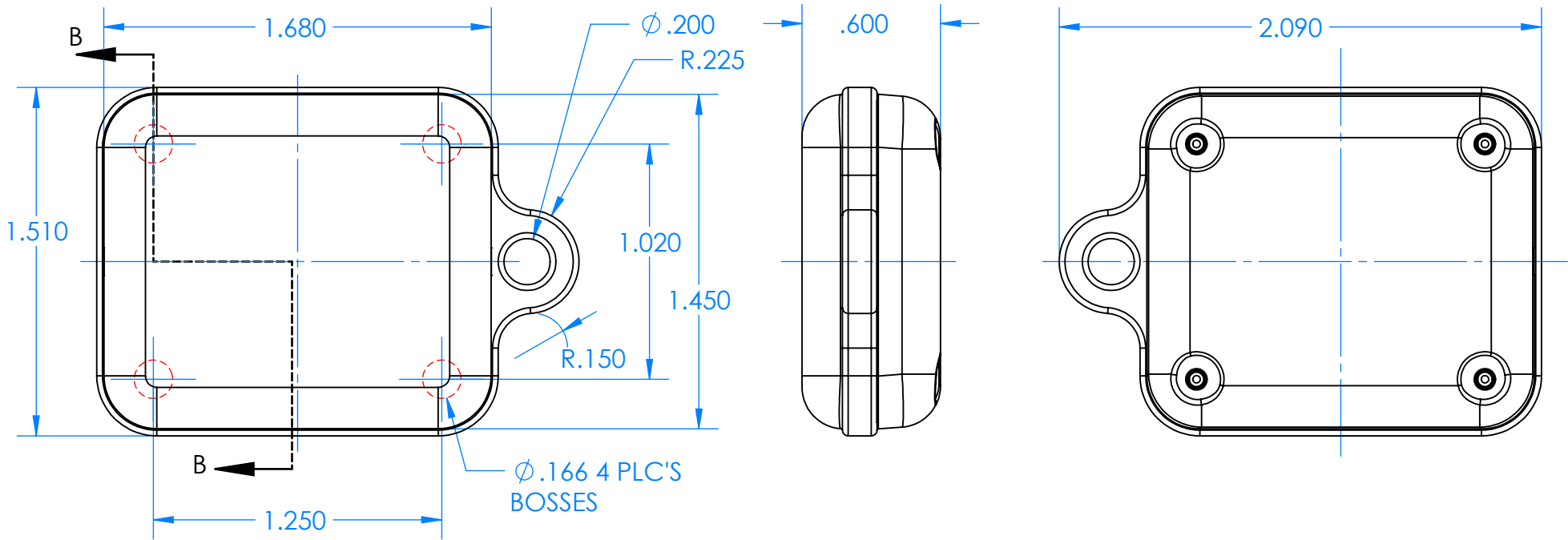


SERPAC CXL23AYYAZZ

Electronic Enclosures



Color options:
 YY (Enclosure Color)
 BK=Black

ZZ (Seal Color)
 BK=Black
 GM=GunMetal
 YL=Yellow
 OR=Orange
 NO=NeonOrange
 NG=NeonGreen
 BL=Blue

| PN | Description |
|----------|-----------------------------|
| 5510A,YY | (1) BW 2A Top,YY |
| 5513A,YY | (1) BW 2B Bottom,YY |
| 5522A,ZZ | (1) CXL2 Perimeter Seal, ZZ |
| 6003 | (4) #2 X 1/2" PH HD screw |

-Material: UV stabilized Polycarbonate
 Flammability UL 94 V-0
 -Watertight enclosure meets or
 exceed Nema 4 and or IP67.

SERPAC CXL23AYYAZZ

Electronic Enclosures

CIRCUIT BOARD

