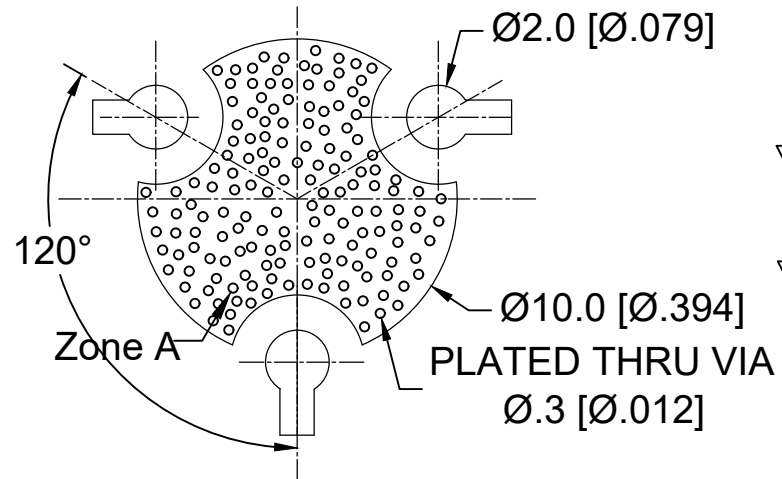
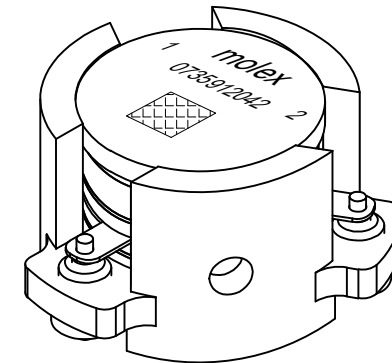
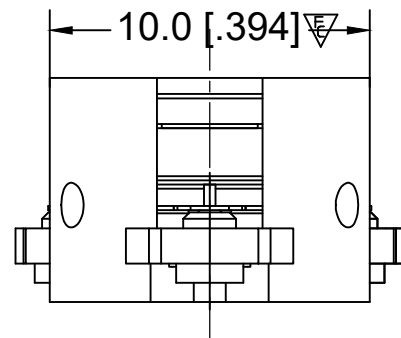
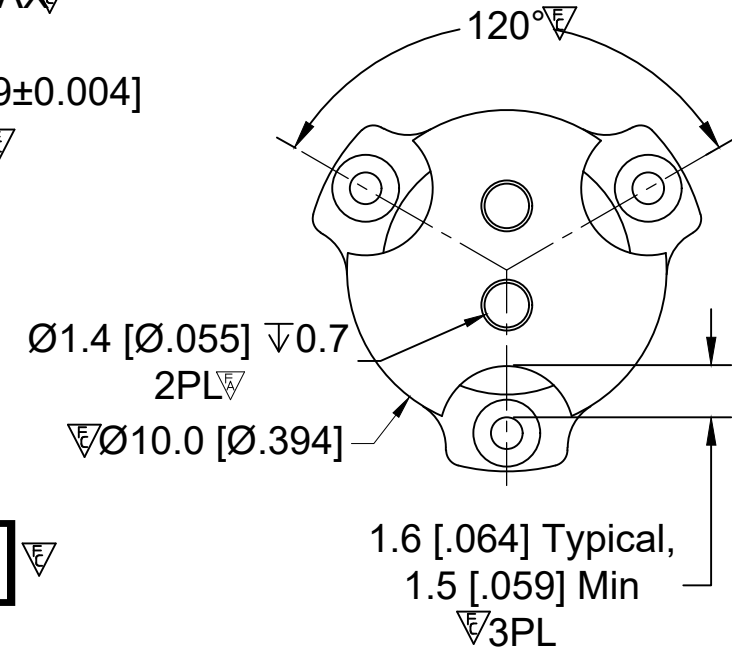
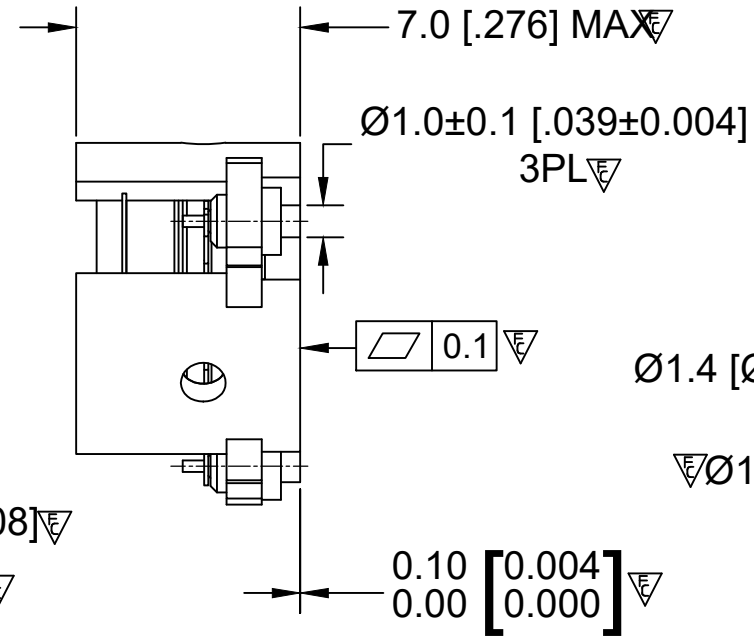
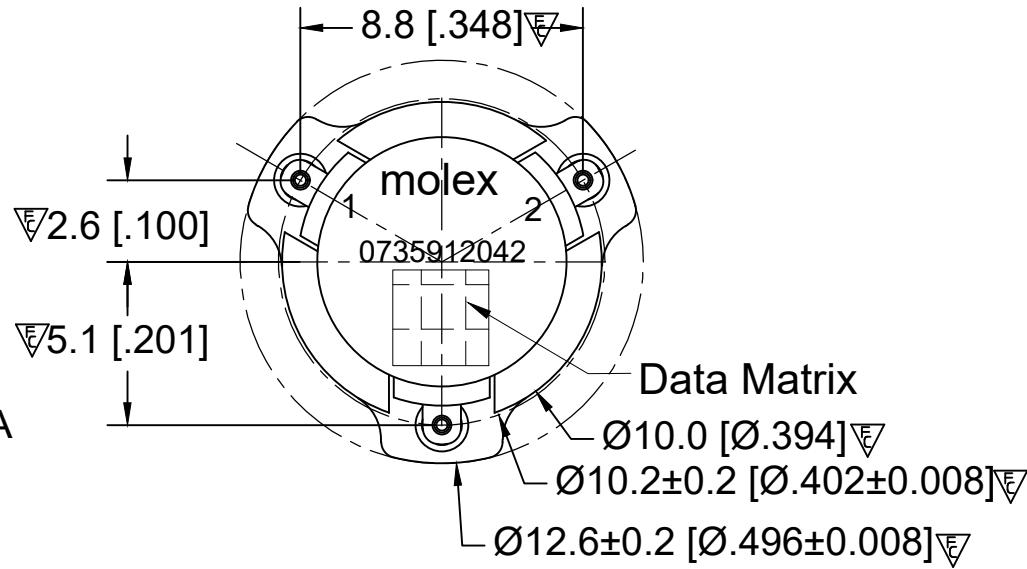


**RECOMMENDED LAND PATTERN :**

Zone A must be attached to heat sink. Thermal conductivity of intermediate layers between Zone A and heat sink must be better than 0.1 W / [°C x mm].



PCB Material :Rogers RO4350B,0.508mm thickness  
trace width 1.07mm wide.



BODY: CARBON STEEL, SILVER PLATED  
RIGID PINS: COPPER, SILVER PLATED

**NOTES:**

- 1.STANDARD INPUT/OUTPUT IMPEDANCE 50 Ohm
- 2.LEAD FREE, NO Nd MATERIAL, BeO FREE
- 3.THE DIMENSION OF DATE MATRIX IS 3X3MM INFORMATION INCLUDING WORK ORDER NUMBER-SERIAL NUMBER-MATERIAL NUMBER
- 4.THIS PART COMPLIES WITH ALL RoHS REQUIREMENTS

**ELECTRICAL SPECIFICATION :**

Frequency Range : 5150~5925 MHz  
 Insertion Loss : 0.40 dB max,0.35 dB Typical  
 Isolation : 19 dB min, 20 dB Typical  
 Return Loss : 19 dB min, 20 dB Typical  
 IMD3(2x1W CW tones,1MHz spacing): -60dBc max  
 Average power: : 50W  
 Peak Power: : 200W  
 Operating Temperature : -40°C to +105°C  
 Storage Temperature : -55°C to +125°C  
 Direction : CW

**ENG PART#:802-515-592-VP040**

THIS DRAWING CONTAINS INFORMATION THAT IS PROPRIETARY TO MOLEX ELECTRONIC TECHNOLOGIES, LLC AND SHOULD NOT BE USED WITHOUT WRITTEN PERMISSION									
FUNCTIONAL SYMBOLS	DIMENSION UNITS	SCALE	CURRENT REV DESC:						
$\nabla_A=0$	MM	1:1	RELEASE TO PROD						
$\nabla_E=0$	GENERAL TOLERANCES (UNLESS SPECIFIED)		EC NO: 696580						
$\nabla_P=0$	mm INCH		DRWN: SREN05 2022/02/21						
DIVISIONAL SYMBOLS	4 PLACES	±0.005 ±----	CHK'D: JLI252 2022/02/23						
	3 PLACES	±0.025 ±----	APPR: HWANG186 2022/03/01						
	2 PLACES	±0.13 ±----	INITIAL REVISION:						
	1 PLACE	±0.2 ±----	DRWN: SREN05 2021/11/15						
	0 PLACES	±0.4 ±----	APPR: HWANG186 2022/03/01						
	ANGULAR TOL ± 1.5 °		DOCUMENT NUMBER						
	DRAFT WHERE APPLICABLE MUST REMAIN WITHIN DIMENSIONS		THIRD ANGLE PROJECTION		DRAWING	SERIES	MATERIAL NUMBER	CUSTOMER	SHEET NUMBER
			A3-SIZE		73591	0735912042	CUSTOM PART	1 OF 1	