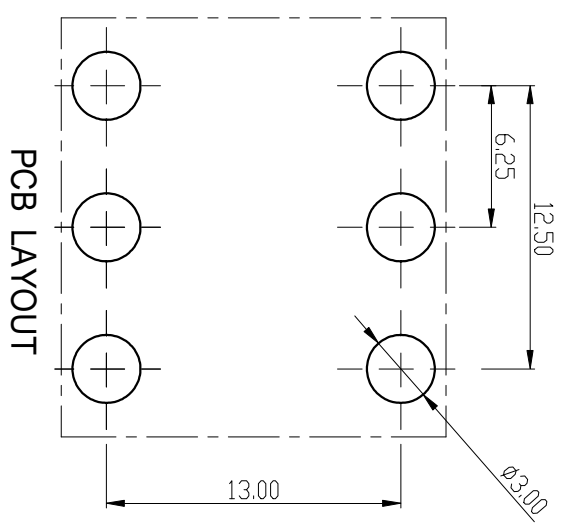
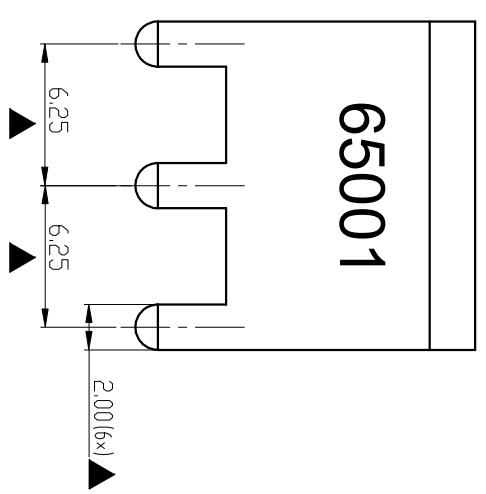
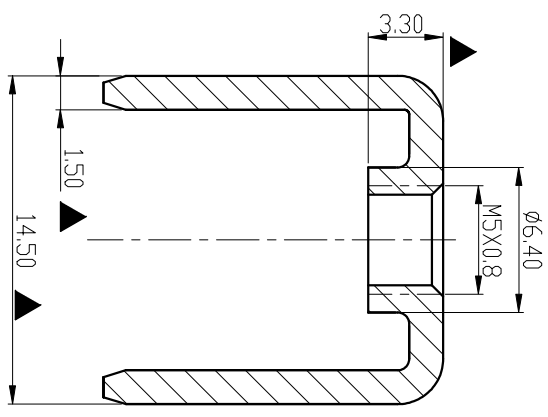
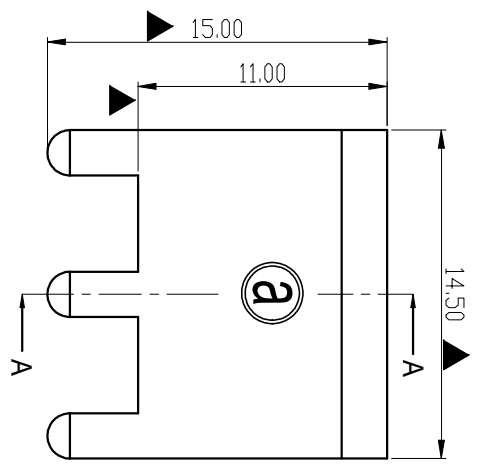


RoHS Compliant

Rev.	Sign	Date	Description	Approver
THIS IS CAD DRAWING, DO NOT REVISE MANUALLY!!!				

Technical Specification:

1. Material: Copper alloy ,Matte Tin Plated
2. Current: 90A.
3. Torque: 18 lbf.in.
4. Mark "▲" is the Critical dimension.



Amphenol ANYTEK		CUSTOMER COPY	
ALL RIGHTS RESERVED. REPRODUCTION OR ISSUE TO THIRD PARTIES IN ANY FORM, WHATEVER IS NOT PERMITTED WITHOUT WRITTEN AUTHORITY FROM THE PROPRIETOR, PROPERTY OF ANYTEK TECHNOLOGY CO., LTD			
TITLE	AMT65001 Stamped Terminal	DWG NO.	8AMT10030
PART NO.	AMT10650001TH0000G	CUST NO.	
APPROVED	CHECKED	DESIGNED	DRAWN
	Seamus 2023.10.18	Seamus 2023.10.18	Seamus 2023.10.18
Tolerance		UNIT: mm	>30 ±0.60
		SCALE: NONE	6-30 ±0.40
		REV: A0	0-6 ±0.30
		SHEET: 01/01	ANGLES ±1°