



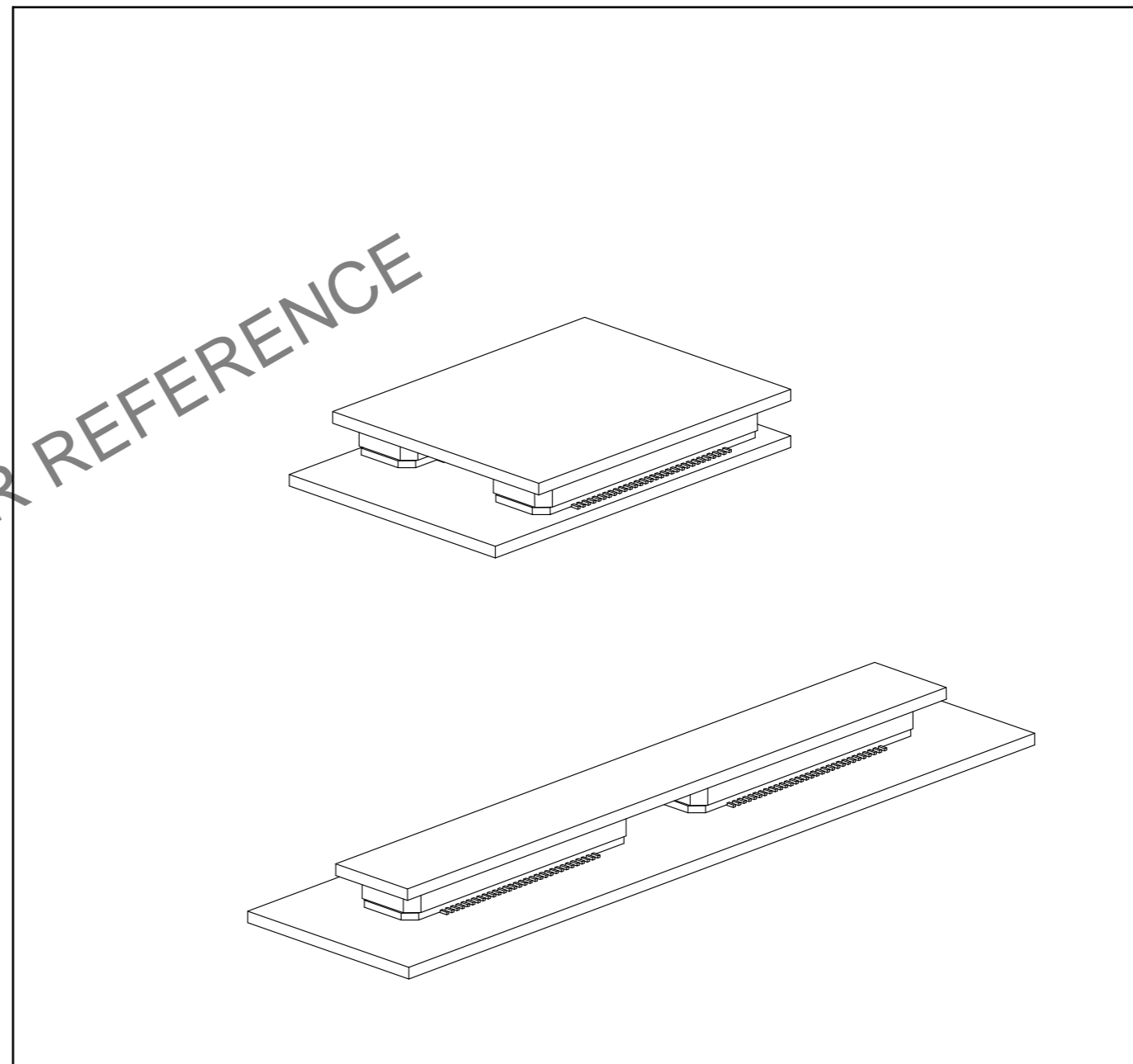
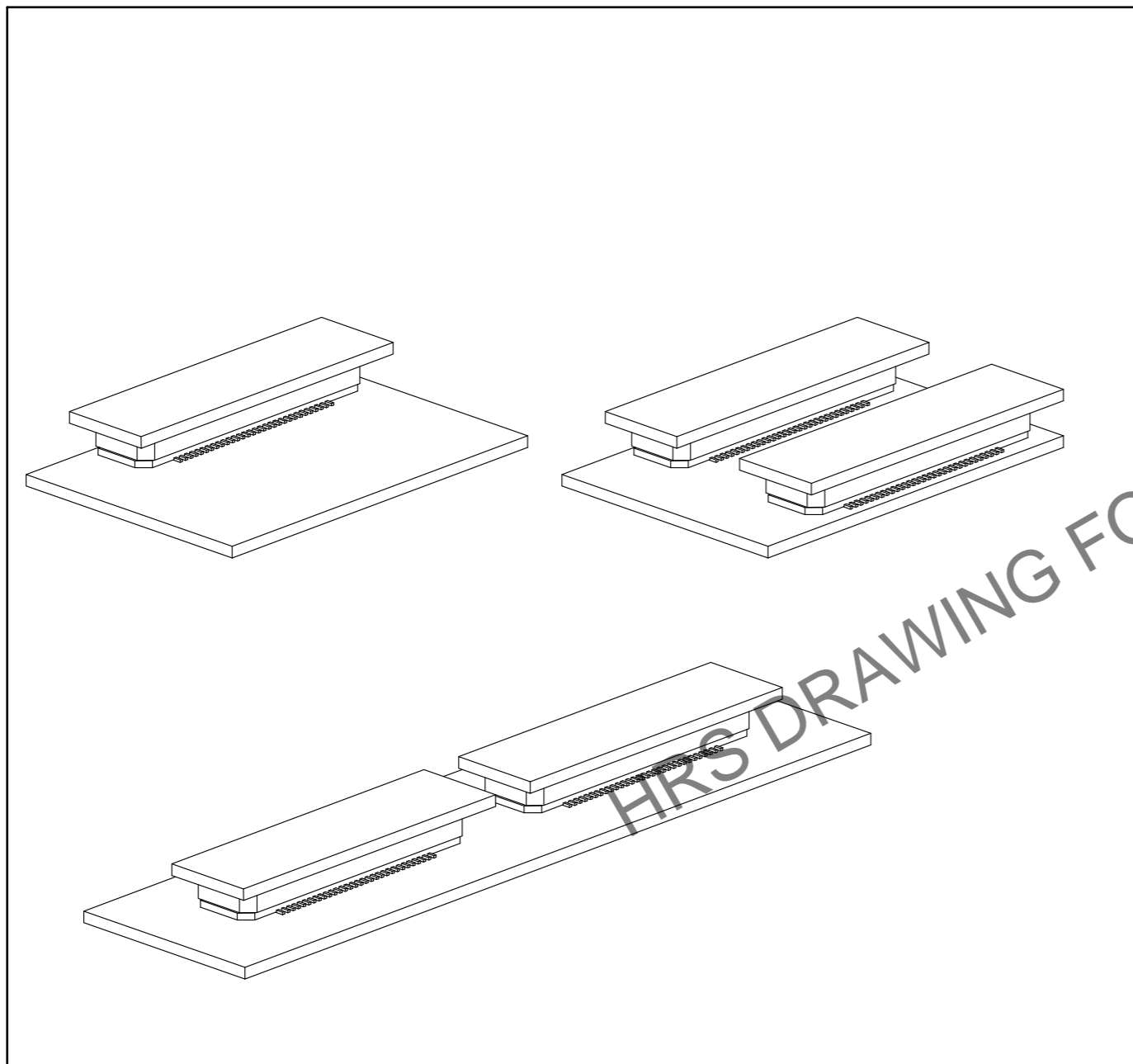
In case of consideration for using Automotive equipment / device which demand high reliability, kindly contact our sales window correspondents.

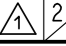
【 Precaution 】

When a board with multiple connectors mounted is mated, the connector may be damaged or deformed.  
Please divide one side of the board so only one connector is mated per board.

OK

NG



<b>HRS</b>	DRAWING NO.	EDC-150570-71-25		2/2
	PART NO.	FX8-90P-SV1(71)		
	CODE NO.	CL578-0044-9-71		