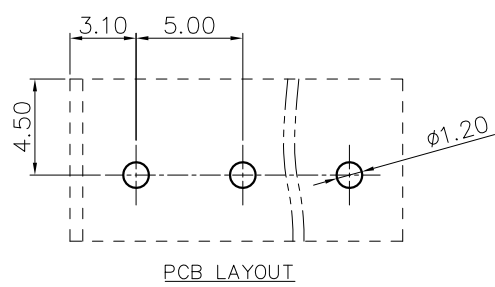
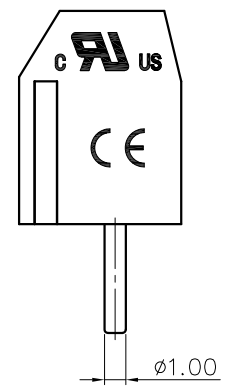
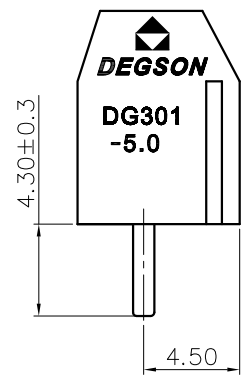
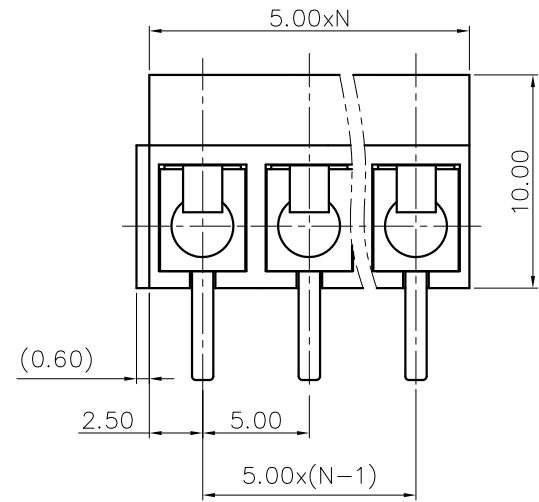
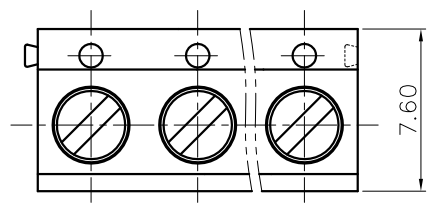


REVISION RECORD				
REV	ECN	DESCRIPTION	DRFT	DATE

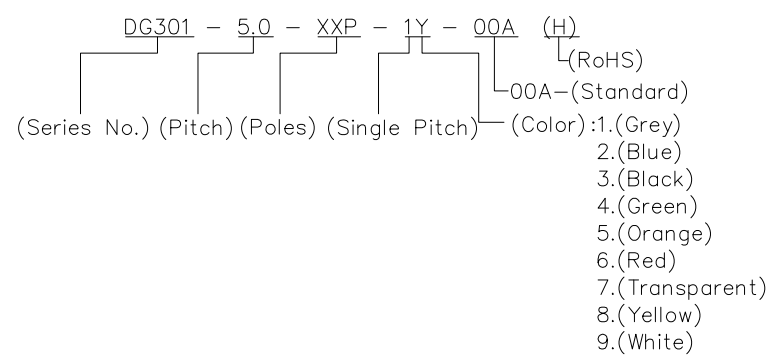


- NOTES1:
- UL Standard
 - 1.Rated Voltage/Current : 300V / 15A
 - 2.Torque Value : M2.5 , 2.60Lb.in
 - 3.Wire Range : 22~14AWG
- IEC Standard
- 1.Rated Voltage/Current : 250V / 17.5A
 - 2.Torque Value : M2.5 , 0.29N.m
 - 3.Wire Range : 0.75~1.5mm²

- NOTES2:
- 1.Dimension shall be interpreted per ASME Y14.5-2009
 - 2.Pitch : 5.0mm, Poles : N=02~24P
 - 3.Stripping length : 5~6mm
 - 4.Withstanding Voltage : AC2000V/1Min.
 - 5.Operating temperature: -30°C~+120°C
 - 6.Undimensioned Tolerances:

Pitch Range In mm		Nominal Dimension Range In mm				∩	∇
TO	Over TO	Over TO	Over TO	Over TO	Over TO	0.1/10	<
6	10	24	30	60	100	150	
±0.15	±0.20	±0.30	±0.30	±0.50	±0.70	±1.00	±1.30

7.RoHS Compliance



DETACHED LISTS	PART NO.:	NINGBO DEGSON ELECTRICAL CO., LTD			
	APPD:	NAME: DG301-5.0-XXP-1Y-00A(H)			
	CHKD:	TITLE: CUSTOMER DRAWING			
	DRFT:	DRAWING NO.:		REV	DO
THIRD ANGLE PROJECTION		MM (INCH)	DO NOT SCALE DRAWING	SHEET 1/1	SCALE 1:1