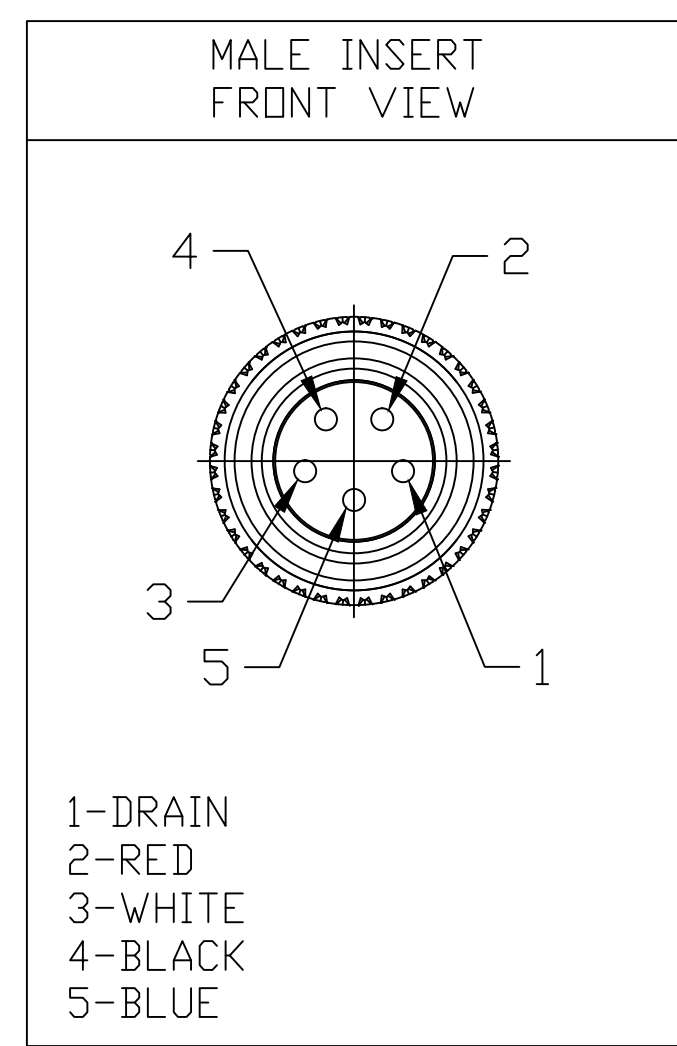
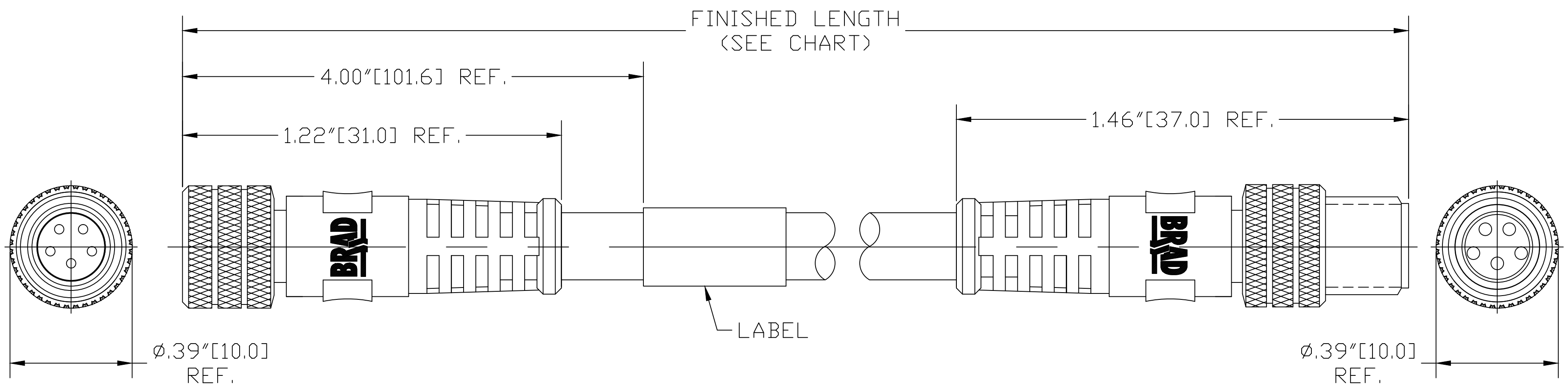


13	12	11	10	9	8	7	6	5	4	3	2	1
MATERIAL NUMBER		OLD PART NUMBER		FINISHED LENGTH								
130030-0003		445030D12M010		3.28' +2.19" -0 [1.0M +55.6mm -0]								

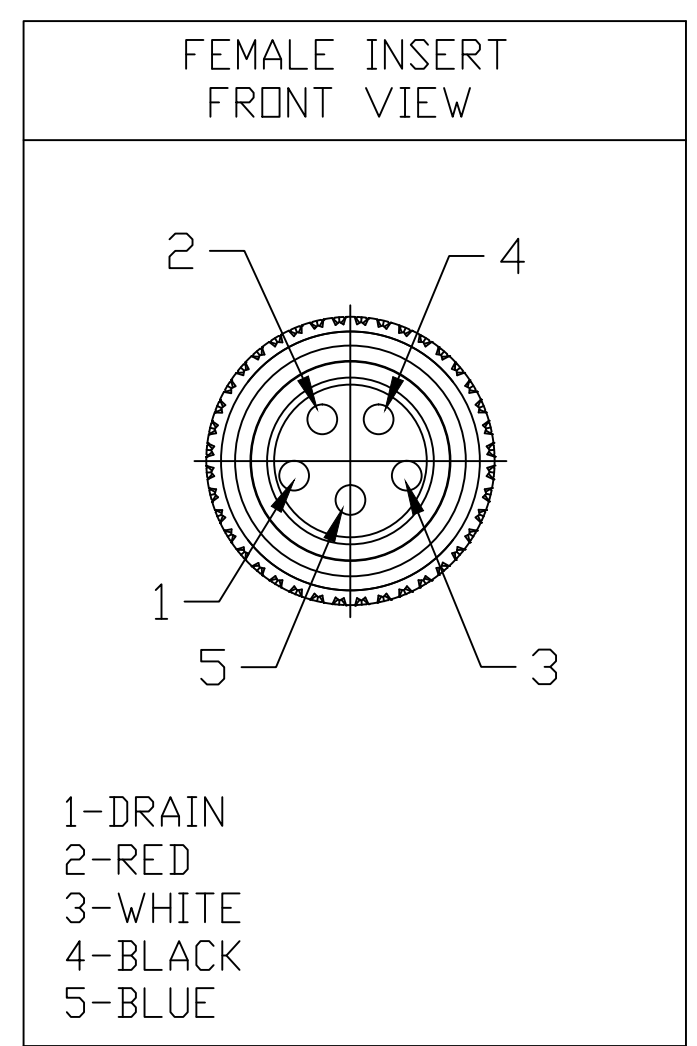
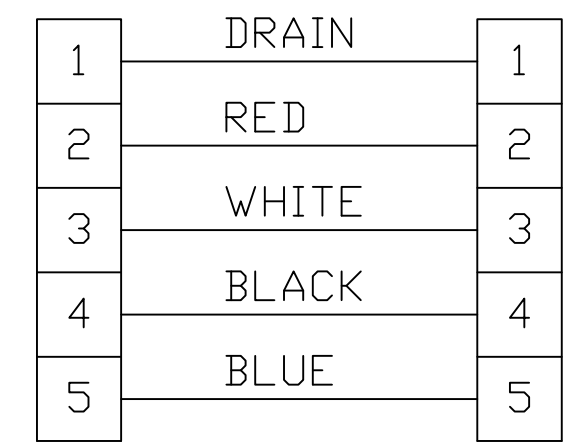


445030D12M010

Wire type
26 AWG
Gray PVC

cable length
M020----2 Meter
M100----10 Meter

CONTACT:	GOLD/NICKEL OVER COPPER ALLOY
INSERT:	PUR, BLACK
COUPLING NUT:	BRASS, NICKEL PLATED
MOLDED BODY:	RITREFLEX, GRAY
VOLTAGE RATING:	60 VAC/75 VDC
AMPERAGE RATING:	1.68 AMPS
PROTECTION:	IP67
OPERATING TEMPERATURE:	-20°C TO 80°C



INITIAL RELEASE EC NO.: IPG2013-1910 DRWN: EBRACKEN 2013/06/21 CHKD: RSTONE APPR: BWOODMAN 2013/08/14 REV A	QUALITY SYMBOL 	GENERAL TOLERANCES (UNLESS SPECIFIED) <table border="1"> <tr> <td></td> <td>mm</td> <td>INCH</td> </tr> <tr> <td>4 PLACES</td> <td>±---</td> <td>±---</td> </tr> <tr> <td>3 PLACES</td> <td>±---</td> <td>±.005</td> </tr> <tr> <td>2 PLACES</td> <td>±0.13</td> <td>±.010</td> </tr> <tr> <td>1 PLACE</td> <td>±0.25</td> <td>±.020</td> </tr> </table>		mm	INCH	4 PLACES	±---	±---	3 PLACES	±---	±.005	2 PLACES	±0.13	±.010	1 PLACE	±0.25	±.020	DIMENSION STYLE IN/MM DRAWN BY: EBRACKEN DATE: 2013/06/18 CHECKED BY: RSTONE DATE: ---- APPROVED BY: BWOODMAN DATE: 2013/08/14	SCALE: --- DESIGN UNITS: INCH THIRD ANGLE PROJECTION	TITLE NANO-CHANGE ASSEMBLY 5 POLE M/MFE ST/ST #26 DROP CABLE 4-TPR MOLEX INCORPORATED	SHEET NO. 1 OF 1
		mm	INCH																		
	4 PLACES	±---	±---																		
	3 PLACES	±---	±.005																		
2 PLACES	±0.13	±.010																			
1 PLACE	±0.25	±.020																			
DRAFT WHERE APPLICABLE MUST REMAIN WITHIN DIMENSIONS		MATERIAL NO. SEE CHART	DOCUMENT NO. SD-130030-002	THIS DRAWING CONTAINS INFORMATION THAT IS PROPRIETARY TO MOLEX INCORPORATED AND SHOULD NOT BE USED WITHOUT WRITTEN PERMISSION																	