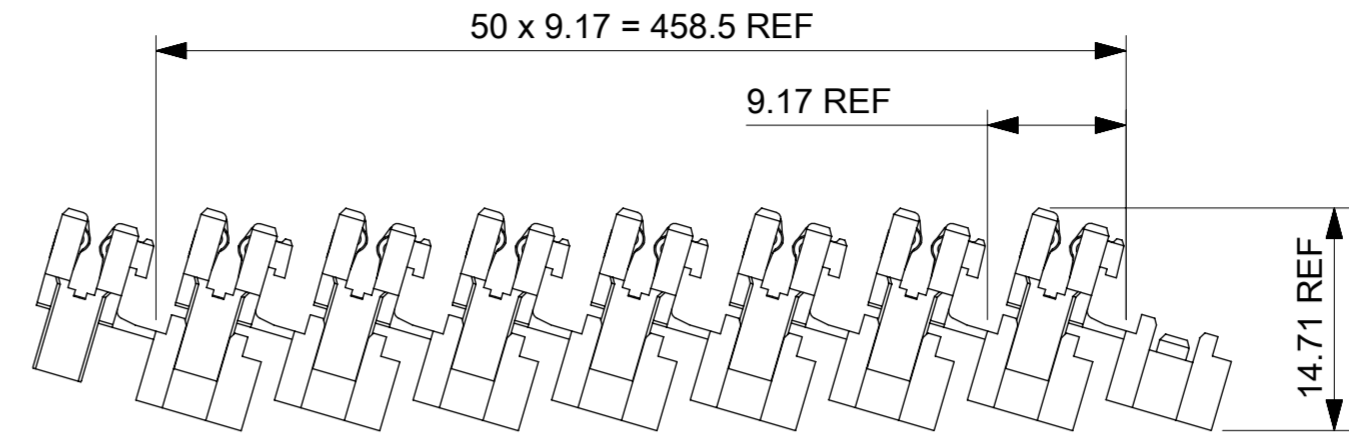
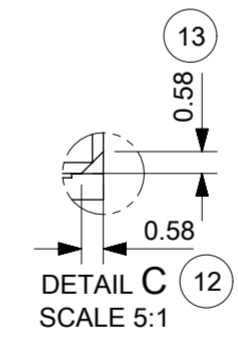
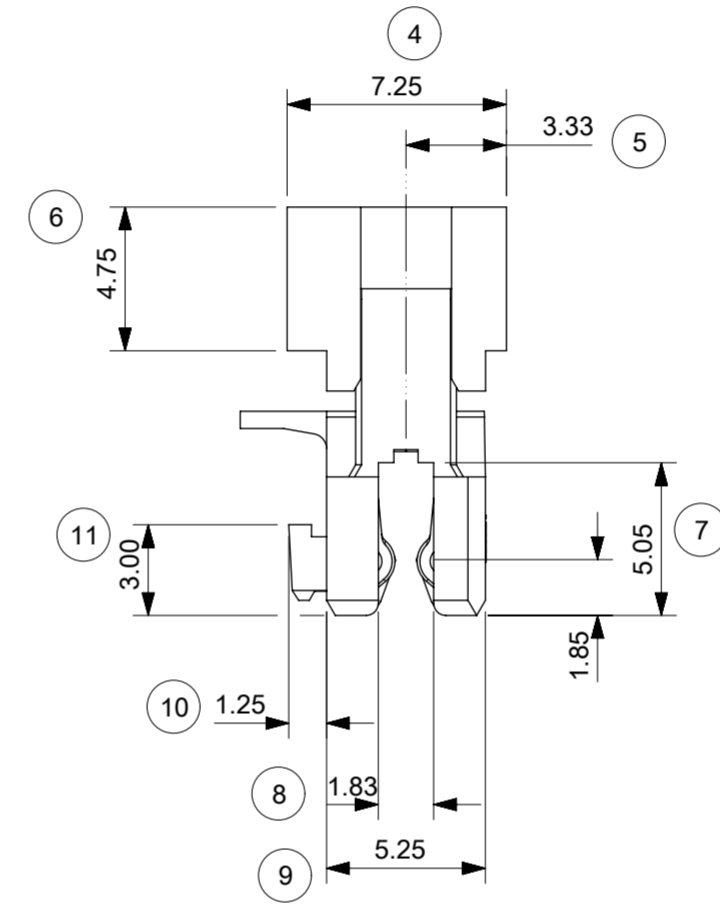
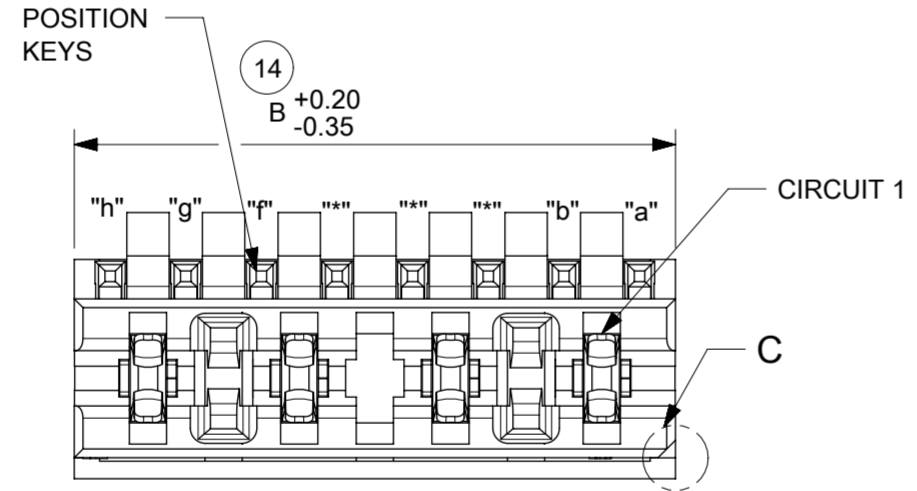
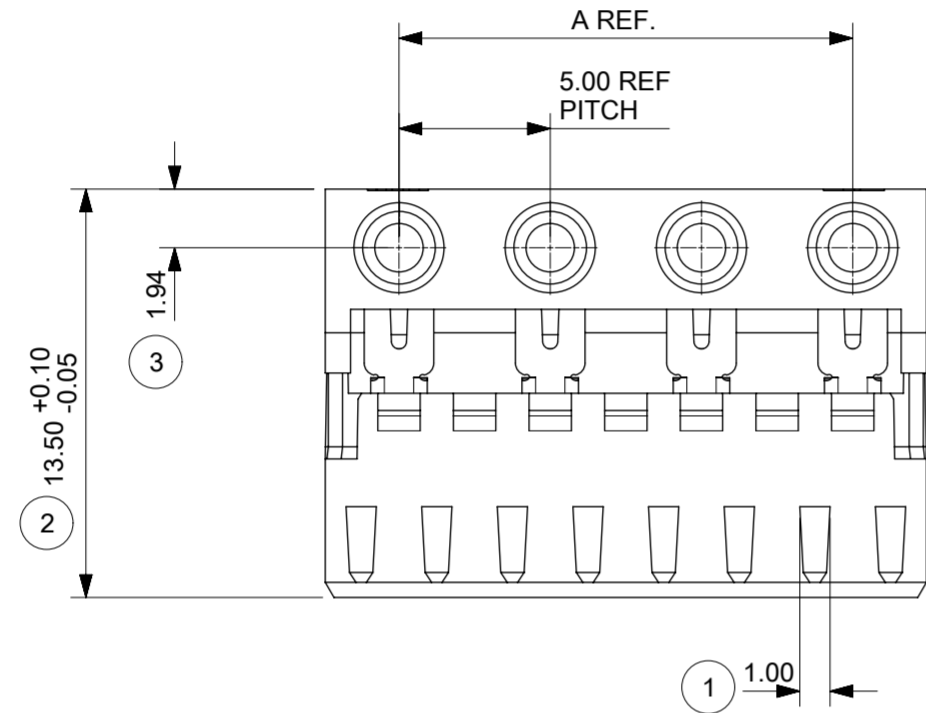
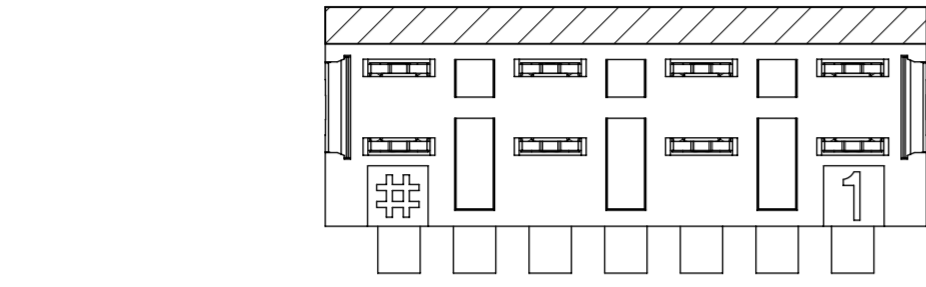


CCT	A	B
2	5.0	9.9
3	10.0	14.9
4	15.0	19.9
5	20.0	24.9
6	25.0	29.9
7	30.0	34.9
8	35.0	39.9



SHIPPING ARRANGEMENT

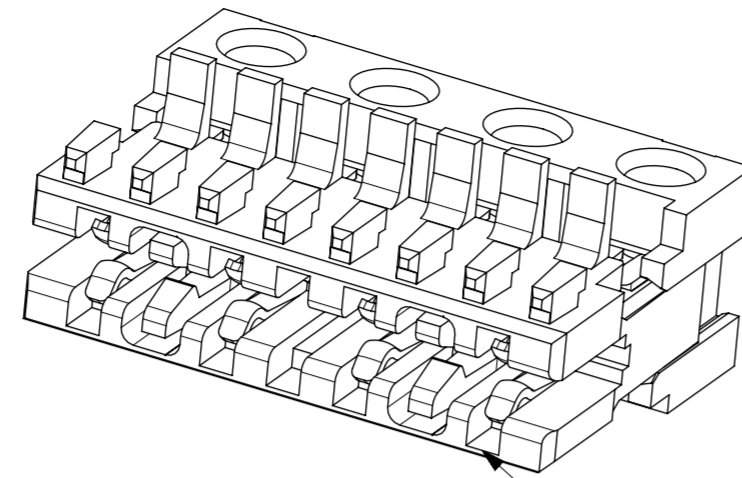


- NOTES:
- REFER TO PRODUCT SPECIFICATION: PS-93270-001.
  - MATERIAL: HOUSING - PA6 GF UL94-V2, COLOUR: NATURAL.  
TERMINAL: COPPER ALLOY 0.30 REF. THICK - PLATING HOT TIN DIP.
  - COLOUR STRIPE IS OPTIONAL. AVAILABLE IN THE FOLLOWING COLOURS: YELLOW, RED, GREEN, BLUE, BLACK & ORANGE.
  - REFER TO PACKAGING SPEC (PK-93270-001)
  - REFER TO APPLICATION SPEC (AS-93270-001)  
LAST INSPECTION NUMBER : 14

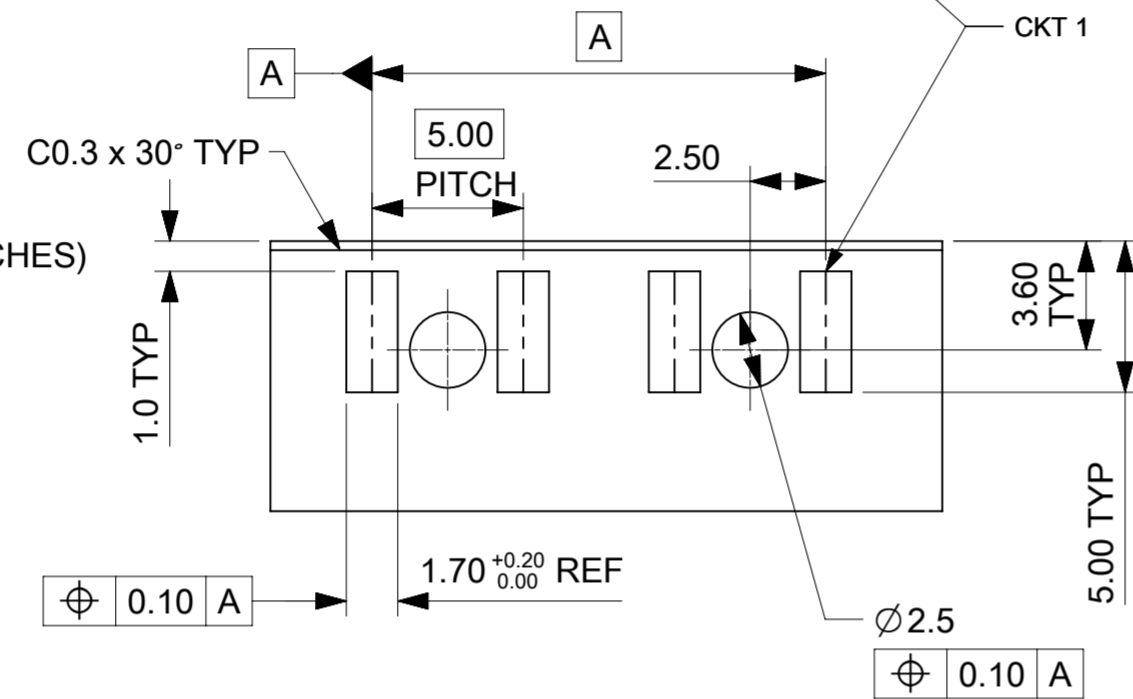
THIS DRAWING CONTAINS INFORMATION THAT IS PROPRIETARY TO MOLEX ELECTRONIC TECHNOLOGIES, LLC AND SHOULD NOT BE USED WITHOUT WRITTEN PERMISSION									
DIMENSION UNITS		SCALE		CURRENT REV DESC:					
mm		20:1							
GENERAL TOLERANCES (UNLESS SPECIFIED)				EC NO: 789494				<b>R POWER 10 A, 0.75MM2</b> <b>5MM TERMINAL PITCH (MATL: NYLON PA6)</b>	
ANGULAR TOL ± 0.5°				DRWN: RAHULH3 2024/05/10					
4 PLACES ±				CHK'D: MRAMAKRISHNA 2024/06/15				<b>PRODUCT CUSTOMER DRAWING</b>	
3 PLACES ± 0.05				APPR: MRAMAKRISHNA 2024/06/15					
2 PLACES ± 0.1				INITIAL REVISION:				DOCUMENT NUMBER	
1 PLACE ± 0.2				DRWN: MBN02 2022/05/09				2203300001	
0 PLACES ±				APPR: MRAMAKRISHNA 2023/02/08				DOC TYPE   DOC PART   REVISION	
DRAFT WHERE APPLICABLE MUST REMAIN WITHIN DIMENSIONS				THIRD ANGLE PROJECTION		DRAWING		SHEET NUMBER	
A2-SIZE		SERIES		MATERIAL NUMBER		CUSTOMER		1 OF 9	
		220330		SEE TABLE		GENERAL MARKET			

SINGLE ROW CODING KEYS OPEN  
END WALLS WITH LATCHES

END WALLS OPEN	
FIRST END WALL	LAST END WALL
OPEN	OPEN

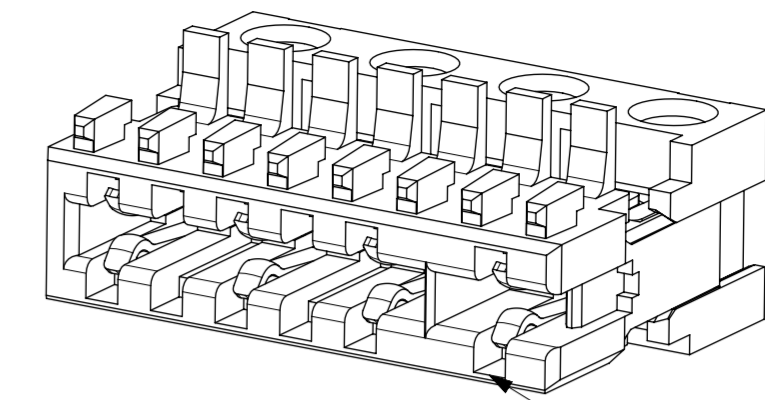


- PCB LAYOUT FOR 4CCT CONNECTOR (WITH NO OPTIONAL POSITIONAL RIB SLOT) (WITH HOLES FOR OPTIONAL INTERNAL LATCHES)
- RECOMMENDED PCB THICKNESS 1.5±0.14

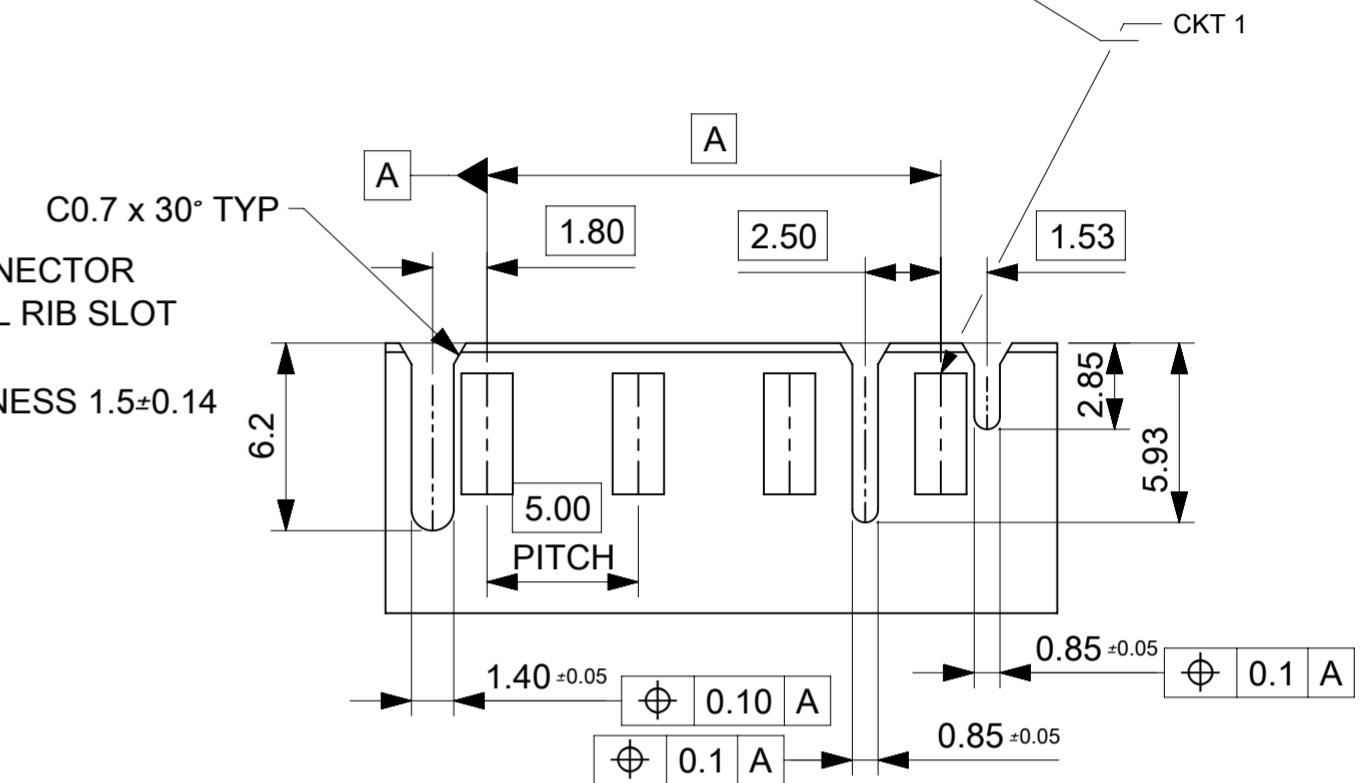


SINGLE ROW CODING KEYS OPTION A  
END WALLS WITH POLARIZING RIBS

OPTION A END WALLS	
FIRST END WALL	LAST END WALL
SHORT	CLOSED

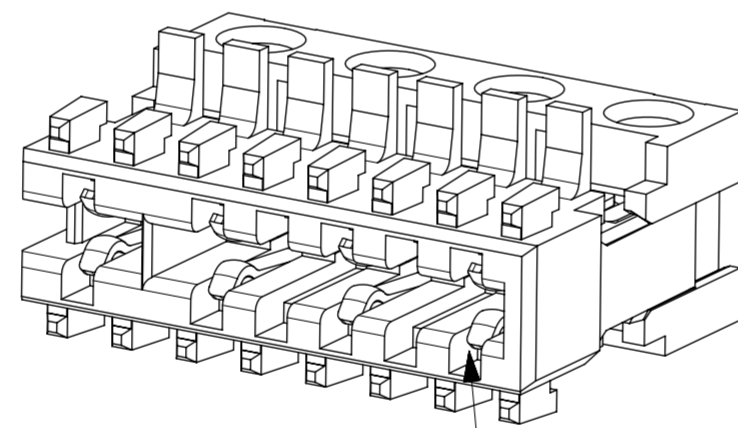


- PCB LAYOUT FOR 4CCT CONNECTOR (WITH OPTIONAL POSITIONAL RIB SLOT BETWEEN CCTS 1&2)
- RECOMMENDED PCB THICKNESS 1.5±0.14

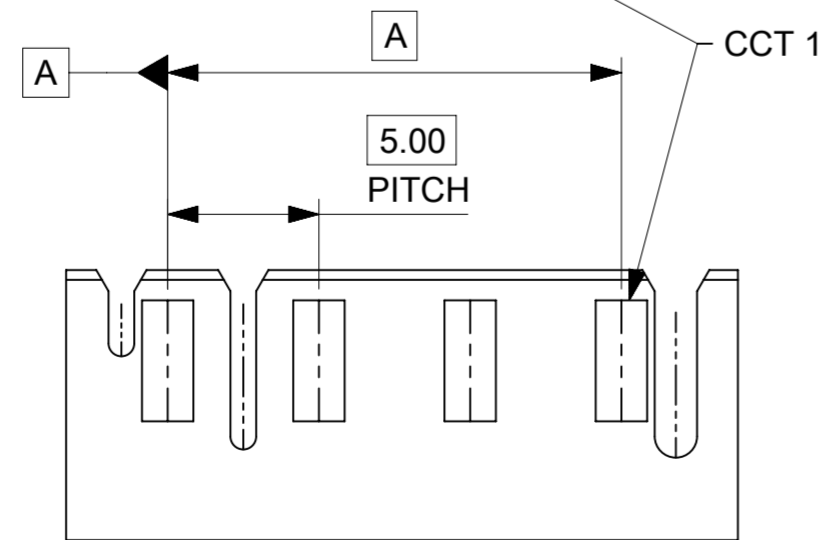


2 ROW CODING KEYS OPTION B  
END WALLS WITH POLARIZING RIBS

OPTION B END WALLS	
FIRST END WALL	LAST END WALL
CLOSED	SHORT

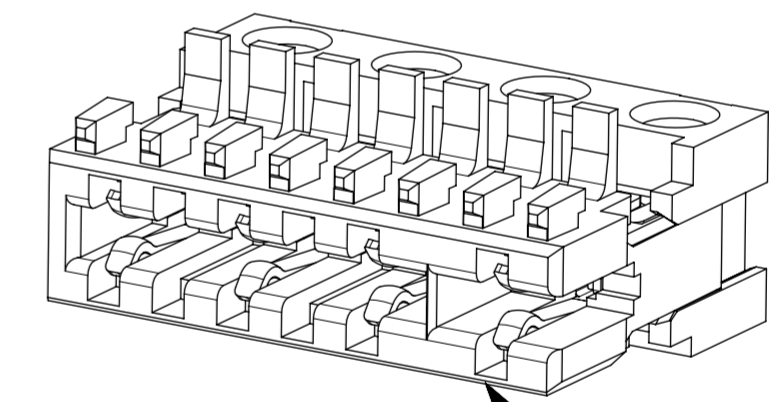


- PCB LAYOUT FOR 4CCT CONNECTOR (WITH OPTIONAL POSITIONAL RIB SLOT BETWEEN CCTS 3&4)
- RECOMMENDED PCB THICKNESS 1.5±0.14

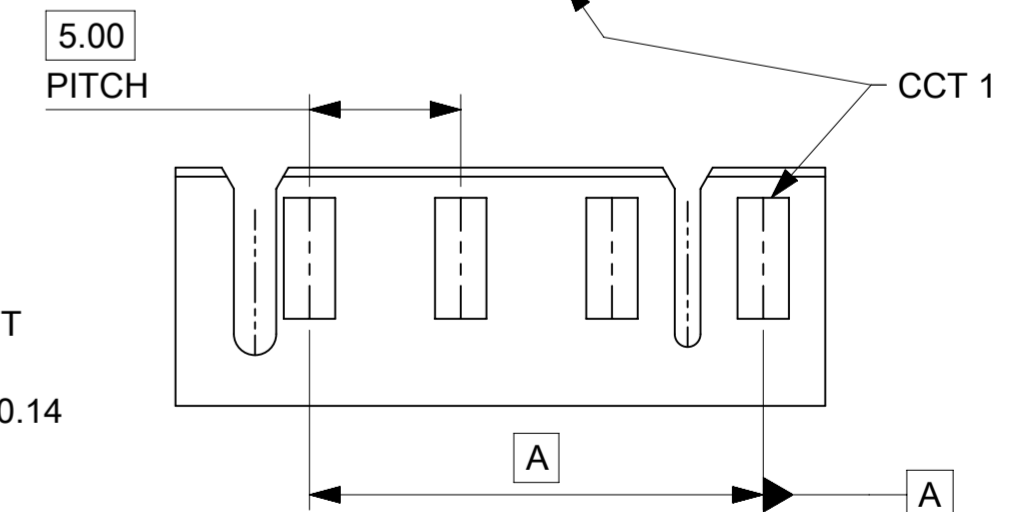


1 ROW CODING KEYS OPTION C  
END WALLS WITH POLARIZING RIBS

OPTION C END WALLS	
FIRST END WALL	LAST END WALL
OPEN	CLOSED



- PCB LAYOUT FOR 4CCT CONNECTOR (WITH OPTIONAL POSITIONAL RIB SLOT BETWEEN CCTS 1&2)
- RECOMMENDED PCB THICKNESS 1.5±0.14



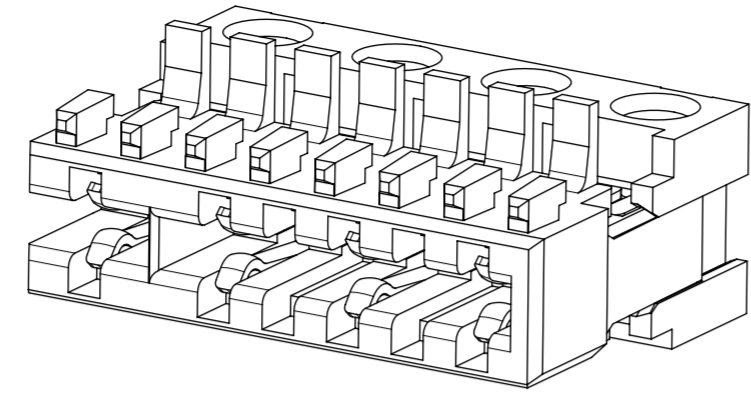
NOTES:

1. ALL UNSPECIFIED DIMENSIONS SEE SHEET 1
2. PCB FEATURES WHEN USED ARE IDENTICAL IN SIZE AND POSITION ACROSS PCB OPTIONS
3. OPTIONS SHOWN ARE FOR REFERENCE ONLY, FOR PART CONFIGURATIONS SEE SHEETS 4-8
4. FOR PARTS NOT LISTED ON THIS DRAWING PLEASE CONTACT YOUR MOLEX SALES ENGINEER

THIS DRAWING CONTAINS INFORMATION THAT IS PROPRIETARY TO MOLEX ELECTRONIC TECHNOLOGIES, LLC AND SHOULD NOT BE USED WITHOUT WRITTEN PERMISSION

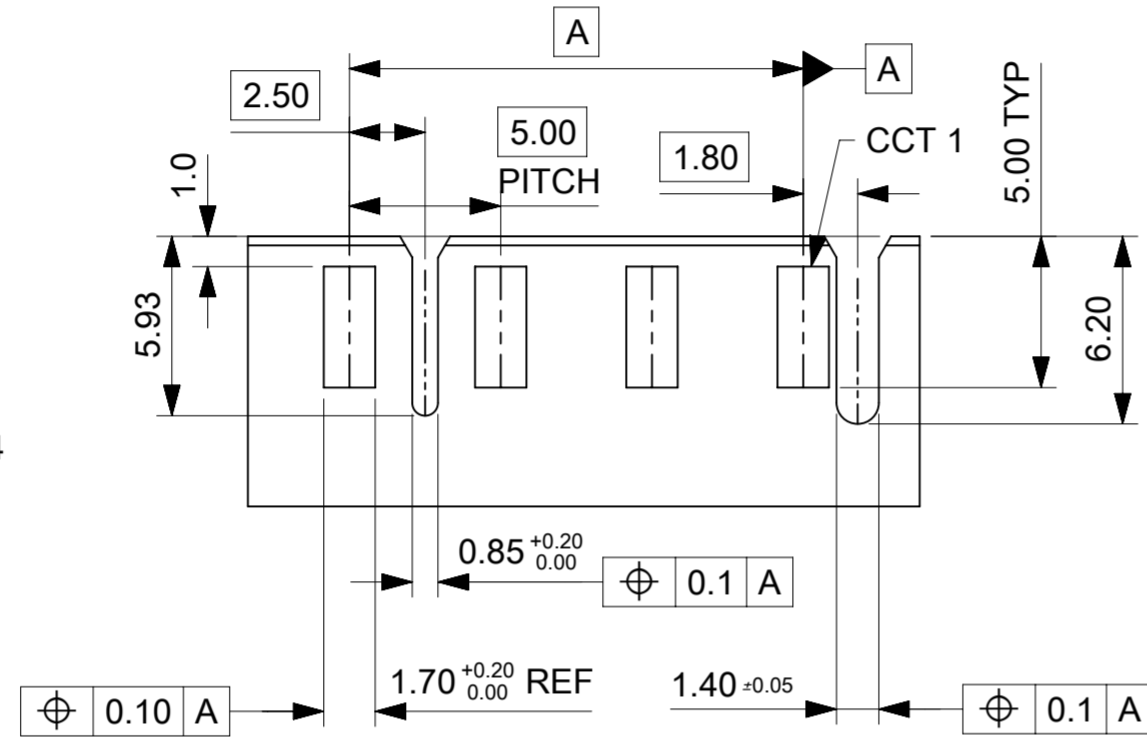
DIMENSION UNITS	SCALE	CURRENT REV DESC:		molex			
mm	1:1			R POWER 10 A, 0.75MM2 5MM TERMINAL PITCH (MATL: NYLON PA6)			
GENERAL TOLERANCES (UNLESS SPECIFIED)		EC NO: 789494		PRODUCT CUSTOMER DRAWING			
ANGULAR TOL	± 0.5°	4 PLACES	±	DRWN: RAHULH3	2024/05/10	DOCUMENT NUMBER	
		3 PLACES	± 0.05	CHK'D: MRAMAKRISHNA	2024/06/15	DOC TYPE   DOC PART   REVISION	
		2 PLACES	± 0.1	APPR: MRAMAKRISHNA	2024/06/15	2203300001   PSD   000   A4	
		1 PLACE	± 0.2	INITIAL REVISION:			
		0 PLACES	±	DRWN: MBN02	2022/05/09		
DRAFT WHERE APPLICABLE MUST REMAIN WITHIN DIMENSIONS		THIRD ANGLE PROJECTION		APPR: MRAMAKRISHNA		2023/02/08	
		DRAWING	SERIES	MATERIAL NUMBER	CUSTOMER	SHEET NUMBER	
		A2-SIZE	220330	SEE TABLE	GENERAL MARKET	2 OF 9	

1 ROW CODING KEYS OPTION D  
END WALLS WITH POLARIZING RIBS

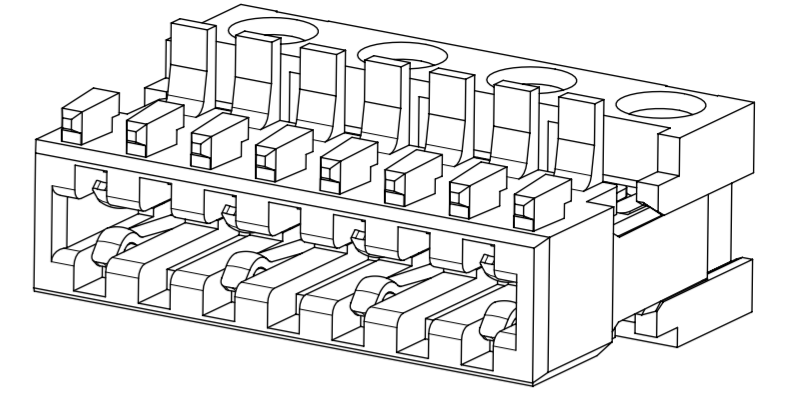


OPTION D END WALLS	
FIRST END WALL	LAST END WALL
CLOSED	OPEN

- PCB LAYOUT FOR 4CCT CONNECTOR  
(WITH OPTIONAL POSITIONAL RIB SLOT  
BETWEEN CCTS 3&4)  
- RECOMMENDED PCB THICKNESS 1.5±0.14

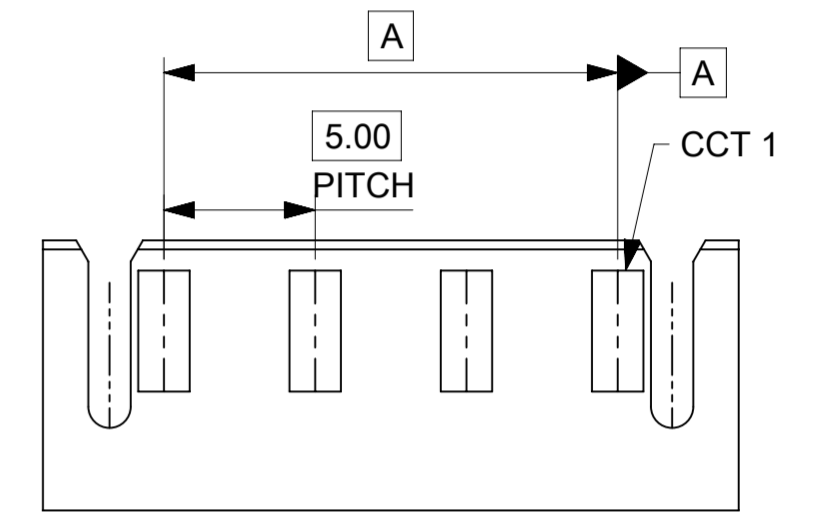


1 ROW CODING KEYS  
OPTION E END WALLS

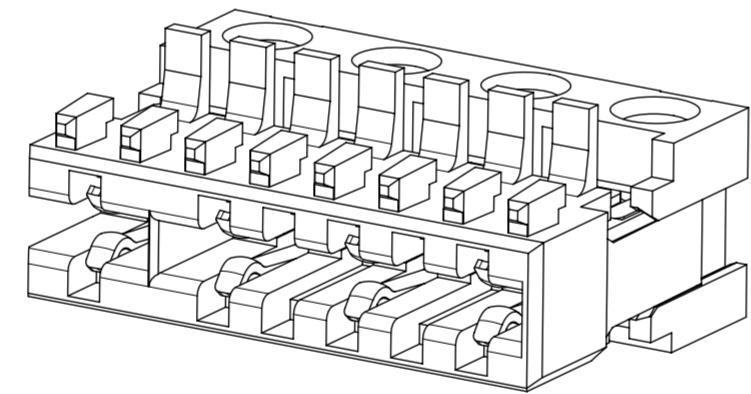


OPTION E END WALLS	
FIRST END WALL	LAST END WALL
CLOSED	CLOSED

- PCB LAYOUT FOR 4CCT CONNECTOR  
(WITH NO OPTIONAL POSITIONAL RIB SLOTS)  
- RECOMMENDED PCB THICKNESS 1.5±0.14

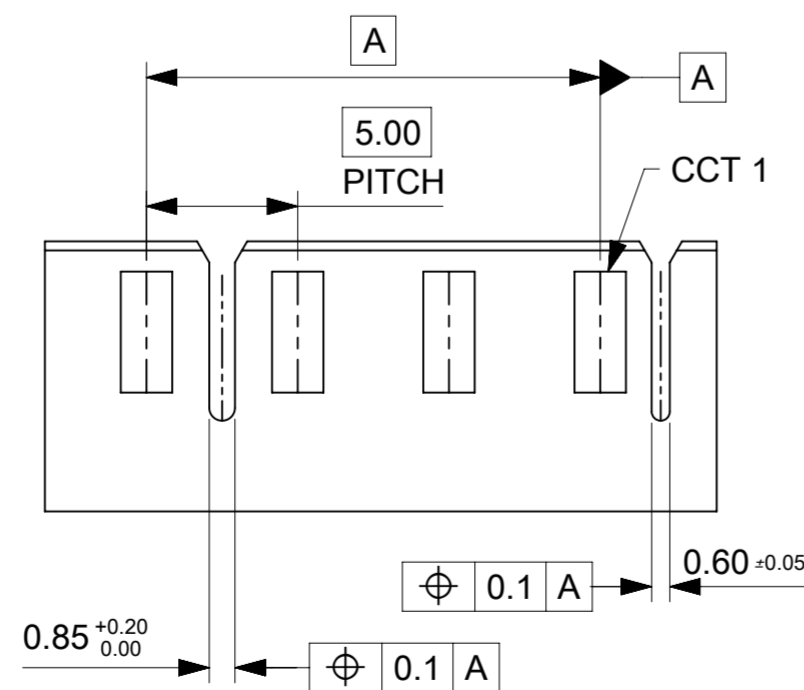


1 ROW CODING KEYS OPTION F  
END WALLS WITH POLARIZING RIBS

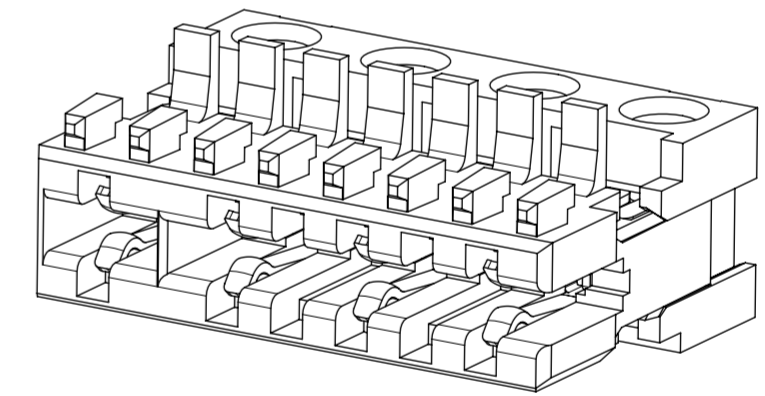


OPTION F END WALLS	
FIRST END WALL	LAST END WALL
NARROW FLUSH	OPEN

OPTION F: FIRST END NARROW FLUSH  
LAST END WALL OPEN  
SHOWN WITH SINGLE ROW CODING KEYS  
RIB SHOWN BETWEEN CCTS 3&4

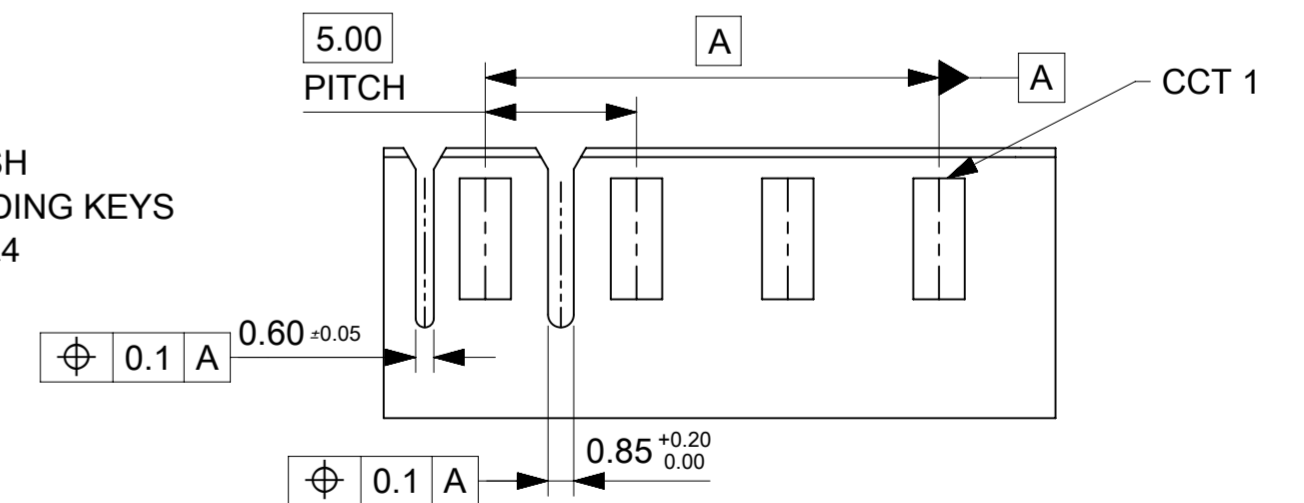


1 ROW CODING KEYS OPTION G  
END WALLS WITH POLARIZING RIBS



OPTION G END WALLS	
FIRST END WALL	LAST END WALL
OPEN	NARROW FLUSH

OPTION G: FIRST END OPEN  
LAST END WALL NARROW FLUSH  
SHOWN WITH SINGLE ROW CODING KEYS  
RIB SHOWN BETWEEN CCTS 3&4



- NOTES:
1. ALL UNSPECIFIED DIMENSIONS SEE SHEET 1
  2. PCB FEATURES WHEN USED ARE IDENTICAL IN SIZE AND POSITION ACROSS PCB OPTIONS
  3. OPTIONS SHOWN ARE FOR REFERENCE ONLY, FOR PART CONFIGURATIONS SEE SHEETS 4-8
  4. FOR PARTS NOT LISTED ON THIS DRAWING PLEASE CONTACT YOUR MOLEX SALES ENGINEER

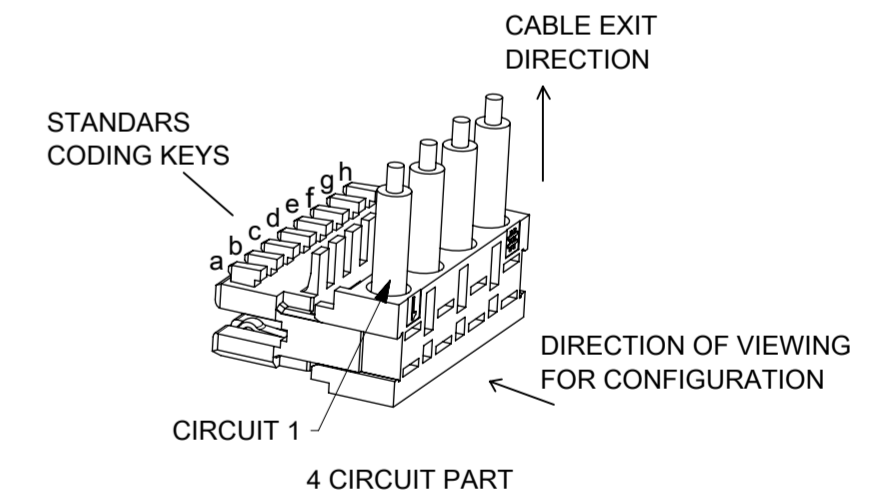
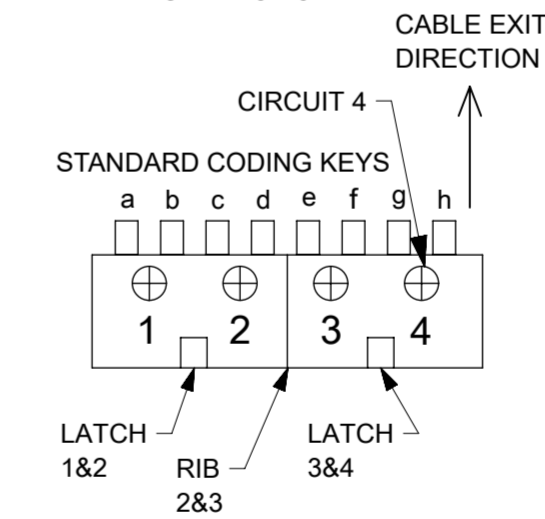
THIS DRAWING CONTAINS INFORMATION THAT IS PROPRIETARY TO MOLEX ELECTRONIC TECHNOLOGIES, LLC AND SHOULD NOT BE USED WITHOUT WRITTEN PERMISSION

DIMENSION UNITS	SCALE	CURRENT REV DESC:		<b>molex</b>			
mm	1:1						
GENERAL TOLERANCES (UNLESS SPECIFIED)				R POWER 10 A, 0.75MM2 5MM TERMINAL PITCH (MATL: NYLON PA6)			
ANGULAR TOL	± 0.5°	EC NO: 789494		PRODUCT CUSTOMER DRAWING			
4 PLACES	±	DRWN: RAHULH3	2024/05/10	DOCUMENT NUMBER			
3 PLACES	± 0.05	CHK'D: MRAMAKRISHNA	2024/06/15	2203300001			
2 PLACES	± 0.1	APPR: MRAMAKRISHNA	2024/06/15	DOC TYPE   DOC PART   REVISION			
1 PLACE	± 0.2	INITIAL REVISION:		PSD   000   A4			
0 PLACES	±	DRWN: MBN02	2022/05/09	MATERIAL NUMBER			
DRAFT WHERE APPLICABLE MUST REMAIN WITHIN DIMENSIONS		APPR: MRAMAKRISHNA	2023/02/08	CUSTOMER			
THIRD ANGLE PROJECTION		DRAWING	SERIES	SHEET NUMBER			
A2-SIZE		220330	SEE TABLE	GENERAL MARKET			
				3 OF 9			

# 2 CIRCUIT

PART NUMBER	HOUSING USED	TERMINAL No.	TERMINAL VOID POSITION	REMOVED CODING KEYS	CONFIGURATION	LATCH BETWEEN	POLARIZING RIB BETWEEN	FIRST ENDWALL	LAST ENDWALL	COLOUR STRIPE
220330-0001	220329-0002	93268-0004	NONE	NONE		NONE	NONE	OPEN	OPEN	NONE
220330-0002	220383-2002	93268-0004	NONE	NONE		CCT 1 & 2	NONE	OPEN	OPEN	NONE
220330-0003	220384-7202	93268-0004	NONE	NONE		CCT 1 & 2	NONE	OPEN	OPEN	NONE

KEYING, CODING & LATCH IDENTIFICATION VIEWED IN MATING DIRECTION



### NOTES

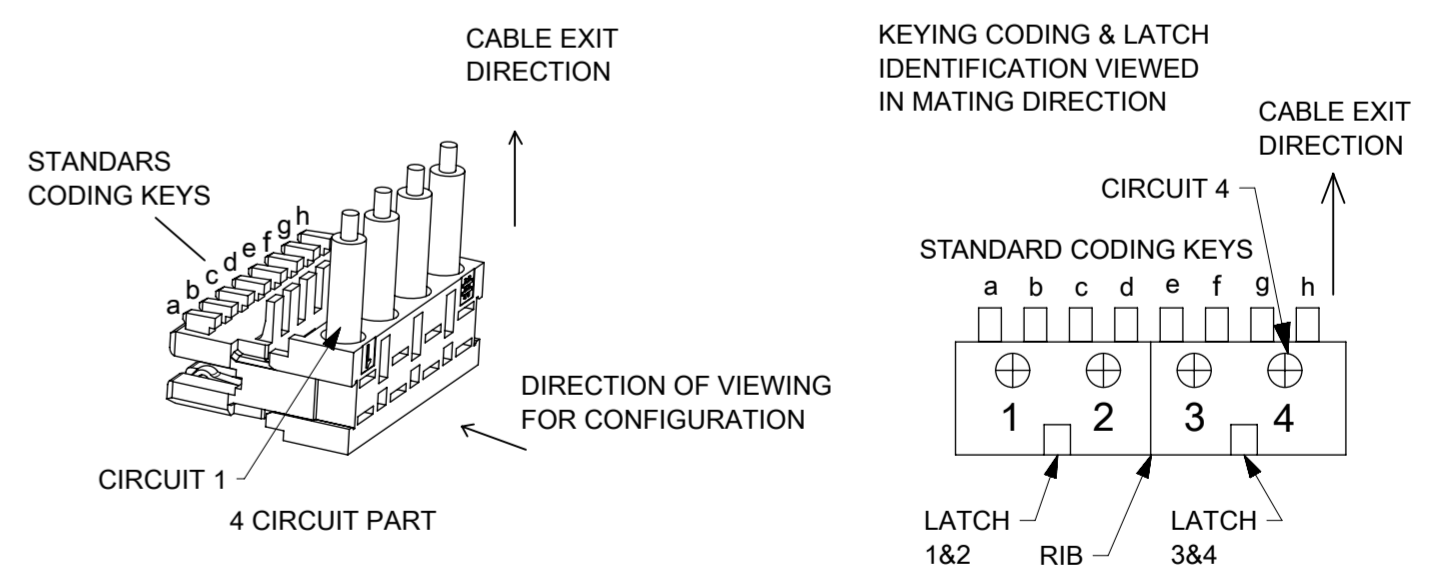
- + DENOTES TERMINAL VOIDED POSITION  
⊕ DENOTES TERMINAL LOADED POSITION  
| DENOTES POLARIZING RIB POSITION
- MOLEX HOUSING NO. FOR REFERENCE ONLY

THIS DRAWING CONTAINS INFORMATION THAT IS PROPRIETARY TO MOLEX ELECTRONIC TECHNOLOGIES, LLC AND SHOULD NOT BE USED WITHOUT WRITTEN PERMISSION

DIMENSION UNITS <b>mm</b>	SCALE <b>1:1</b>	CURRENT REV DESC:			
GENERAL TOLERANCES (UNLESS SPECIFIED)					
ANGULAR TOL ± 0.5°		EC NO: 789494	PRODUCT CUSTOMER DRAWING		
4 PLACES ±		DRWN: RAHULH3 2024/05/10	DOCUMENT NUMBER		
3 PLACES ± 0.05		CHK'D: MRAMAKRISHNA 2024/06/15	2203300001		
2 PLACES ± 0.1		APPR: MRAMAKRISHNA 2024/06/15	DOC TYPE	DOC PART	REVISION
1 PLACE ± 0.2		INITIAL REVISION:	PSD	000	A4
0 PLACES ±		DRWN: MBN02 2022/05/09	SHEET NUMBER		
		APPR: MRAMAKRISHNA 2023/02/08	4 OF 9		
DRAFT WHERE APPLICABLE MUST REMAIN WITHIN DIMENSIONS	THIRD ANGLE PROJECTION	DRAWING	SERIES	MATERIAL NUMBER	CUSTOMER
		A2-SIZE	220330	SEE TABLE	GENERAL MARKET

3 CIRCUIT										
PART NUMBER	HOUSING USED	TERMINAL No.	TERMINAL VOID POSITION	REMOVED CODING KEYS	CONFIGURATION	LATCH BETWEEN	POLARIZING RIB BETWEEN	FIRST ENDWALL	LAST ENDWALL	COLOUR STRIPE
220330-1001	220329-0003	93268-0004	NONE	NONE		NONE	NONE	OPEN	OPEN	NONE
220330-1011	220329-0003	93268-0004	NONE	a d e f		NONE	NONE	OPEN	OPEN	NONE
220330-1012	220383-2254	93268-0004	NONE	NONE		1&2	2&3	OPEN	NARROW FLUSH	NONE

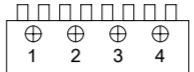
A4

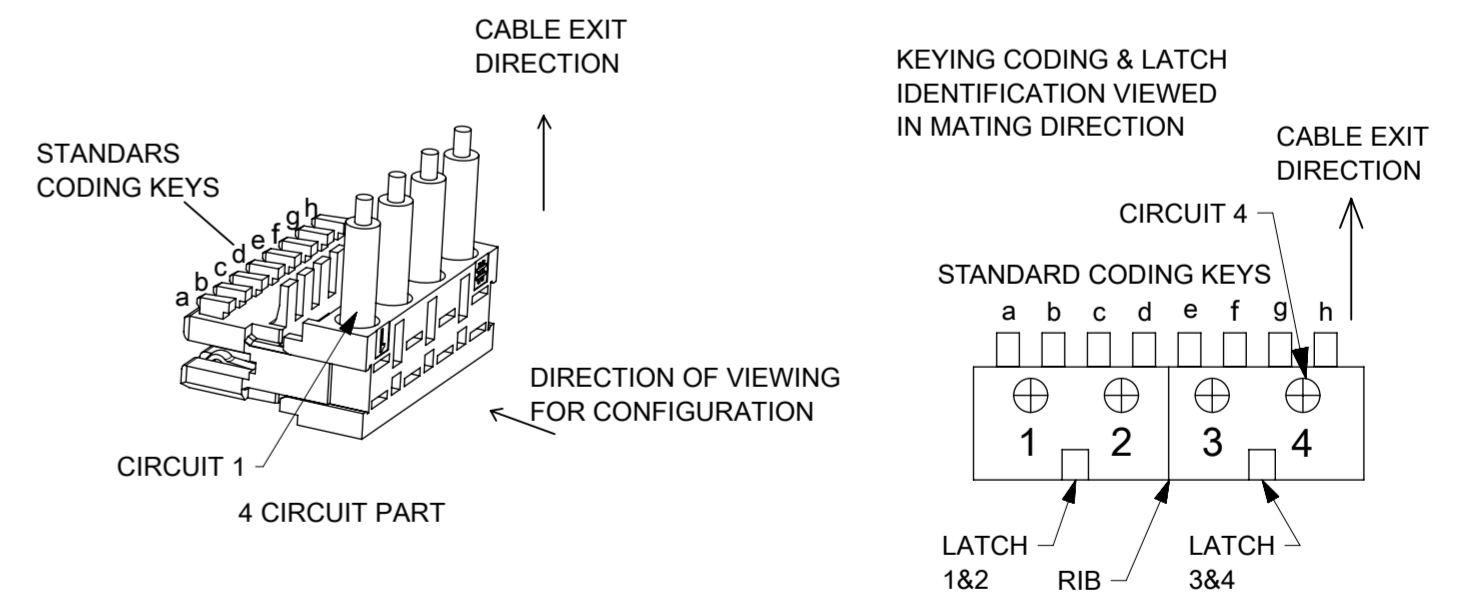



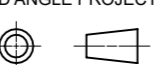
THIS DRAWING CONTAINS INFORMATION THAT IS PROPRIETARY TO MOLEX ELECTRONIC TECHNOLOGIES, LLC AND SHOULD NOT BE USED WITHOUT WRITTEN PERMISSION									
DIMENSION UNITS	SCALE	CURRENT REV DESC:							
mm	1:1								
GENERAL TOLERANCES (UNLESS SPECIFIED)					<b>R POWER 10 A, 0.75MM2</b> <b>5MM TERMINAL PITCH (MATL: NYLON PA6)</b>				
ANGULAR TOL ± 0.5°									
4 PLACES	±	EC NO: 789494			<b>PRODUCT CUSTOMER DRAWING</b>				
3 PLACES	±	DRWN: RAHULH3 2024/05/10							
2 PLACES	±	CHK'D: MRAMAKRISHNA 2024/06/15			<b>2203300001</b>				
1 PLACE	±	APPR: MRAMAKRISHNA 2024/06/15							
0 PLACES	±	INITIAL REVISION:			DOCUMENT NUMBER	DOC TYPE	DOC PART	REVISION	
DRAFT WHERE APPLICABLE MUST REMAIN WITHIN DIMENSIONS		DRWN: MBN02 2022/05/09			220330		SEE TABLE	GENERAL MARKET	A4
		APPR: MRAMAKRISHNA 2023/02/08			MATERIAL NUMBER		CUSTOMER		SHEET NUMBER
		THIRD ANGLE PROJECTION			DRAWING		SERIES		
		DRAWING			A2-SIZE		220330		5 OF 9

DOCUMENT STATUS	P1	RELEASE DATE	2024/06/15	12:26:21
-----------------	----	--------------	------------	----------

# 4 CIRCUIT

PART NUMBER	HOUSING USED	TERMINAL No.	TERMINAL VOID POSITION	REMOVED CODING KEYS	CONFIGURATION	LATCH BETWEEN	POLARIZING RIB BETWEEN	FIRST ENDWALL	LAST ENDWALL	COLOUR STRIPE
220330-2001	220329-0004	93268-0004	NONE	NONE		NONE	NONE	OPEN	OPEN	NONE



THIS DRAWING CONTAINS INFORMATION THAT IS PROPRIETARY TO MOLEX ELECTRONIC TECHNOLOGIES, LLC AND SHOULD NOT BE USED WITHOUT WRITTEN PERMISSION										
DIMENSION UNITS	SCALE	CURRENT REV DESC:								
mm	1:1									
GENERAL TOLERANCES (UNLESS SPECIFIED)						R POWER 10 A, 0.75MM2 5MM TERMINAL PITCH (MATL: NYLON PA6)				
ANGULAR TOL	± 0.5°	EC NO: 789494				PRODUCT CUSTOMER DRAWING				
4 PLACES	±	DRWN: RAHULH3		2024/05/10						
3 PLACES	± 0.05	CHK'D: MRAMAKRISHNA		2024/06/15						
2 PLACES	± 0.1	APPR: MRAMAKRISHNA		2024/06/15						
1 PLACE	± 0.2	INITIAL REVISION:				DOCUMENT NUMBER				
0 PLACES	±	DRWN: MBN02		2022/05/09		2203300001		PSD	000	A4
DRAFT WHERE APPLICABLE MUST REMAIN WITHIN DIMENSIONS		THIRD ANGLE PROJECTION	DRAWING	SERIES	MATERIAL NUMBER	CUSTOMER		SHEET NUMBER		
			A2-SIZE	220330	SEE TABLE	GENERAL MARKET		6 OF 9		

DOCUMENT STATUS	P1	RELEASE DATE	2024/06/15	12:26:21
-----------------	----	--------------	------------	----------

# 5 CIRCUIT

PART NUMBER	HOUSING USED	TERMINAL No.	TERMINAL VOID POSITION	REMOVED CODING KEYS	CONFIGURATION	LATCH BETWEEN	POLARIZING RIB BETWEEN	FIRST ENDWALL	LAST ENDWALL	COLOUR STRIPE
220330-3001	220329-0005	93268-0004	NONE	NONE		NONE	NONE	OPEN	OPEN	NONE

THIS DRAWING CONTAINS INFORMATION THAT IS PROPRIETARY TO MOLEX ELECTRONIC TECHNOLOGIES, LLC AND SHOULD NOT BE USED WITHOUT WRITTEN PERMISSION										
DIMENSION UNITS	SCALE	CURRENT REV DESC:								
mm	1:1									
GENERAL TOLERANCES (UNLESS SPECIFIED)						R POWER 10 A, 0.75MM2 5MM TERMINAL PITCH (MATL: NYLON PA6)				
ANGULAR TOL	± 0.5°	EC NO: 789494				PRODUCT CUSTOMER DRAWING				
4 PLACES	±	DRWN: RAHULH3		2024/05/10						
3 PLACES	± 0.05	CHK'D: MRAMAKRISHNA		2024/06/15						
2 PLACES	± 0.1	APPR: MRAMAKRISHNA		2024/06/15						
1 PLACE	± 0.2	INITIAL REVISION:				DOCUMENT NUMBER				
0 PLACES	±	DRWN: MBN02		2022/05/09		2203300001		PSD	000	A4
DRAFT WHERE APPLICABLE MUST REMAIN WITHIN DIMENSIONS		THIRD ANGLE PROJECTION	DRAWING	SERIES	MATERIAL NUMBER	CUSTOMER		SHEET NUMBER		
			A2-SIZE	220330	SEE TABLE	GENERAL MARKET		7 OF 9		

DOCUMENT STATUS	P1	RELEASE DATE	2024/06/15	12:26:21
-----------------	----	--------------	------------	----------

6 CIRCUIT										
PART NUMBER	HOUSING USED	TERMINAL No.	TERMINAL VOID POSITION	REMOVED CODING KEYS	CONFIGURATION	LATCH BETWEEN	POLARIZING RIB BETWEEN	FIRST ENDWALL	LAST ENDWALL	COLOUR STRIPE
220330-4001	220329-0006	93268-0004	NONE	NONE	□□□□□□□□□□□□□□ ⊕ ⊕ ⊕ ⊕ ⊕ ⊕ 1 2 3 4 5 6	NONE	NONE	OPEN	OPEN	NONE

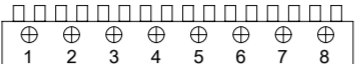
7 CIRCUIT														
PART NUMBER	HOUSING USED	TERMINAL No.	TERMINAL VOID POSITION	REMOVED CODING KEYS	CONFIGURATION	LATCH BETWEEN	POLARIZING RIB BETWEEN	FIRST ENDWALL	LAST ENDWALL	COLOUR STRIPE				
220330-5001	220329-0007	93268-0004	NONE	NONE	□□□□□□□□□□□□□□ ⊕ ⊕ ⊕ ⊕ ⊕ ⊕ ⊕ 1 2 3 4 5 6 7	NONE	NONE	OPEN	OPEN	NONE				


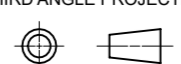
THIS DRAWING CONTAINS INFORMATION THAT IS PROPRIETARY TO MOLEX ELECTRONIC TECHNOLOGIES, LLC AND SHOULD NOT BE USED WITHOUT WRITTEN PERMISSION														
DIMENSION UNITS		SCALE		CURRENT REV DESC:										
mm		1:1		<p><b>molex</b></p> <p>R POWER 10 A, 0.75MM2 5MM TERMINAL PITCH (MATL: NYLON PA6)</p> <p>PRODUCT CUSTOMER DRAWING</p>										
GENERAL TOLERANCES (UNLESS SPECIFIED)														
ANGULAR TOL		± 0.5°												
4 PLACES		±												
3 PLACES		± 0.05												
2 PLACES		± 0.1		EC NO: 789494					2024/05/10					
1 PLACE		± 0.2		DRWN: RAHULH3					2024/06/15					
0 PLACES		±		CHK'D: MRAMAKRISHNA					2024/06/15					
DRAFT WHERE APPLICABLE MUST REMAIN WITHIN DIMENSIONS		THIRD ANGLE PROJECTION			DRAWING		SERIES		MATERIAL NUMBER		CUSTOMER		SHEET NUMBER	
					A2-SIZE		220330		SEE TABLE		GENERAL MARKET		8 OF 9	

DOCUMENT STATUS	P1	RELEASE DATE	2024/06/15	12:26:21
-----------------	----	--------------	------------	----------



# 8 CIRCUIT

PART NUMBER	HOUSING USED	TERMINAL No.	TERMINAL VOID POSITION	REMOVED CODING KEYS	CONFIGURATION	LATCH BETWEEN	POLARIZING RIB BETWEEN	FIRST ENDWALL	LAST ENDWALL	COLOUR STRIPE
220330-6001	220329-0008	93268-0004	NONE	NONE		NONE	NONE	OPEN	OPEN	NONE

THIS DRAWING CONTAINS INFORMATION THAT IS PROPRIETARY TO MOLEX ELECTRONIC TECHNOLOGIES, LLC AND SHOULD NOT BE USED WITHOUT WRITTEN PERMISSION										
DIMENSION UNITS	SCALE	CURRENT REV DESC:								
mm	1:1									
GENERAL TOLERANCES (UNLESS SPECIFIED)						R POWER 10 A, 0.75MM2 5MM TERMINAL PITCH (MATL: NYLON PA6)				
ANGULAR TOL	± 0.5°	EC NO: 789494				PRODUCT CUSTOMER DRAWING				
4 PLACES	±	DRWN: RAHULH3		2024/05/10						
3 PLACES	± 0.05	CHK'D: MRAMAKRISHNA		2024/06/15						
2 PLACES	± 0.1	APPR: MRAMAKRISHNA		2024/06/15						
1 PLACE	± 0.2	INITIAL REVISION:				DOCUMENT NUMBER				
0 PLACES	±	DRWN: MBN02		2022/05/09		2203300001		PSD	000	A4
DRAFT WHERE APPLICABLE MUST REMAIN WITHIN DIMENSIONS		THIRD ANGLE PROJECTION	DRAWING	SERIES	MATERIAL NUMBER	CUSTOMER	SHEET NUMBER			
			A2-SIZE	220330	SEE TABLE	GENERAL MARKET	9 OF 9			

DOCUMENT STATUS	P1	RELEASE DATE	2024/06/15	12:26:21
-----------------	----	--------------	------------	----------