

50Ω HYBRID RF CABLE ASSEMBLY

SPECIFICATIONS

For complete specifications and recommended PCB layouts see www.samtec.com?IJ5H

Insulator Material:

Black LCP

Contact Material:

Copper Alloy

Pin Material:

Copper Alloy

Dielectric Material:

Black LCP

Plating:

Au over 50μ" (1.27 μm) Ni

Operating Temp Range:

-40°C to +90°C

RoHS Compliant:

Yes

Cable (-2):

Conductor Size:

26 AWG,
(0.51 mm) .020" dia.

Conductor Material:

Silver and Copper

Plated Steel Wire

Insulator Diameter:

(1.52 mm) .060"

Insulator Material:

PTFE

Shield Material:

Silver Plated Copper Wire

Jacket Material:

FEP

Jacket Diameter:

(2.54 mm) .100"

Bend Radius:

12.7 mm

Impedance:

50Ω

Current Rating:

5A DC

RoHS Compliant:

Yes

Mates with:
IP5, SMA, MCX, MMCX,
SMB5

Low cost isolated
transmission line
system

RG 316 Cable

1, 2, 4, 6 or 8
Positions

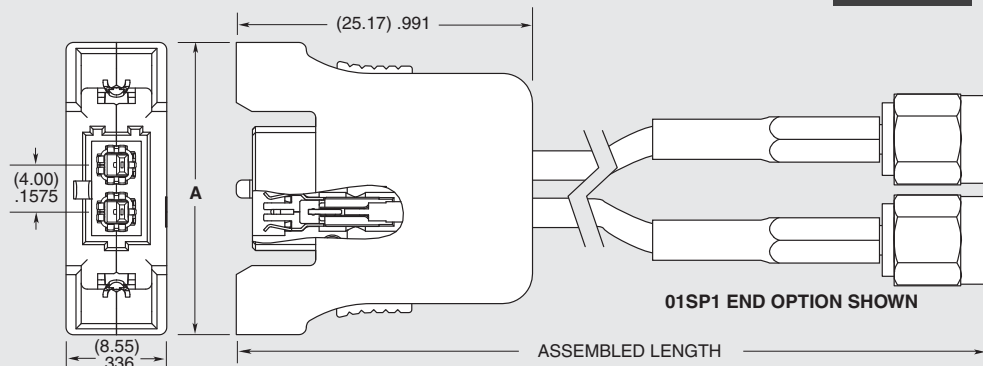
Positive
latching

Choice of traditional
RF end options



IJ5H	NO. OF POSITIONS	ASSEMBLED LENGTH	END 1 PLATING	CABLE TYPE	END 2 OPTION
	-01, -02, -04, -06, -08	- "XXXX" = Assembled Length in millimeters -0300 to -1000 (1000 mm) 39.40" maximum	-S = 30μ" (0.76 μm) Gold on contact	-2 = RG 316 cable	All Gold -01SP1 = SMA Straight Plug -02SP1 = MCX Straight Plug -03SP1 = MMCX Straight Plug -07SP1 = SMB Straight Plug Gold/Nickel combination -02SP2 = MCX Straight Plug -03SP2 = MMCX Straight Plug -07SP2 = SMB Straight Plug

NO. OF POSITIONS	A
-01	(20.87) .822
-02	(24.87) .979
-04	(32.87) 1.294
-06	(40.87) 1.609
-08	(48.87) 1.924



Note:
This Series is non-standard,
non-returnable.