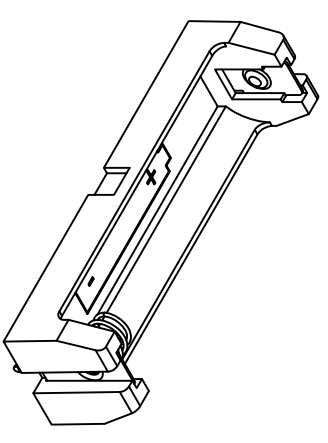
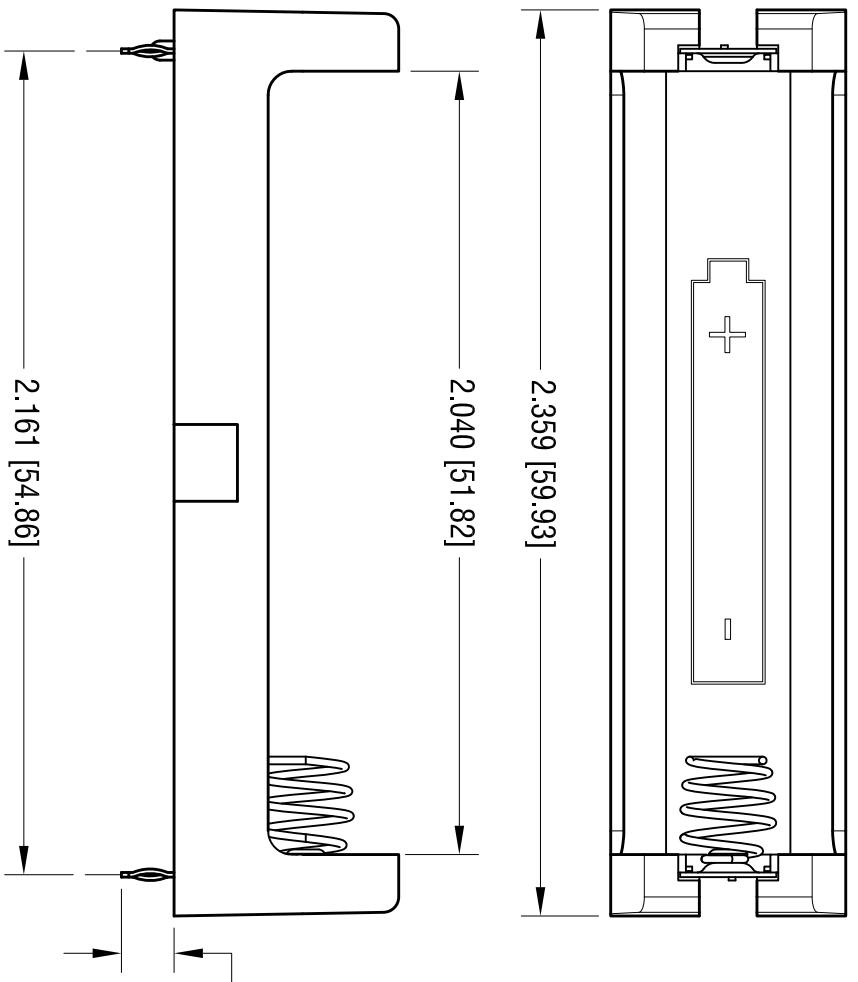
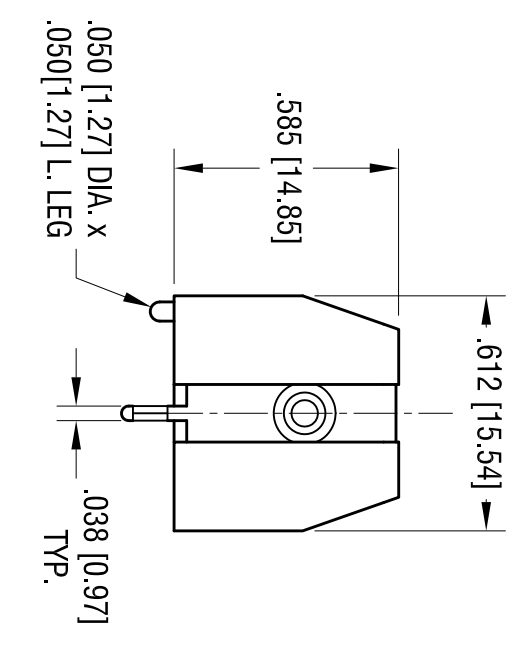
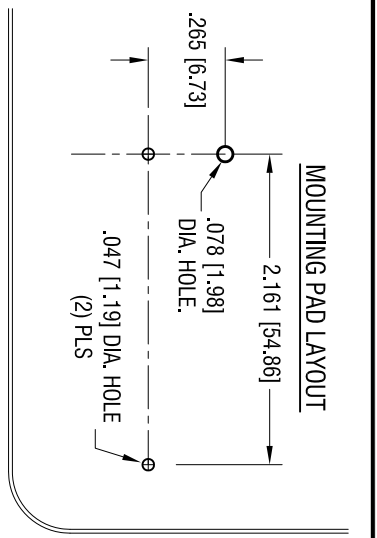


DATE	DESCRIPTION	REV.
1.23.17	CHANGE AS PER ECN 17-009	A
4.06.23	CHANGE AS PER ECN 23-248 BASE MAT'L WAS NYLON (BLACK COLOR)	B



- NOTE:
1. BASE:  
MATE'L: PBT (GRAY COLOR)
  2. CONTACT:  
MATE'L: .012 [0.30] THK STAINLESS STEEL  
FINISH: NICKEL PLATE.

THIS DOCUMENT IS THE PROPERTY OF KEYSTONE ELECTRONICS CORP. AND SHALL NOT BE REPRODUCED, DISTRIBUTED OR USED AS A BASIS FOR MANUFACTURE WITHOUT PRIOR WRITTEN PERMISSION FROM KEYSTONE ELECTRONICS CORP.

<b>KEYSTONE ELECTRONICS CORP.</b>			
www.keystec.com • NEW HYDE PARK, NY 11040 • Tel (516) 328-7500			
PART NAME THM BATTERY HOLDER, 'AA'			
MATERIAL AS NOTED			
FINISH	AS NOTED		
TOLERANCES	INCH	[MM]	CODE
DECIMAL	± .010	[± 0.25]	C
ANGULAR	± 1°		
UNLESS OTHERWISE SPECIFIED			
DRN BY	NT	DATE	6.12.14
APP'D	RH	SCALE	2X
DWG NO.		1087	