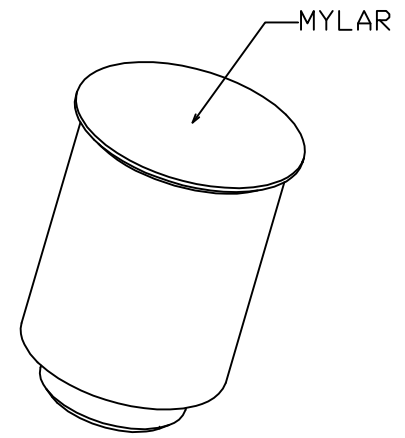
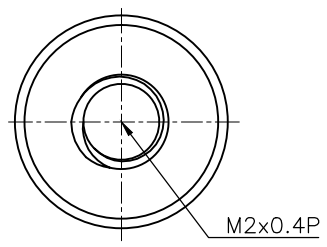
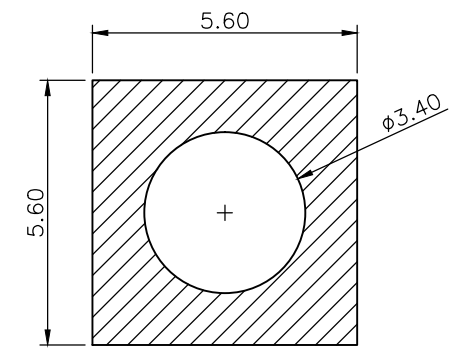
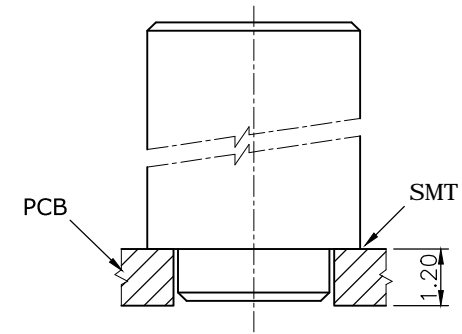
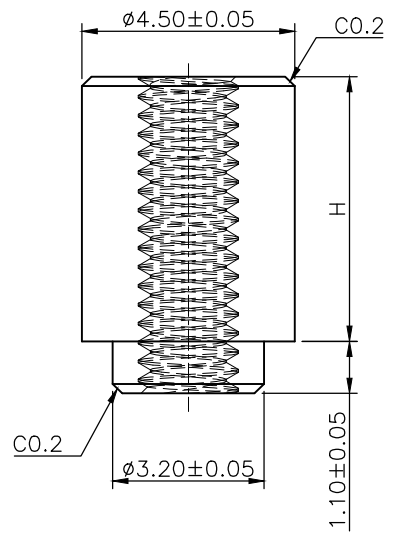


REV.	DESCRIPTION	DRAWN	DATE
2	Revised frame	Willis	2013/01/25
3	Revised frame & p/n table	FROS	2017/06/14
4	ECR2000003	TIM	2020/04/24


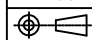


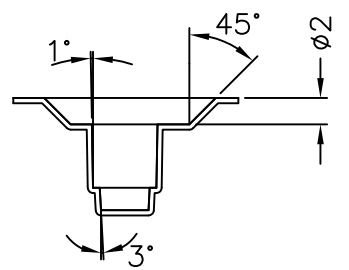
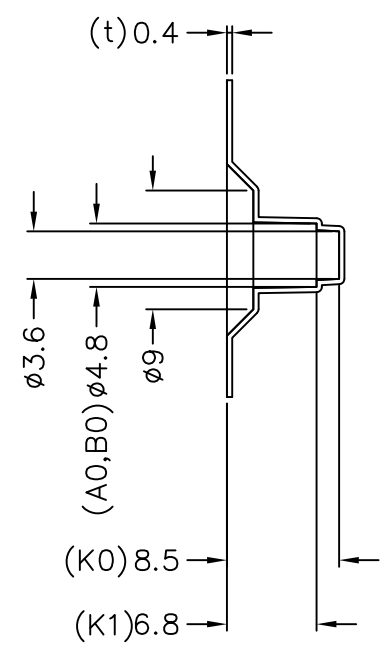
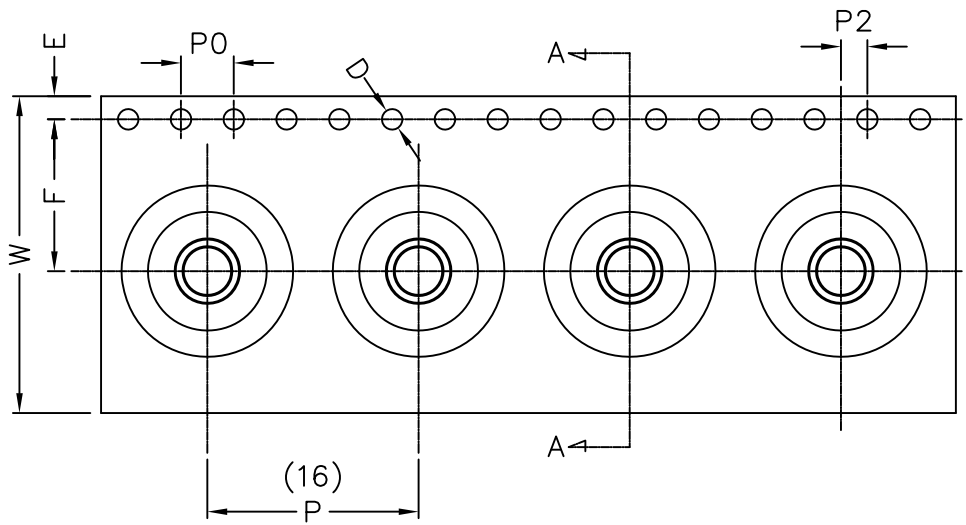
NOTE:
 1. MATERIAL: Copper Alloy
 2. Plating: Sn.



PCB Recommend Layout Pattern

NUT P/N	"H"±0.1	Mini PCI E P/N
119A-NUT-40-R02	1.6	119A-40A00-R02
119A-NUT-40-R02	1.6	119A-40A00-R04
119A-NUT-56-R02	3.2	119A-56A00-R02
119A-NUT-56-R02	3.2	119A-56A00-R04
119A-NUT-80-R02	5.6	119A-80A00-R02
119A-NUT-92-R02	6.8	119A-92A00-R02

UNLESS OTHERWISE SPECIFIED TOLERANCE				 WWW.ATTEND.COM.TW
UNIT:	DECIMAL	LINEAR	ANGLES	
mm	X.	±0.50	±5°	
	X.X	±0.25	±3°	
	X.XX	±0.12	±1°	
DRAWN	Willis	2012/12/10	DRAWN NAME:	
CHECKED	Angel	2012/12/10	Mini PCI Express Stand Off	
APPROVED	Ken	2012/12/10	PRODUCT NO. see p/n table	
	SCALE 6.25	SHEET 1/1	SIZE A4	FILE NAME 119A-NUT-XX-R02_B_4



1. Material: Black Anti-static Polystyrene ,T=0.4mm
 2. Reel : 300 pcs.

ITEM	W	A ₀	B ₀	K ₀	K ₁	P	F	E	D	D ₁	P ₀	P ₂
DIM	24.0 ^{+0.30} _{-0.30}	4.80 ^{+0.20} _{-0.10}	4.80 ^{+0.20} _{-0.10}	8.50 ^{+0.20} _{-0.10}	6.80 ^{+0.20} _{-0.10}	16.0 ^{+0.10} _{-0.10}	11.50 ^{+0.10} _{-0.10}	1.75 ^{+0.10} _{-0.10}	1.50 ^{+0.10} _{-0.00}	0.00 ^{+0.25} _{-0.00}	4.00 ^{+0.10} _{-0.10}	2.00 ^{+0.10} _{-0.10}

UNLESS OTHERWISE SPECIFIED TOLERANCE		
ANGLES	ANG.	±5°
LINEAR	0.	±0.3
	0.0	±0.25
	0.00	±0.20
SCALE	AS SHOWN	UNIT: mm
DRAWN	Willis	2014/06/16
CHECKED	Angel	2014/06/16
APPROVED	Ken	2014/06/16



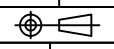
www.attend.com.tw

DRAWN NAME:
Mini PCI Express Stand Off

PRODUCT NO. 119A-NUT-92-R02

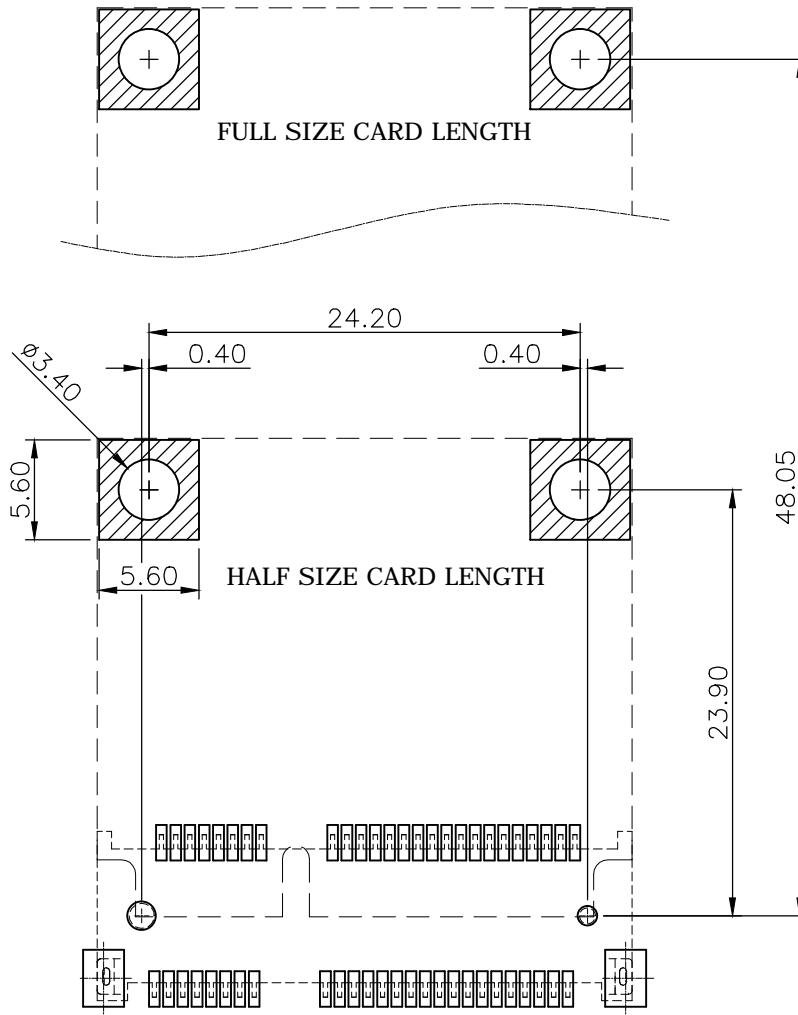
FILE NAME 119A-NUT-92-R02_D_3

REV.	DESCRIPTION	DATE	REV.	DESCRIPTION	DATE
3	Revise:				
2	Revise:				
1	Revise:				


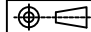


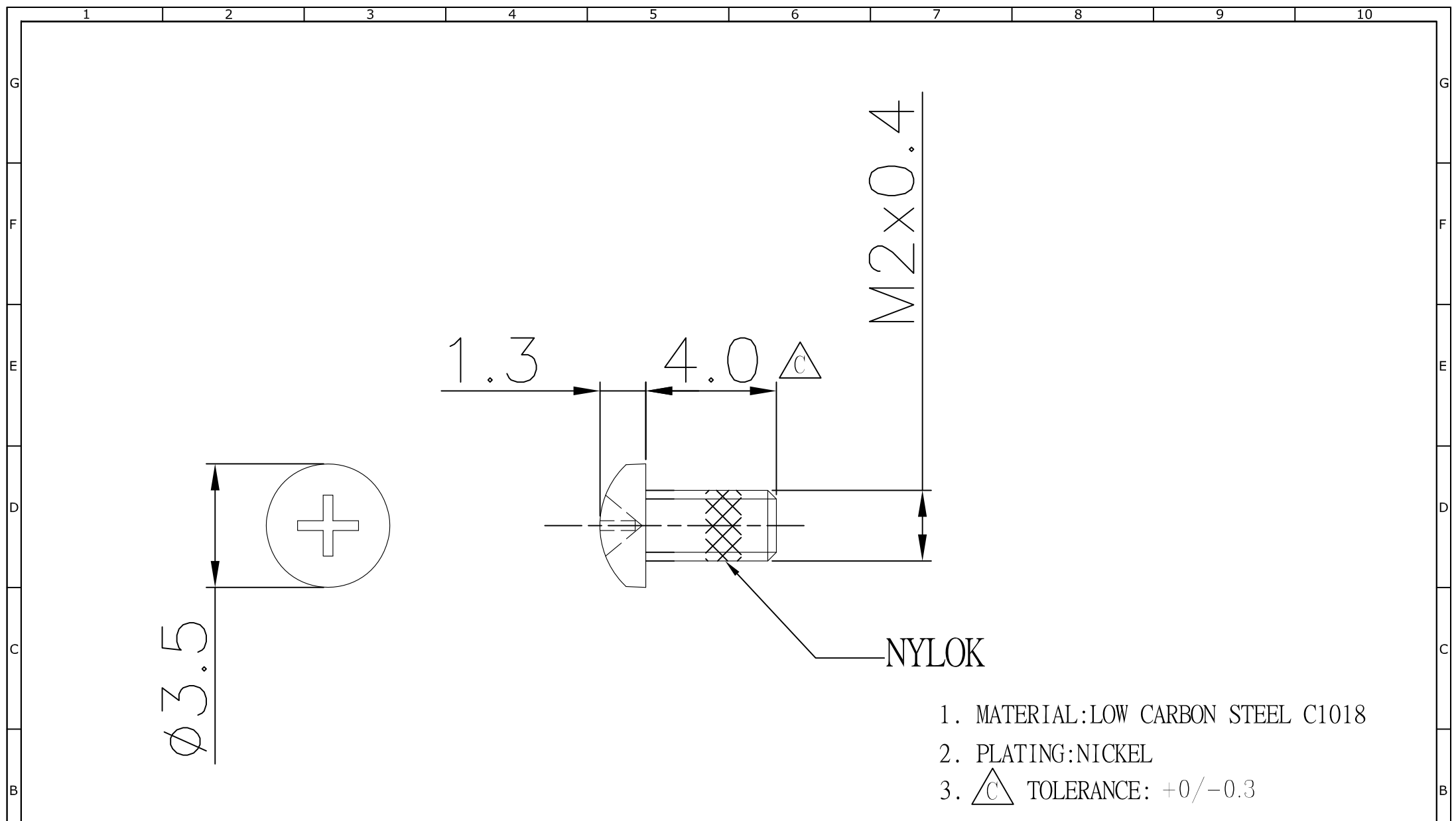
SIZE A4 REV. 1.0

REV.	DESCRIPTION	DRAWN	DATE
1	Initial Release	FROS	2020/04/16



RECOMMEND LAYOUT (TOP VIEW)
GENERAL TOLERANCE: ±0.05

UNLESS OTHERWISE SPECIFIED TOLERANCE					
UNIT:	DECIMAL	LINEAR	ANGLES		
mm	X.	±0.50	±5°	WWW.ATTEND.COM.TW	
	X.X	±0.25	±3°		
	X.XX	±0.12	±1°		
DRAWN	Fros	2020/04/16	DRAWN NAME: Mini PCI Express Stand Off Layout		
CHECKED	Tim	2020/04/16			
APPROVED	Ken	2020/04/16	PRODUCT NO.		
	SCALE 6.25	SHEET 1/1	SIZE A4	FILE NAME	119A-NUT-XX-R02_LAYOUT



1. MATERIAL: LOW CARBON STEEL C1018
2. PLATING: NICKEL
3. $\triangle C$ TOLERANCE: +0/-0.3

REV.	DESCRIPTION	DATE	REV.	DESCRIPTION	DATE		
1			4				
2			5				
3			6				
4			7				
5			8				
6			9				
7			10				

UNLESS OTHERWISE SPECIFIED TOLERANCE		
ANGLES	ANG.	±5°
LINEAR	0.	±0.3
	0.0	±0.25
	0.00	±0.20
SCALE	AS SHOWN	UNIT: mm

DRAWN	Willis	2013/01/25	 www.attend.com.tw
CHECKED	Angel	2013/01/25	
APPROVED	Ken	2013/01/25	
DRAWN NAME:			Mini PCI Express M2 Nylok Screw
PRODUCT NO.		119A-Screw-R02	
FILE NAME		119A-Screw-R02_B_2	