



Delta 40

2G/3G/4G Flat Swivel Knuckle Antenna

Key Features

- Primarily for 3G/4G
- 2dBi Peak Gain
- Flat Panel Swivel Knuckle Design



General Description

The Delta 40 direct connect 2G/3G/4G antenna is tuned primarily to give good performance at the higher frequencies. The swivel knuckle design is ideal for mounting on IoT modems/routers where the antenna can be positioned for best reception.

The antenna is capable of receiving 2G signals where reception/signal strength from base stations is good. If you only need 3G/4G frequencies in a direct connect antenna then the Delta 40 is a great solution without going to the larger Delta 41

The best transmission frequencies are: 824(2G/4G), 896(2G/4G), 1710(4G), 1990(2G/4G) and 2170(3G) MHz.

Additional Considerations

- Swivel knuckle allows positioning for best signal reception.
- Operates on some 2G bandwidths for additional support
- Meets all EU compliance criteria for electronic goods





Delta 40

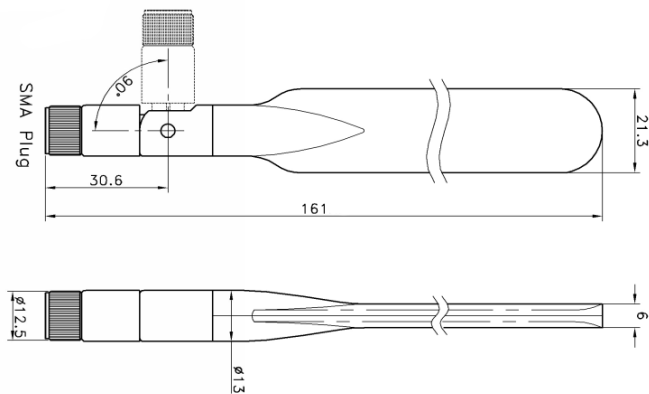
2G/3G/4G Flat Swivel Knuckle Antenna

Electrical Specifications

Operating Temperature:	-20 - +65°C
Impedance:	50 Ohm
Gain:	2dBi
VSWR:	≤2.5:1
Frequency Range:	790 - 960MHz 1710 - 2170MHz 2500 - 2700MHz
Radiation:	Omni
Polarization:	Vertical

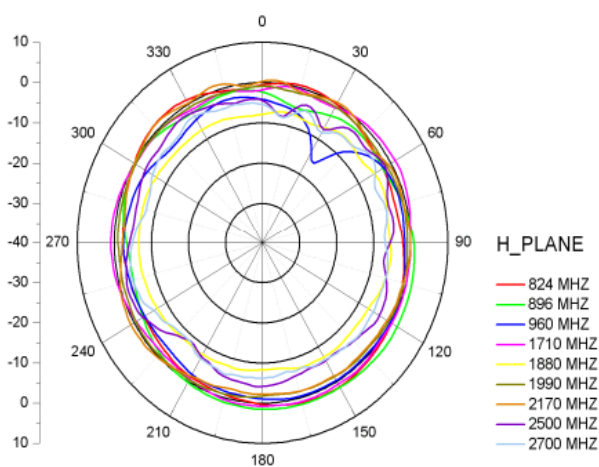
Mechanical Specifications

Weight:	29g
Connector:	SMA Male
Body Material:	PU/PC
Mounting Method:	Direct connect

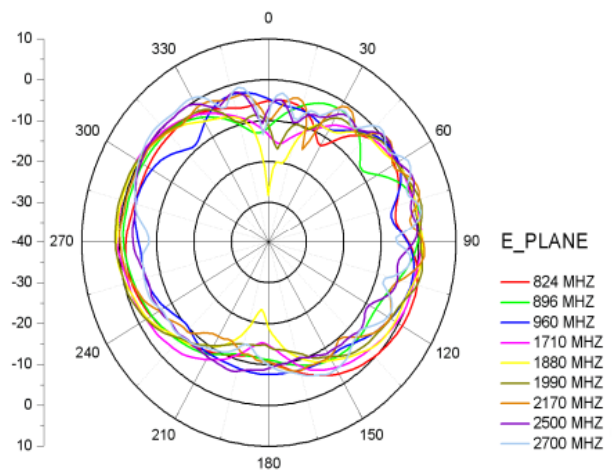


Radiation Plots

H Plane



E Plane





Delta 40

2G/3G/4G Flat Swivel Knuckle Antenna

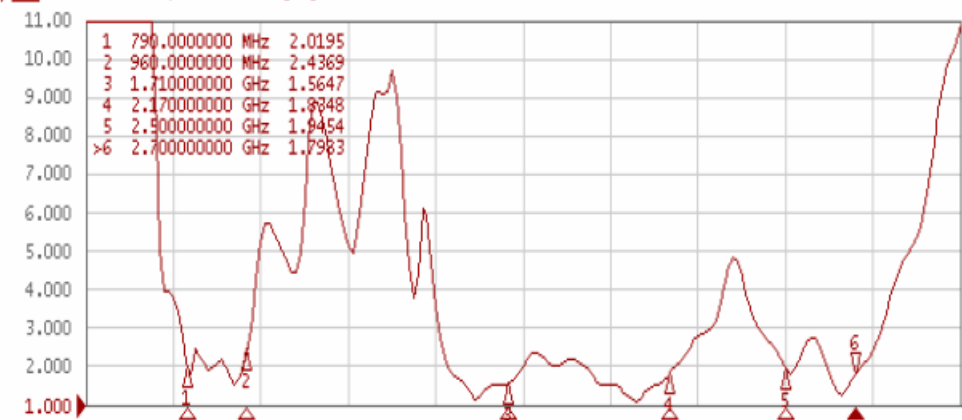
Return Loss

Tr1 S11 Log Mag 10.00dB/ Ref 0.000dB [R0]



VSWR

Tr2 S11 SWR 1.000/ Ref 1.000 [R0]



Ordering Details

Part number	Description
DELTA40/x/SMAM/S/S/32	2G/3G/4G FLAT HINGED DIRECT CONNECT ANTENNA SMA MALE CONNECTOR