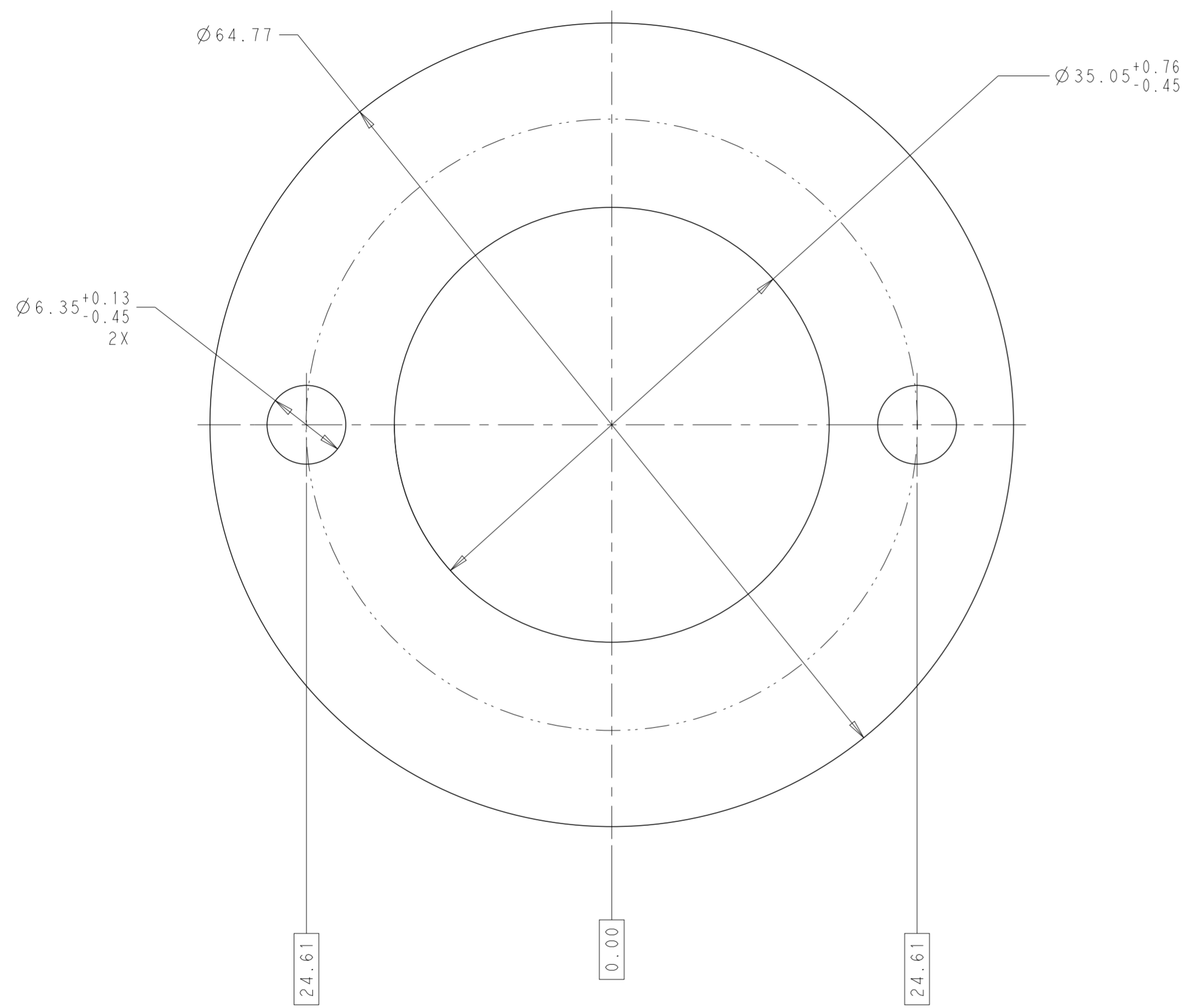


THIS DRAWING IS UNPUBLISHED. RELEASED FOR PUBLICATION
 © COPYRIGHT copyright.dBte- ALL RIGHTS RESERVED.

REVISIONS				
P	LTR	DESCRIPTION	DATE	APVD
	A	REVISED PER ECR-18-001492	21FEB2018	RS DD



NOTES:

- 1. MATERIAL: RUBBER.
- 2. PACKAGE 100 PIECES PER POLYBAG.

2324246-1
PART NO.

THIS DRAWING IS A CONTROLLED DOCUMENT.		DWN 23AUG2017 RAGHAVENDRA K	TE Connectivity	
DIMENSIONS: mm		CHK 23AUG2017 D. DECKER		
TOLERANCES UNLESS OTHERWISE SPECIFIED:		APVD 23AUG2017 D. DECKER	NAME GASKET, DIMMING RECEPTACLE	
0 PLC ±	1 PLC ±	PRODUCT SPEC	SIZE	CAGE CODE
2 PLC ±0.13	3 PLC ±	APPLICATION SPEC	A200779	DRAWING NO
4 PLC ±	ANGLES ±	WEIGHT	C-2324246	RESTRICTED TO
FINISH -		CUSTOMER DRAWING	SCALE 1:1	SHEET 1 OF 1