

Level Sensors

Capacitive Level Detector

Type VC 5510



- Adjustable sensing distance 2-10 mm
- Rated operational voltage: 5 to 30 VDC
- Output: DC 100 mA, NPN or PNP
- Output: ON/OFF delay or no delay
- Make or break switching function
- LED indication when activated
- 1.5 m PVC cable
- IP 65

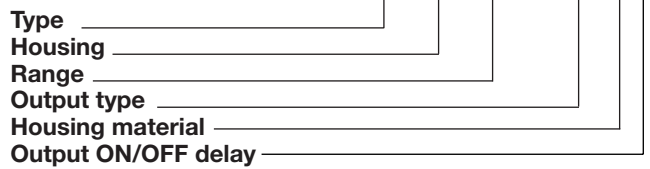
Product Description

Capacitive level detector in flat pack housing, size 35 x 55 x 15 mm. Easy mounting with two M4 screws. Typical applications are in whirlpools (jacuzzis) for switching ON/

OFF the heating element, starting and stopping the air pump, controlling the level of the water, the level of the disinfection fluid etc.

Ordering Key

VC 55 10 NNOPT



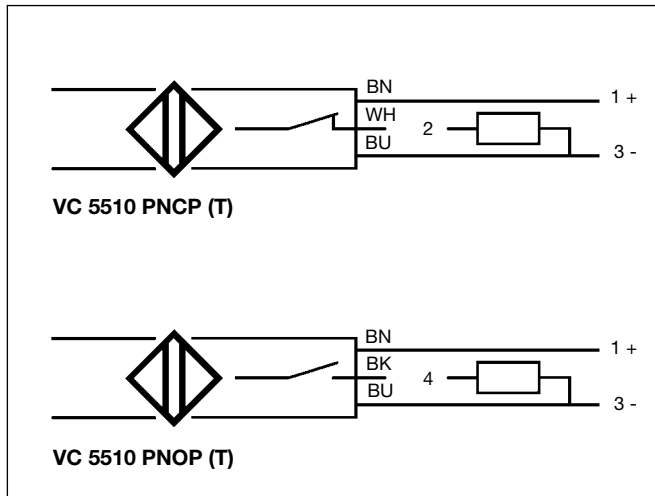
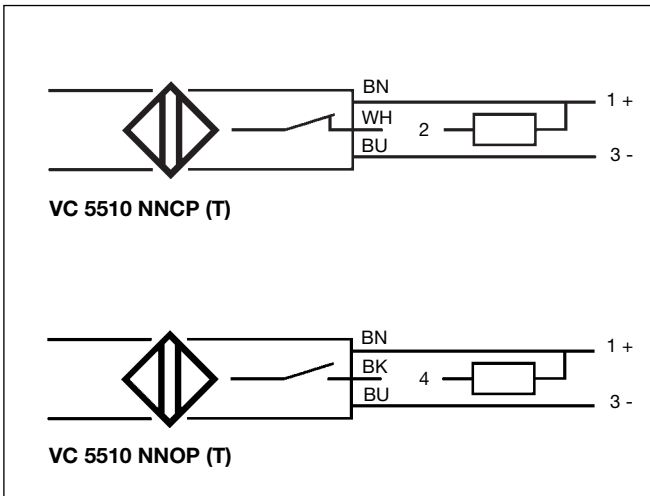
Type Selection

Housing dimensions W x H x D	Rated operating dist. (S _n)	Output	Ordering no. NPN Make switching	Ordering no. NPN Break switching	Ordering no. PNP Make switching	Ordering no. PNP Break switching
35 x 55 x 15	10 mm	No delay	VC 5510 NNOP	VC 5510 NNCP	VC 5510 PNOP	VC 5510 PNCP
35 x 55 x 15	10 mm	ON/OFF delay	VC 5510 NNOPT	VC 5510 NNCPT	VC 5510 PNOPT	VC 5510 PNCPT

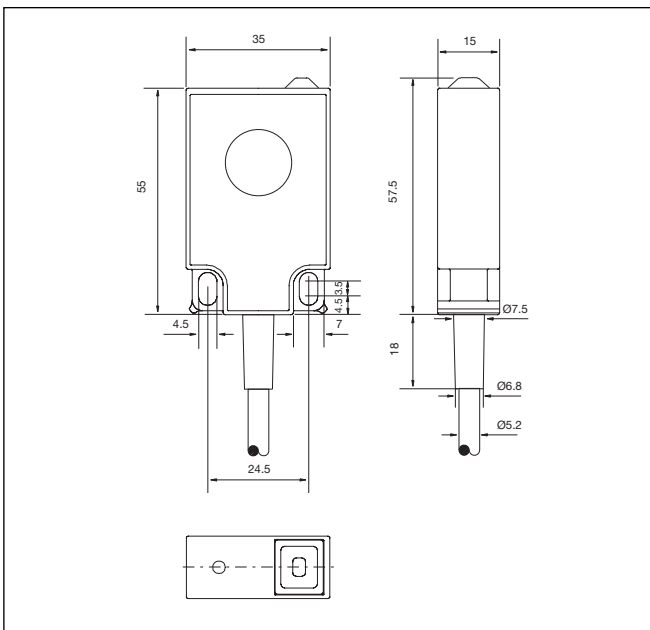
Specifications

Rated operation dist. (S_n)	2-10 mm factory set at 10 mm	Frequency of operating cycles (delay times)	> 0.1 Hz (depending upon delay time)
Sensitivity	Adj. single turn pot. meter	Delay xNxPT	ON 1 _s < t _{ON} < 5 _s (typ.3s) OFF 1 _s < t _{OFF} < 5 _s (typ.3s)
Effective operating dist. (S_r)	0.9 x S _n ≤ S _r ≤ 1.1 x S _n	Indication when activated	LED, red
Usable operating dist. (S_u)	0.8 x S _r ≤ S _u ≤ 1.2 x S _r	Environment Degree of protection	IP 65
Assured operating dist. (S_a)	0 ≤ S _a ≤ 0.81 S _n	Temperature Operating temperature Storage temperature	-0° to +50°C (+32° to +122°F) -30° to +80°C (-22° to +176°F)
Hysteresis (H)	3-20% of sensing dist.	Housing material	PC/ABS, grey
Rated operational volt. (U_e)	5 to 30 VDC (ripple included)	Connection Cable	1.5 m, 3 x 0.3 mm ² grey PVC, oil proof
Ripple	≤ 10%	Weight	40 g
Rated operational current (I_o) Continuous	≤ 100 mA	Approvals	UL
No-load supply current (I_o)	≤ 10 mA	CE-marking	Yes
Voltage drop (U_d)	≤ 1.5 VDC at max. load		
Power ON delay xNxP xNxPT	Max. 40 ms Max. 5 s		

Wiring Diagrams



Dimensions



Delivery Contents

- Capacitive switch: VC 5510
- **Packaging:** plastic bag