

THIS DRAWING IS UNPUBLISHED. RELEASED FOR PUBLICATION 170410  
 © COPYRIGHT 170410 BY TYCO ELECTRONICS ALL RIGHTS RESERVED.

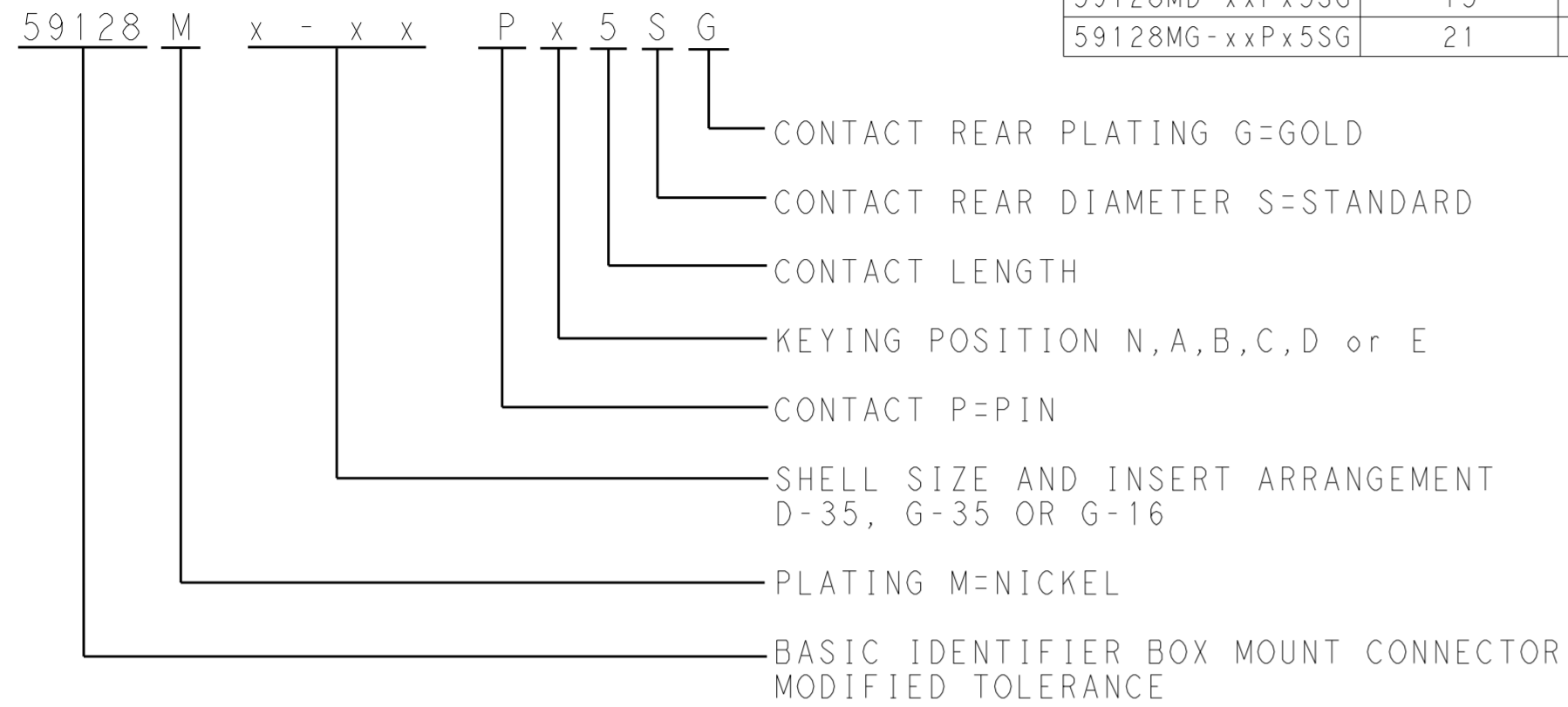
PROPERTY OF TE CONNECTIVITY  
 THIS INFORMATION IS CONFIDENTIAL AND PROPRIETARY TO TYCO ELECTRONICS CORPORATION AND ITS WORLDWIDE SUBSIDIARIES AND AFFILIATES (TE). IT MAY NOT BE DISCLOSED TO ANYONE, OTHER THAN TE PERSONNEL, WITHOUT AUTHORIZATION FROM TE (www.TE.com)

SHELL SIZE	A±.004	B±.010	C REF.	R1	R2	Q ±.004 -.002	QQ ±.004 -.002
15	.694	.594	1.224	.969	.906	.133	.180
21	.662	.562	1.505	1.250	1.156	.133	.201

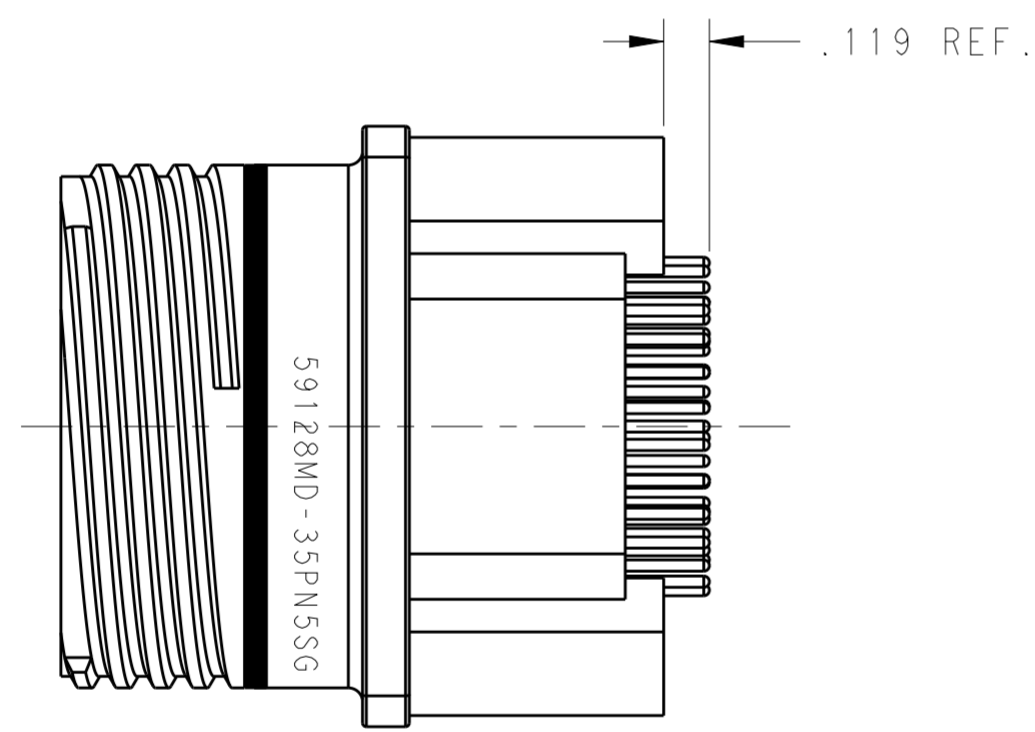
REVISIONS				
P	LTR	DESCRIPTION	DATE	APVD
A		REVISED PER E.O. C5806	031031	AR
B		REVISED PER ECO-17-016852	171115	SS

PART NUMBER	SHELL SIZE	P ±.004 -.002	PP ±.004 -.002	R1	R2	S±.011	T±.010	V±.010	W±.004	Ø X MAX.
59128MD-xxPx5SG	15	.128	.173	.969	.906	1.221	1.000	.785	.092	.905
59128MG-xxPx5SG	21	.128	.194	1.250	1.156	1.564	1.032	.785	.124	1.266

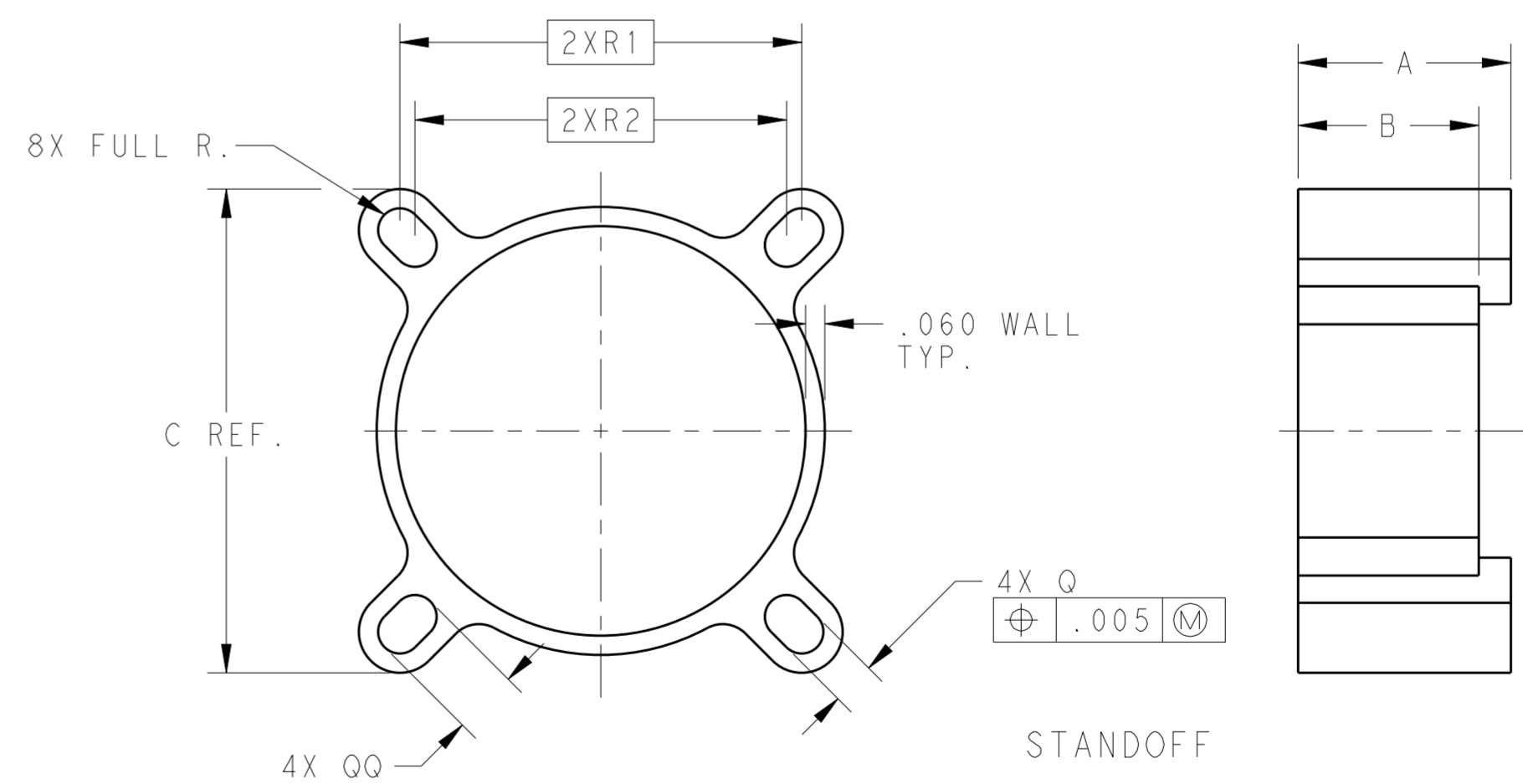
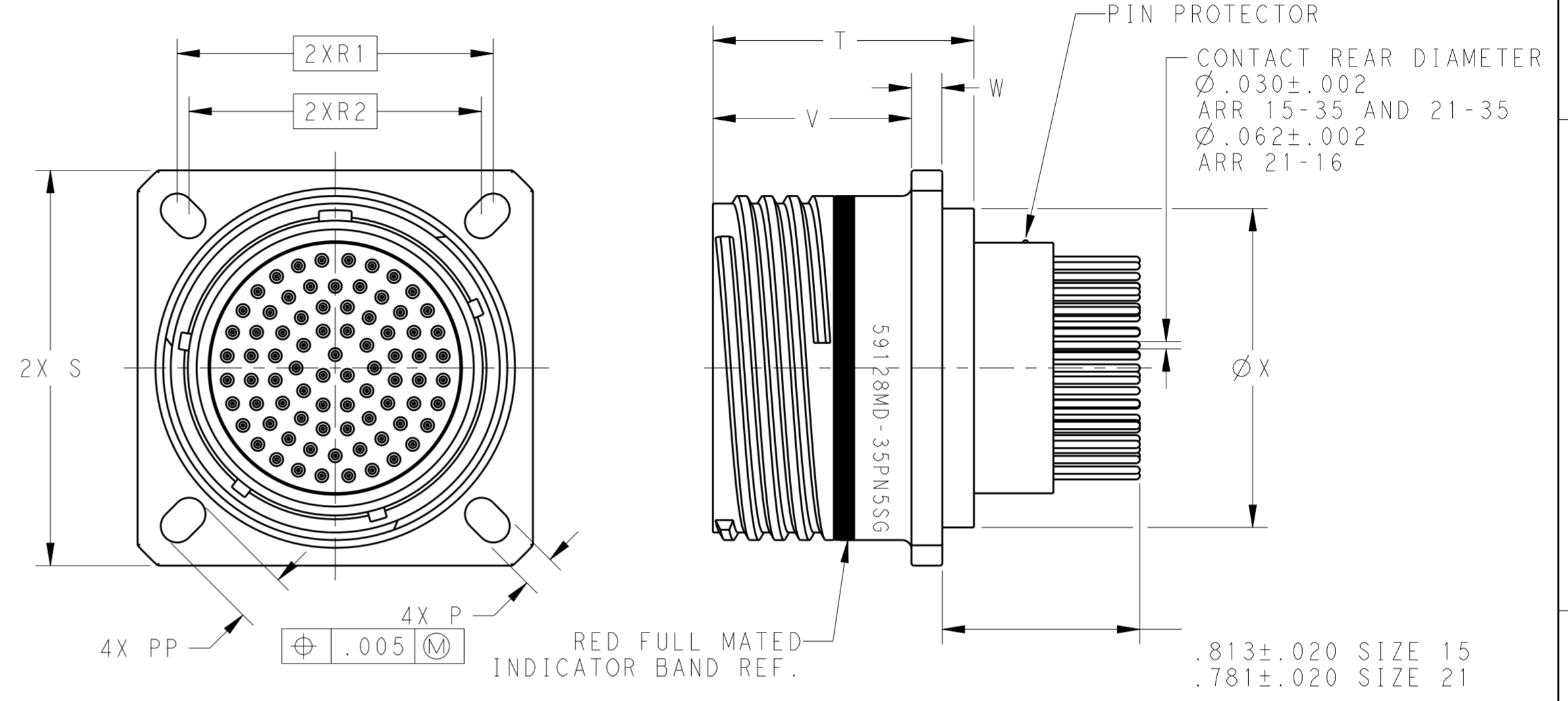
PART NUMBER BREAKDOWN



CONTACTS	REAR DIAM.
SIZE 22D	.030±.002
SIZE 16	.062±.002



STANDOFF INSTALLED



STANDOFF

- FOR APPLICABLE KEYING DIAGRAM, SEE MIL-DTL-38999. FOR INSERT ARRANGEMENT, SEE MIL-STD-1560. CONSULT FACTORY FOR AVAILABILITY.
- GENERAL SPECIFICATIONS: THIS CONNECTOR MEETS THE INTERMATEABILITY REQUIREMENTS OF MIL-DTL-38999, SERIES III, FROM THE MOUNTING FLANGE FORWARD.
- MATERIAL/FINISH: SHELL - COMPOSITE / PLATED. CONTACTS - COPPER ALLOY / GOLD PLATED. RESILIENT INSERTS AND PIN PROTECTOR - SILICONE ELASTOMER. PLASTIC INSERTS AND STANDOFF - THERMOPLASTIC.
- ALL DIMENSIONS ARE IN INCHES.

NOTES: UNLESS OTHERWISE SPECIFIED.

THIS DRAWING IS A CONTROLLED DOCUMENT.

DIMENSIONS: INCHES	TOLERANCES UNLESS OTHERWISE SPECIFIED:	DWN A. RASMUSSEN 030701	 TE Connectivity
	0 PLC ±.	CHK S. WHITACRE 030725	
	1 PLC ±.1	APVD A. RENGIFO 031031	
	2 PLC ±.01	PRODUCT SPEC	
MATERIAL SEE NOTES	FINISH SEE NOTES	APPLICATION SPEC	NAME CONNECTOR, RECEPTACLE SQUARE FLANGE MOUNT, CIRCUIT BOARD MOUNT, ACTBO TYPE SERIES W/SUPPLIED STANDOFF
		WEIGHT	SIZE A2
		CUSTOMER DRAWING	CAGE CODE 11139
			DRAWING NO. 59128Mx-xxPx5SG
		SCALE 1:1	RESTRICTED TO
		SHEET 1 OF 1	REV B

# Mouser Electronics

Authorized Distributor

Click to View Pricing, Inventory, Delivery & Lifecycle Information:

[TE Connectivity:](#)

[59128MG-35PN5SG](#)