

8-1971794-1 ✓ ACTIVE

GRACE INERTIA 2.5

TE Internal #: 8-1971794-1

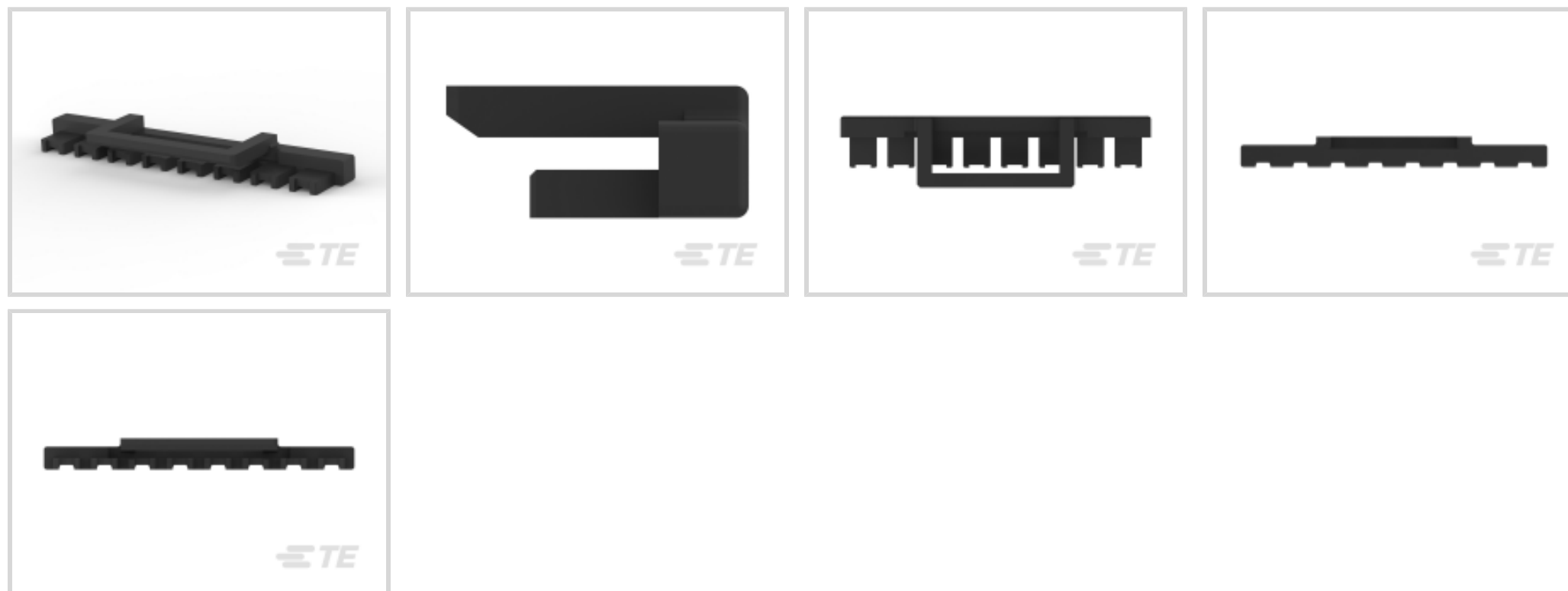
TPA (True Position Assurance), Black, PA 66 GF20, 8 Position,

GRACE INERTIA 2.5

[View on TE.com >](#)



Connectors > Connector Accessories > Connector Hardware



Hardware Accessory Function: **Position Assurance**

Connector Hardware Accessory Type: **TPA (True Position Assurance)**

Primary Product Color: **Black**

Primary Product Material: **PA 66 GF20**

Number of Positions: **8**

Features

Product Type Features

| | |
|-----------------------------------|-------------------------------|
| Hardware Accessory Function | Position Assurance |
| Connector Hardware Accessory Type | TPA (True Position Assurance) |

Configuration Features

| | |
|---------------------|---|
| Number of Rows | 1 |
| Number of Positions | 8 |

Body Features

| | |
|--------------------------|------------|
| Primary Product Color | Black |
| Primary Product Material | PA 66 GF20 |

Housing Features

| | |
|--------------------|-----------------|
| Centerline (Pitch) | 2.5 mm[.098 in] |
|--------------------|-----------------|

Usage Conditions

| | |
|-----------------------------|----------------------------|
| Operating Temperature (Max) | 105 °C[221 °F] |
| Operating Temperature Range | -30 – 105 °C[-22 – 221 °F] |

Industry Standards



| | |
|------------------|-----------|
| Glow Wire Rating | Glow Wire |
|------------------|-----------|

Packaging Features

| | |
|--------------------|------|
| Packaging Quantity | 3600 |
| Packaging Method | Bag |

Product Compliance

[For compliance documentation, visit the product page on TE.com>](#)

| | |
|---|---|
| EU RoHS Directive 2011/65/EU | Compliant |
| EU ELV Directive 2000/53/EC | Compliant |
| China RoHS 2 Directive MIIT Order No 32, 2016 | No Restricted Materials Above Threshold |
| EU REACH Regulation (EC) No. 1907/2006 | Current ECHA Candidate List: JUNE 2024 (241) Candidate List Declared Against: JUNE 2024 (241) Does not contain REACH SVHC |
| Halogen Content | Not Low Halogen - contains Br or Cl > 900 ppm. |
| Solder Process Capability | Not reviewed for solder process capability |

Product Compliance Disclaimer

This information is provided based on reasonable inquiry of our suppliers and represents our current actual knowledge based on the information they provided. This information is subject to change. The part numbers that TE has identified as EU RoHS compliant have a maximum concentration of 0.1% by weight in homogenous materials for lead, hexavalent chromium, mercury, PBB, PBDE, DBP, BBP, DEHP, DIBP, and 0.01% for cadmium, or qualify for an exemption to these limits as defined in the Annexes of Directive 2011/65/EU (RoHS2). Finished electrical and electronic equipment products will be CE marked as required by Directive 2011/65/EU. Components may not be CE marked. Additionally, the part numbers that TE has identified as EU ELV compliant have a maximum concentration of 0.1% by weight in homogenous materials for lead, hexavalent chromium, and mercury, and 0.01% for cadmium, or qualify for an exemption to these limits as defined in the Annexes of Directive 2000/53/EC (ELV). Regarding the REACH Regulation, the information TE provides on SVHC in articles for this part number is based on the latest European Chemicals Agency (ECHA) 'Guidance on requirements for substances in articles' posted at this URL: <https://echa.europa.eu/guidance-documents/guidance-on-reach>

Compatible Parts



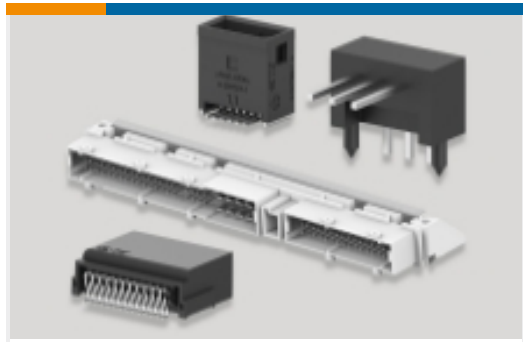
Also in the Series | GRACE INERTIA 2.5



Connector Contacts(6)



Connector Hardware(7)



PCB Headers & Receptacles(138)



Rectangular Connector Housings(49)



Rectangular Power Connectors(35)



Wire-to-Board Connector Assemblies & Housings(46)

Customers Also Bought



TE Part #206070-8
CABLE CLAMP KIT #17



TE Part #DT04-2P
REC, 2P, GRY, N



TE Part #DT06-2S
PLG, 2P, GRY, N



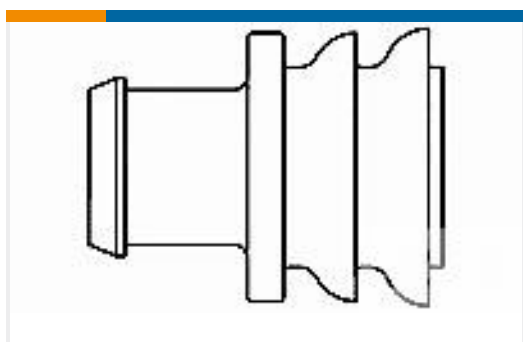
TE Part #W2S
Wedgelocks: DEUTSCH DT



TE Part #0460-202-16141
DEUTSCH Solid Contacts



TE Part #282104-1
AMP SUPERSEAL 1.5MM,
CONNECTOR HOUSING



TE Part #281934-2
SINGLE WIRE SEAL

Documents

Product Drawings

[NEW GI CONN2.5 TPA 8P BLACK](#)

English

CAD Files

[3D PDF](#)

[3D](#)



Customer View Model

[ENG_CVM_CVM_8-1971794-1_B.2d_dxf.zip](#)

English

Customer View Model

[ENG_CVM_CVM_8-1971794-1_B.3d_igs.zip](#)

English

Customer View Model

[ENG_CVM_CVM_8-1971794-1_B.3d_stp.zip](#)

English

By downloading the CAD file I accept and agree to the [Terms and Conditions](#) of use.

Product Specifications

[Product Specification](#)

English