

PART NO. : HFJT1-1G16-L12RL



FASTJACK™ (TABUP) WITH 1000BASE-T MAGNETICS
DESIGNED FOR IEEE802.3ab GIGABIT APPLICATIONS

RoHS COMPLAINT

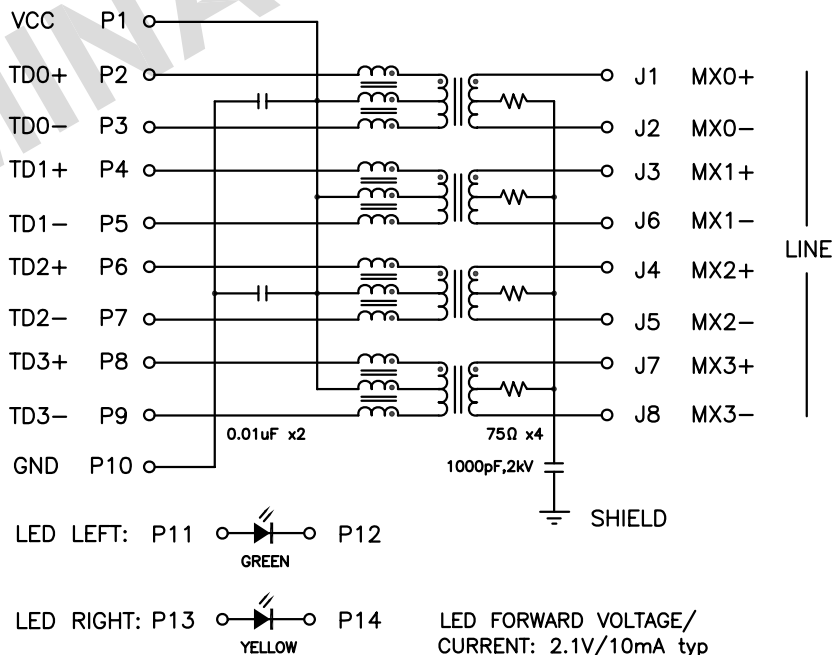
COMPATIBLE TO LEAD-FREE WAVE SOLDERING PROCESS
FOR THROUGH HOLE COMPONENTS

UL/EN60950 RECOGNIZED

OPERATING TEMPERATURE 0/70°C

ELECTRICAL SPECIFICATIONS @ 25° C

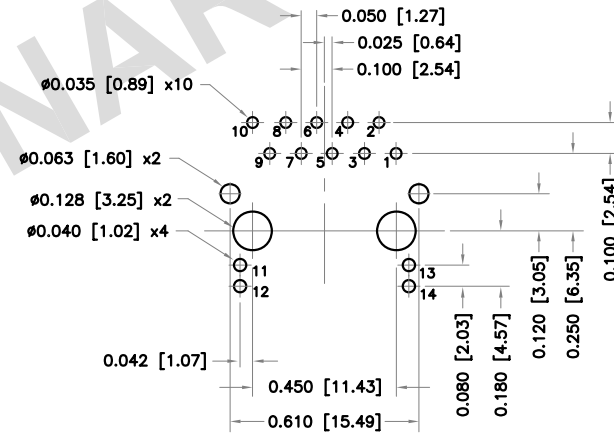
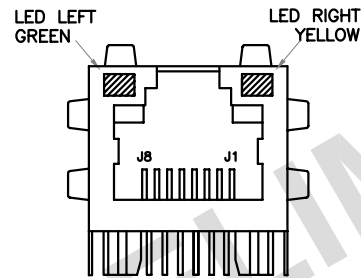
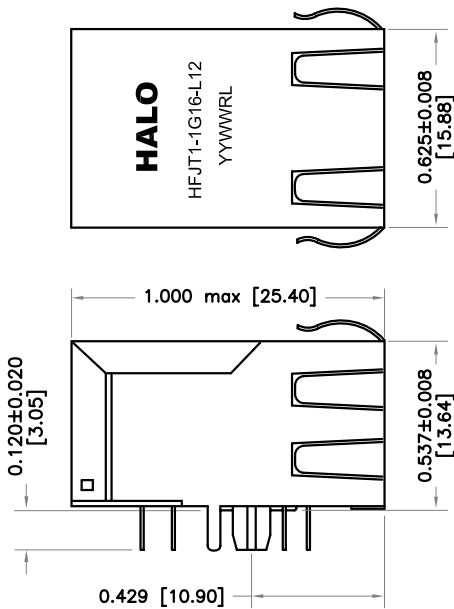
URNS RATIO	1:1 ±3%
OCL (100KHz,0.1V,8mA)	350µH min
INSERTION LOSS	
1-100MHz	-1.1dB max
RETURN LOSS	
1-40MHz	-18dB min
60MHz	-14dB min
80MHz	-12dB min
100MHz	-10dB min
CROSSTALK 1-100MHz	-35dB typ
CMR 0.1-30MHz	-38dB typ
30-60MHz	-35dB typ
60-100MHz	-30dB typ
ISOLATION	1,500Vrms



LINE



HALO/PBL	TITLE FastJack™ SINGLE		SIGNATURES		DATE	REV.	DESC.	DATE
	FOR GIGABIT ETHERNET		DRAWN LI ZHI ZHONG		3/8/10	A	FIRST ISSUE	3/8/10
	PART NO. HFJT1-1G16-L12RL		CHECKED LEI KEONG		3/8/10			
	SCALE NONE		PAGE 1 OF 2		APPROVED PETER LU	3/8/10		
CALIFORNIA, USA KOWLOON, HONG KONG SINGAPORE		FILE HFJT1-1G16-L12RL.DWG						



RECOMMENDED P.C. BOARD PATTERN (COMP. SIDE)

Housing Material: Polyester, Black UL94V-0
 Contacts: Phosphor Bronze 30µm Au plating over Ni
 Leads: Matte Sn over Ni
 Shield: Cu Alloy with Ni plating 40µm min
 Durability: 1000 mating cycles
 Dimensions: Inch [mm]



HALO/PBL

CALIFORNIA, USA
 KOWLOON, HONG KONG
 SINGAPORE

TITLE	SIGNATURES	DATE	REV.	DESC.	DATE
FastJack™ SINGLE					
FOR GIGABIT ETHERNET	DRAWN LI ZHI ZHONG	3/8/10	A	FIRST ISSUE	3/8/10
PART NO. HFJT1-1G16-L12RL	CHECKED LEI KEONG	3/8/10			
SCALE NONE	APPROVED PETER LU	3/8/10			
PAGE 2 OF 2	FILE HFJT1-1G16-L12RL.DWG				