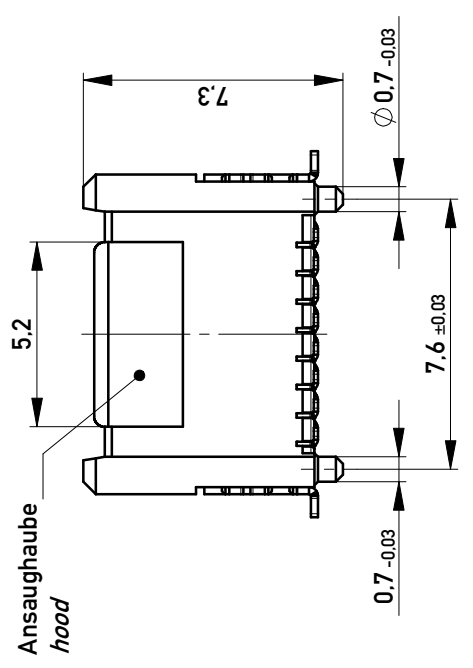
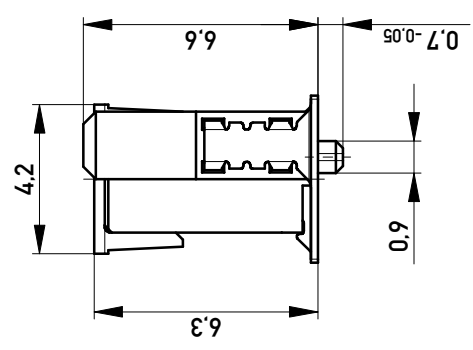
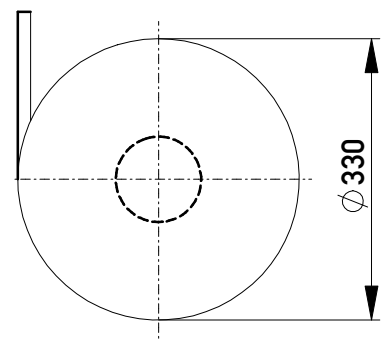
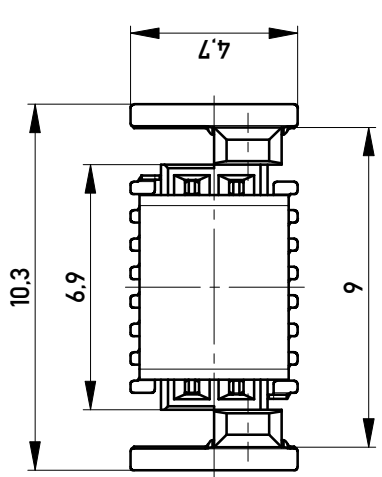
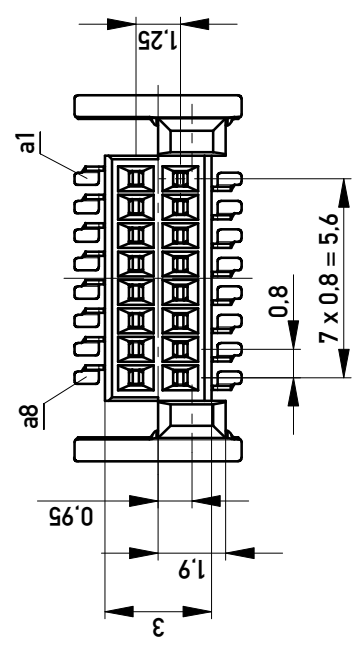


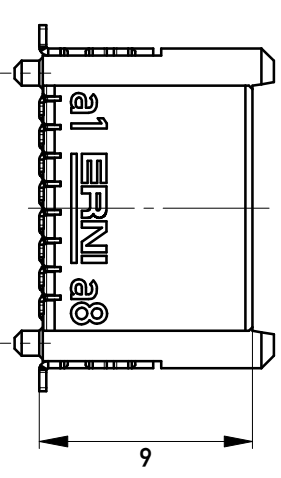
Verpackt im Gurt in Anlehnung an DIN IEC 60286-3
 Tape on Reel Packaging according to DIN IEC 60286-3
 Verpackungseinheit: 740 Stück
 Packaging unit: 740 pcs



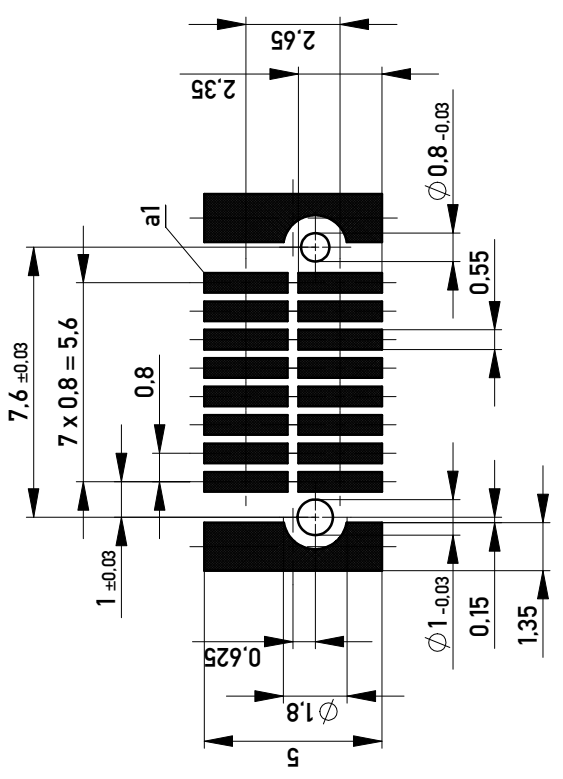
ohne Ansaughaube - without hood



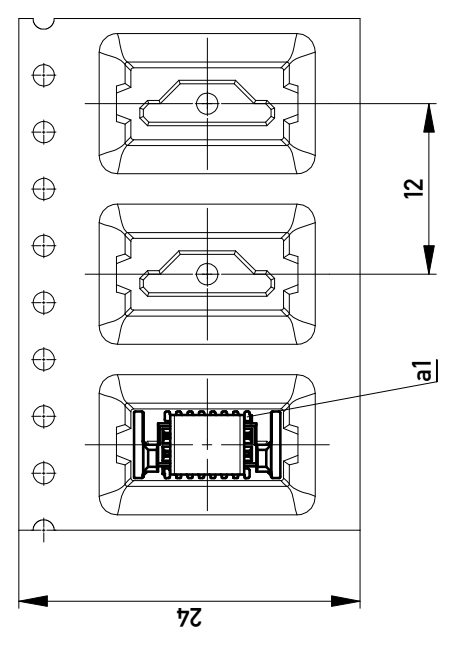
ohne Ansaughaube - without hood



Leiterplatten-Layout Vorschlag für SMT
 PCB-Layout Proposal for SMT



Abspulrichtung - Reel off Direction



Anforderungsstufe 1
 Performance Level 1

Kontaktbereich vergoldet
 Mating Area gold plating

Anschlussbereich verzinkt 4-6 µm
 Terminal Area 4-6 µm tin plating

Koplanarität der Anschlüsse ≤ 0,1 mm
 Coplanarity Area of Termination ≤ 0.1 mm

Information:		Scale 5:1	
Tolerances		All Dimensions in mm	
Subject to modification without prior notice. Drawing will not be updated.		Designation	
All rights reserved. Only for information. To ensure that this is the latest version of this drawing, please contact one of the ERNI companies before using.		0,8 DRC-B, F 6mm, 16 polig 0,8 DRC-B, F 6mm, 16 pin	
www.ERNI.com		454925	
e	28.04.2016	Date	
Index		Class	
		DRCB	
		A3	

Copyright by ERNI Production GmbH & Co. KG
 Proprietary notice pursuant to ISO 16016 to be observed.