

Filter Data Sheets

Solder Mounted C and Pi Circuit Filters

SLT

Ordering Information

Please state Part Number.

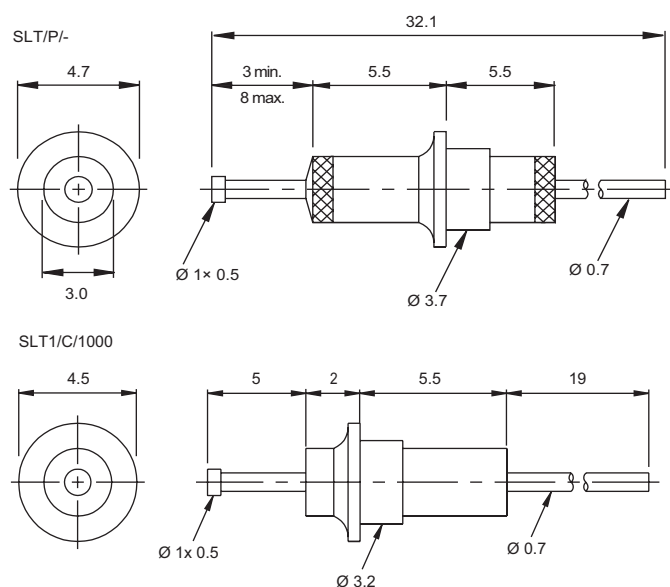
Materials

Mounting eyelet: Brass, silver finish.

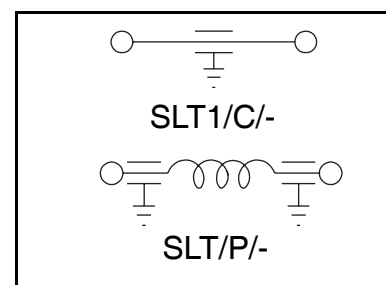
Feedthrough terminations: Copper alloy, tin lead or silver finish.

Case Dimensions

All dimensions in millimetres.



Circuit Diagram



Voltage Rating

Type C		Type Pi	
-55 to 85°C	+125°C	-55 to 85°C	+125°C
400 V d.c.	-	200 V d.c.	100 V d.c.

Type	Mounting Hole	Minimum Pitch
SLT1/C/1000	3.4 mm	4.8 mm
SLT/P/680	4 mm	5 mm
SLT/P/1500	4 mm	5 mm
SLT/P/5000	4 mm	5 mm

Characteristics

Part Number	Cap. (pF) (min.)	Current Rating (A d.c. & 400 Hz a.c.)	Typical Insertion Loss (dB) (50 Ω system)					Color Code
			1 MHz	10 MHz	100 MHz	1 GHz	10 Ghz	
SLT1/C/1000	1000	10	-	5	24	40	65	-
SLT/P/680	680	10	-	4	35	60	70	GREEN
SLT/P/1500	1500	10	1	12	50	75	75	BLUE
SLT/P/5000	5000	10	4	25	70	75	75	RED