

MATERIALS AND FINISHES:

SMA JACK BULKHEAD IP68 CONNECTOR:

BODY, CRIMP TUBE, JAM NUT: BRASS
PLATED GOLD

CENTER CONTACT: BERYLLIUM COPPER
PLATED GOLD

INSULATOR: PTFE

LOCK WASHER: PHOSPHOR BRONZE
PLATED GOLD

GASKET: SILICONE RUBBER

MHF® I LK CONNECTOR:

CABLE: 1.37MM CABLE

HEAT SHRINK TUBE: PE

PERFORMANCE REQUIREMENTS

FREQUENCY RANGE: 0~6GHz

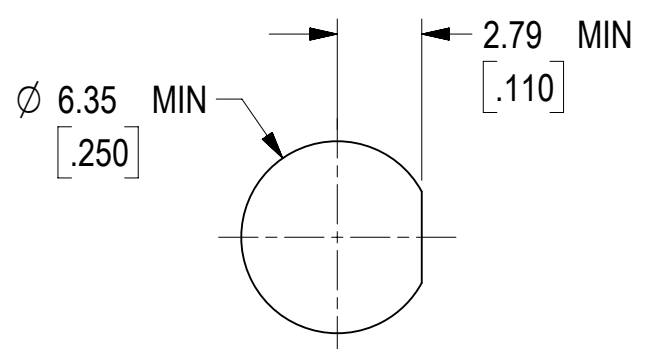
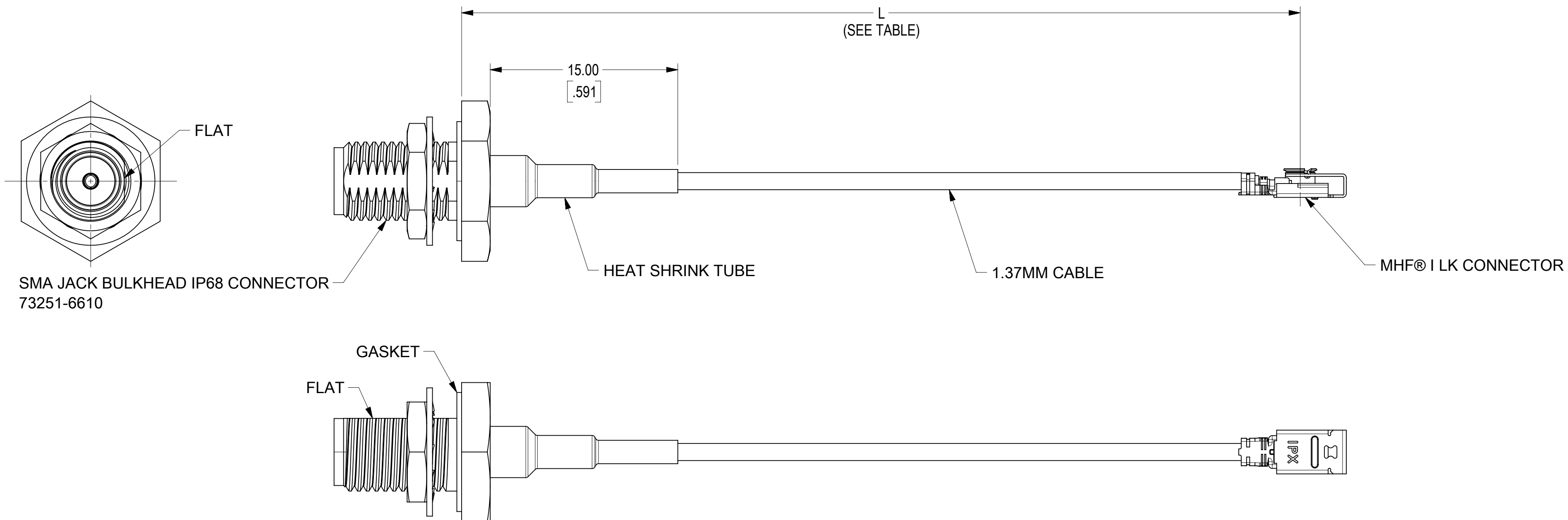
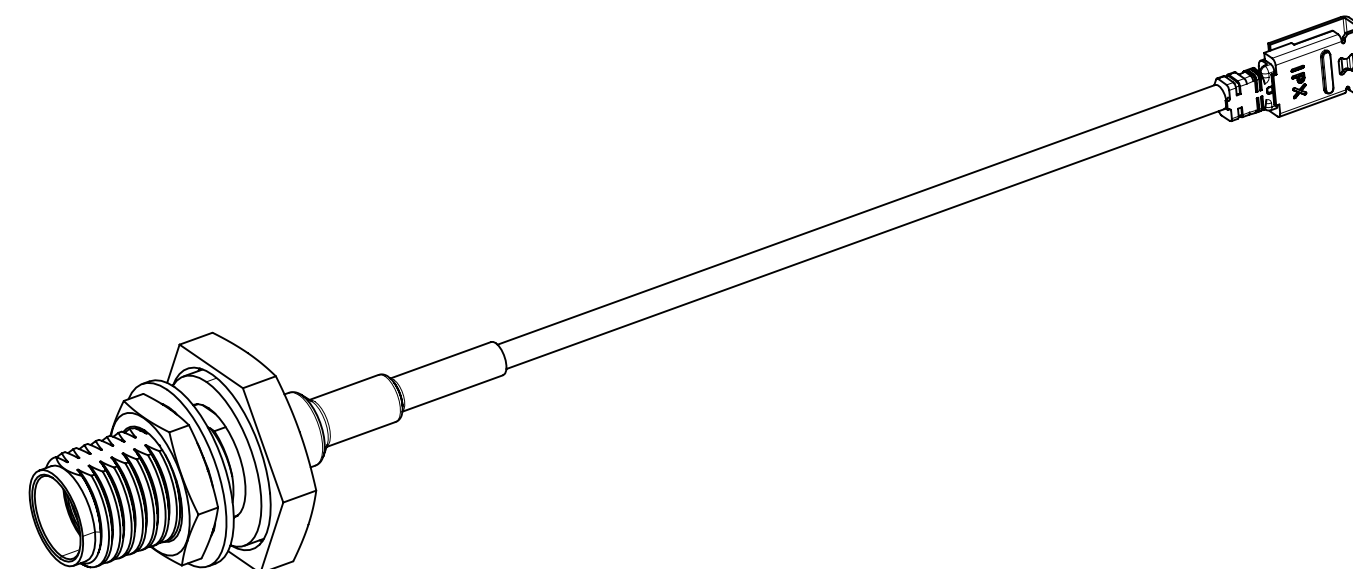
IMPEDANCE: 50 Ω

WITHSTAND VOLTAGE(AC): 350V @0.5mA

CONTINUITY: 100% TEST

PANEL LEAKAGE: IP68

PACKAGING BY PLASTIC BAG



RECOMMENDED MOUNTING HOLE

73230-6135	2.000±.118	50.80±3.00
73230-6134	4.000±.197	101.60±5.00
73230-6133	6.000±.197	152.40±5.00
73230-6132	8.000±.197	203.20±5.00
73230-6131	10.000±.197	254.00±5.00
73230-6130	12.008±.197	305.00±5.00
PART NO.	IN	MM
	L	

FUNCTIONAL SYMBOLS	THIS DRAWING CONTAINS INFORMATION THAT IS PROPRIETARY TO MOLEX ELECTRONIC TECHNOLOGIES, LLC AND SHOULD NOT BE USED WITHOUT WRITTEN PERMISSION											
MM/INCH	SCALE	CURRENT REV DESC: ADD NEW PN.73230-6131, -6132, -6133, -6134, -6135 PER EWR#: 15300-D.								molex		
4 PLACES	4:1	EC NO: 756278										CA, SMA JACK BULKHEAD IP68 TO MHF® ? LK WITH DIA 1.37MM CABLE,50 OHMS,EWR#: 15300-A
GENERAL TOLERANCES (UNLESS SPECIFIED)	DRWN: YHUANG11 2023/07/07										PRODUCT CUSTOMER DRAWING	
ANGULAR TOL ± °	CHK'D: JCHEN108 2023/07/12										DOCUMENT NUMBER	
3 PLACES	APPR: LCHEN03 2023/07/13										732306130	
2 PLACES	INITIAL REVISION:										DOC TYPE	
1 PLACE	DRWN: YHUANG11 2022/07/15										PSD	
0 PLACES	APPR: LCHEN03 2022/09/22										000	
DRAFT WHERE APPLICABLE MUST REMAIN WITHIN DIMENSIONS	THIRD ANGLE PROJECTION	DRAWING	SERIES	MATERIAL NUMBER	CUSTOMER	SHEET NUMBER						
		C-SIZE	73230	SEE TABLE	GENERAL MARKET	1 OF 1						

DOCUMENT STATUS	P1	RELEASE DATE	2023/07/13	01:49:55
-----------------	----	--------------	------------	----------