

PLEASE CHECK WWW.MOLEX.COM FOR LATEST PART INFORMATION

Part Number: [0850130048](#)
Status: **Active**
Overview: [DIN 41612](#)
Description: 2.54mm Pitch DIN 41612 Header, Through Hole, Vertical, Style R Reverse, 0.60µm Selective Gold (Au), 96 Circuits, Lead-Free

Documents:

[3D Model](#) [Product Specification PS-85013-0001 \(PDF\)](#)
[Drawing \(PDF\)](#) [RoHS Certificate of Compliance \(PDF\)](#)

Agency Certification

CSA LR19980
 UL E29179

General

Product Family Backplane Connectors
 Series [85013](#)
 Application Backplane
 Component Type PCB Header
 Overview [DIN 41612](#)
 Product Name IEC 603-2/DIN 41612
 Style R
 UPC 800753680203

Physical

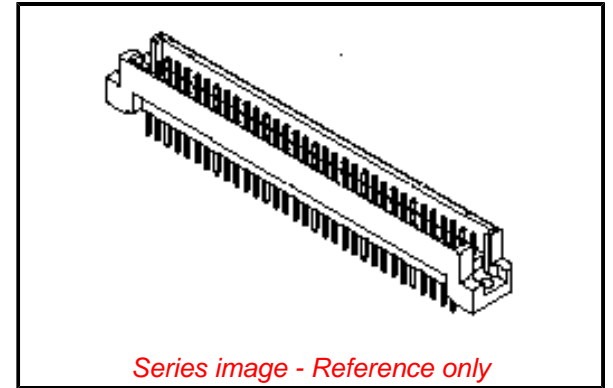
Circuits (Loaded) 96
 Circuits (maximum) 96
 Circuits Detail Rows A, B, & C
 Durability (mating cycles max) 400
 First Mate / Last Break No
 Flammability 94V-0
 Guide to Mating Part No
 Keying to Mating Part Yes
 Material - Plating Mating Gold
 Net Weight 10.274/g
 Number of Columns 32
 Number of Pairs Open Pin Field
 Number of Rows 3
 Orientation Vertical
 PC Tail Length 2.90mm
 PCB Locator No
 PCB Retention Yes
 PCB Thickness - Recommended 1.60mm
 Packaging Type Tray
 Pitch - Mating Interface 2.54mm
 Pitch - Termination Interface 2.54mm
 Plating min - Mating 0.610µm
 Surface Mount Compatible (SMC) No
 Temperature Range - Operating -55° to +125°C

Electrical

Current - Maximum per Contact 1.0A
 Data Rate 622.0 Mbps
 Voltage - Maximum 1000V (RMS)

Solder Process Data

Lead-freeProcess Capability N/A



EU ELV

Not Relevant

EU RoHS

Compliant

REACH SVHC

Not Contained Per -
 ED/71/2019 (16 July
 2019)

Halogen-Free

Status

Not Low-Halogen

For more information, please visit [Contact US](#)

China ROHS

ELV

RoHS Phthalates

China RoHS

Green Image

Not Relevant

Not Contained

Search Parts in this Series

[85013 Series](#)

Mates With

[85042](#) DIN 41612 Receptacle. [85052](#) DIN 41612 Header

Material Info

Engineering Number

96P-6043-072V-V

Reference - Drawing Numbers

Product Specification

PS-85013-0001

Sales Drawing

SD-85013-0048, SDA-85013-0001, SDA-85013-0048

This document was generated on 08/23/2019

PLEASE CHECK WWW.MOLEX.COM FOR LATEST PART INFORMATION