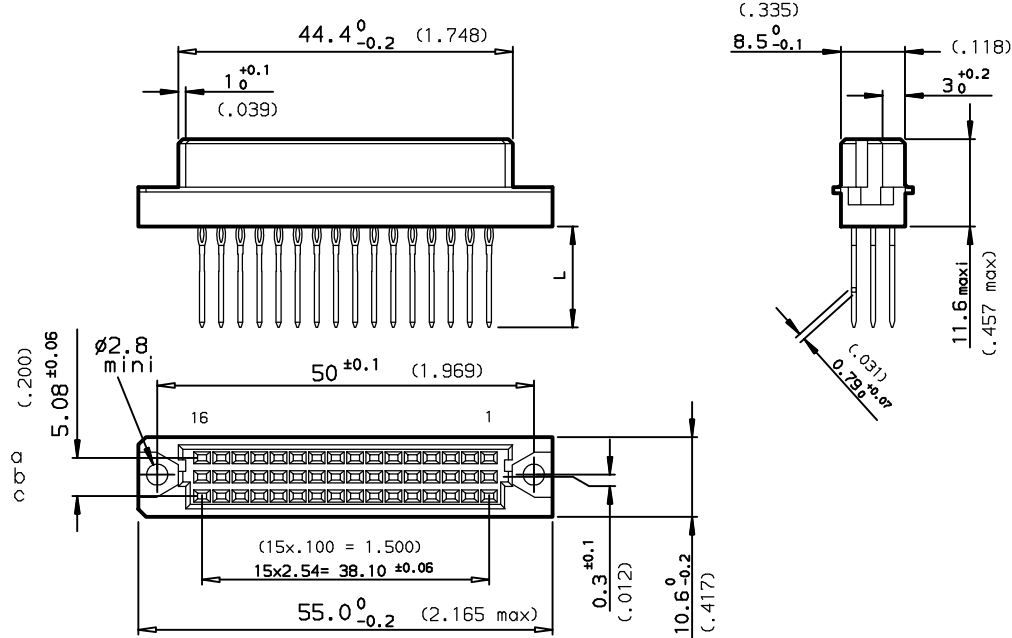
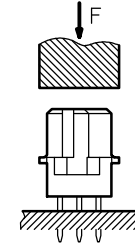


DIMENSIONS mm (inches)



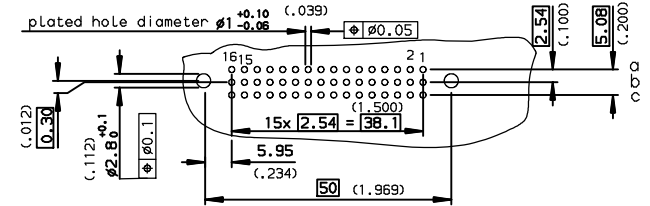
METHOD OF INSERTION ON THE PCB = FLAT ROCK



PART NUMBER	8609	83	7	5
PIN OUT				
rows a-b-c	3	48		
rows a-c	4	32		
NUMBER OF CONTACTS				
TERMINATION				
L = 13.10 ±0.20 (C.515)	1 wrap			0.091
L = 17.10 ±0.20 (C.673)	2 wraps			0.021
L = 3.00 ±0.20 (C.118)	short post			0.021
PERFORMANCE CLASS				
DIN 41612 class 3				4
DIN 41612 class 2				
DIN 41612 class 1				0.021
TERMINATION TYPE				
TIN LEAD				000E3
LEAD FREE				E3LF

PCB DRILLING

component side



GENERAL CHARACTERISTICS AND ROHS INFORMATIONS:

SEE DRAWING C-8609-0000C

European Views

www.fciconnect.com	surface ISO 1302	tolerance std ISO 406 ISO 1101	projection	mm
	TOLERANCES UNLESS OTHERWISE SPECIFIED			
Dr ROUILLARD 1998/06/15	ANGULAR	LINEAR	size A3	Scale 1.5
Eng TARON 1998/06/15	0.xx	±0.1		
Chr LEGARE 1998/06/15	0.xx	±0.1	ECN LS06-0095	
Appr LEGARE 1998/06/15	0.xxx	±0.1	Spec ref -	
	Product family	DIN 8609		
FCI	title STRAIGHT FEMALE - STYLE C/2	eng C-8609-0725	Rev. C	
	PRESS FIT			
catalog no			CUSTOMER	sheet 1 of 1

rev	ecn no	dr	date
A	-	-	1998/06/15
B	LS05-004	JTA	2005/02/26
C	LS06-0095	LGO	2006/06/24
-	-	-	-
-	-	-	-
-	-	-	-
-	-	-	-

Mouser Electronics

Authorized Distributor

Click to View Pricing, Inventory, Delivery & Lifecycle Information:

[FCI / Amphenol:](#)

[86093488394755E3LF](#) [86093488394765E3LF](#) [86093488392765E3LF](#) [86093488394745E3LF](#)
[86094328394755E3LF](#) [86093488391755E3LF](#)