

**NOTES:-**  
 1. THE "LF" PRODUCTS MEET EUROPEAN UNION DIRECTIVES AND OTHER COUNTRY REGULATIONS AS DESCRIBED IN GS-22-008  
 2. LEAD FREE OR RoHS DIRECTIVE LABELING TO BE PROVIDED AS PER GS-14-920 FOR RoHS COMPATIBLE VERSION.

**PERFORMANCES CHARACTERISTICS**  
 VOLTAGE RATING : 250 VAC (rms)  
 CURRENT RATING : 1,5 A AT 25 °C, 1 A AT 70 °C.  
 INSULATION RESISTANCE : 1000 MΩ INITIAL, 100 MΩ MIN. AFTER TEST  
 DIELECTRIC WITH-  
 STANDING VOLTAGE : 1000 VAC (rms).  
 CONTACT RESISTANCE : 15 mΩ MAX. INITIAL, 5 mΩ MAX. RISE OF INITIAL VALUE AFTER TEST.  
 OPERATING TEMPERATURE\*: -40 °C TO +125 °C.  
 INSERTION FORCE : 1 N MAX./CONTACT.  
 WITHDRAWAL FORCE : 0,2 N MIN./CONTACT.  
 \*DEPENDING ON THE CABLE, THE MAX. TEMPERATURE CAN BE LOWER. FOR STANDARD PVC INSULATED CABLE : 105 °C MAX.

**CONSTRUCTION**  
 BODY MATERIAL : GLASS-REINFORCED THERMOPLASTIC (UL94V-0).  
 CONTACT MATERIAL : PHOSPHOR BRONZE.  
 CONTACT FINISH : Au OVER Ni IN CONTACT AREA  
 SnPb ON I.D.C. TERMINAL FOR LEADED PRODUCTS.  
 Sn (MATTE TIN) ON I.D.C. TERMINAL FOR LEAD FREE PRODUCTS.  
 Z0 : PERFORMANCE LEVEL PER DIN41612 CLASS 3  
 Z1 : PERFORMANCE LEVEL PER DIN41612 CLASS 2  
 E9 : PERFORMANCE LEVEL PER DIN41612 CLASS 1  
 OTHERS : CONSULT FCI

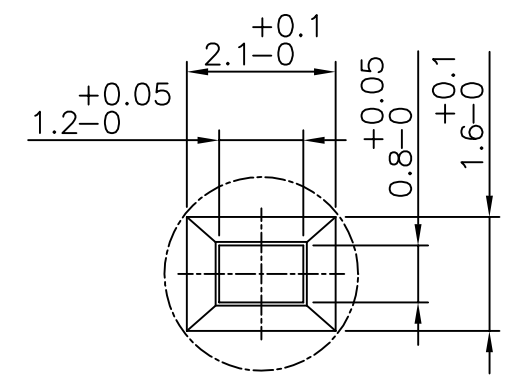
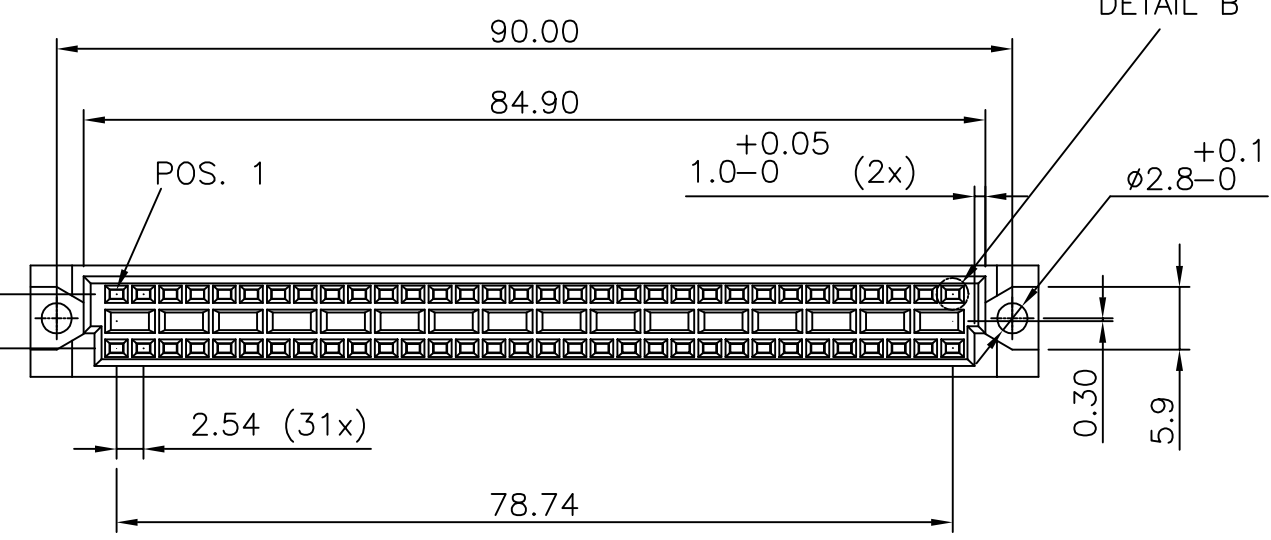
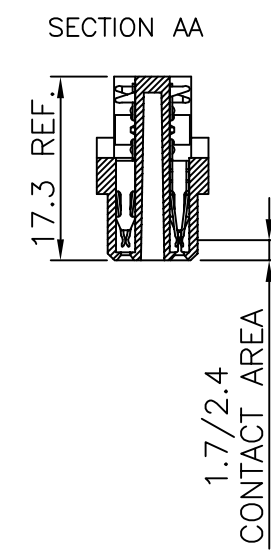
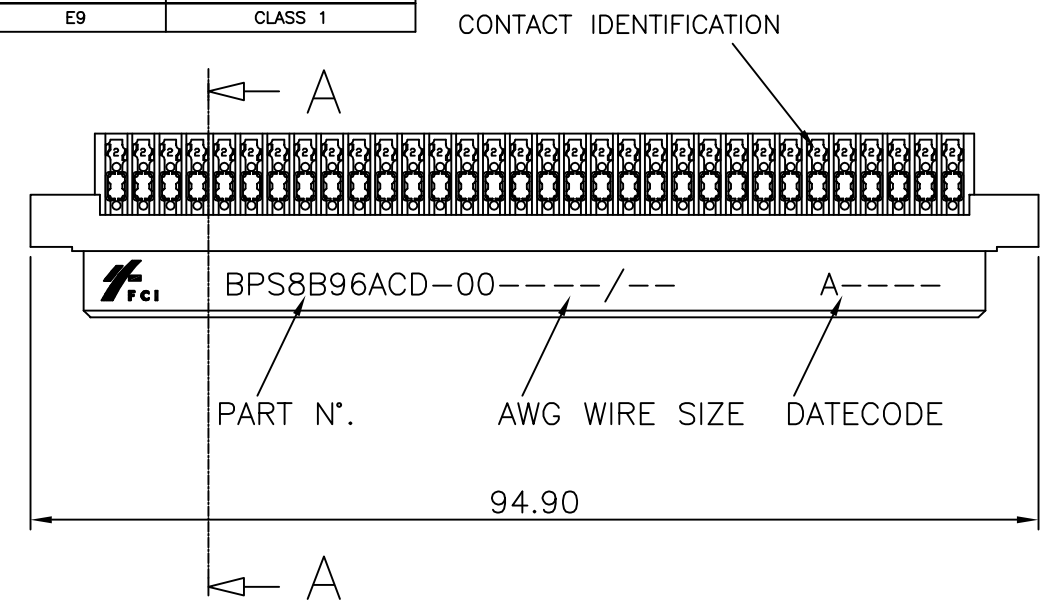
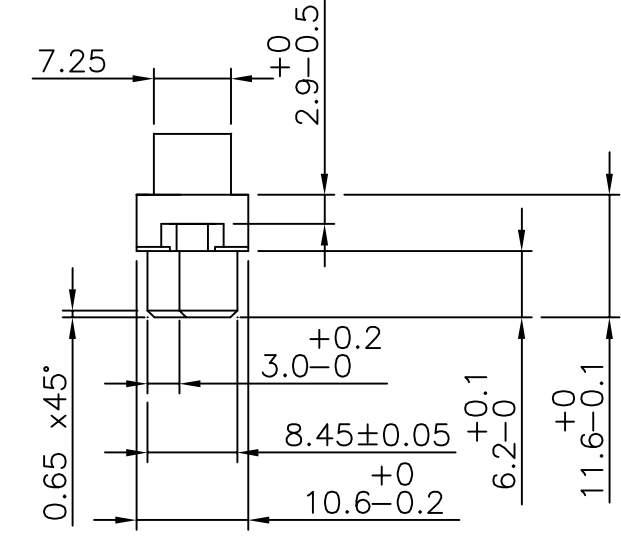
**PART NUMBERS**  
 BPS8B96ACD000--- CONNECTOR FOR WIRE SIZE AWG28, AWG30. (CONTACT IDENTIFICATION : 0).  
 BPS8B96ACD200--- CONNECTOR FOR WIRE SIZE AWG24, AWG26 (CONTACT IDENTIFICATION : 2).  
**AWG WIRE SIZE MARKING**  
 BPS8B96ACD000--- : 28/30.  
 BPS8B96ACD000---LF : 28/30.  
 BPS8B96ACD200--- : 24/26.  
 BPS8B96ACD200---LF : 24/26.

**DATECODE MARKING**  
 A + YEAR & WEEKCODE, EXAMPLE : A9950.

|                  |                                      |  |
|------------------|--------------------------------------|--|
| PRODUCT NUMBER   | BPS8B96ACD-00-----                   |  |
| WITH "LF" SUFFIX | LEAD FREE OR RoHS COMPATIBLE PRODUCT |  |
| WITHOUT SUFFIX   | LEADED PRODUCT                       |  |

| WIRE ACCOMODATION |           |                        |
|-------------------|-----------|------------------------|
| PRODUCT NUMBER    | WIRE SIZE | CONTACT IDENTIFICATION |
| BPS8B96ACD000---  | AWG28/30  | 0                      |
| BPS8B96ACD200---  | AWG24/26  | 2                      |

| CONTACT PLATING |                                |
|-----------------|--------------------------------|
| PLATING CODE    | PERFORMANCE LEVEL PER DIN41612 |
| Z0              | CLASS 3                        |
| Z1              | CLASS 2                        |
| E9              | CLASS 1                        |



|             |          |                |            |                                       |        |            |  |                          |  |
|-------------|----------|----------------|------------|---------------------------------------|--------|------------|--|--------------------------|--|
| mat'l. code |          | surface        |            | tolerance                             |        | projection |  | product family           |  |
| SEE NOTE    |          | ISO 1302       |            | ISO 406 ISO 1101                      |        | mm         |  | BPS8                     |  |
| ltr         | ecn no   | dr             | date       | tolerances unless otherwise specified |        | mm         |  | title                    |  |
| A           | F00819   | DLE            | 2000-10-20 | angles                                | linear | mm         |  | ASSY BPS8                |  |
| B           | I05-0123 | MINI           | 2005-07-27 | ±1'                                   |        | mm         |  | 96 POS. A,C LOADED       |  |
| C           | I06-0067 | MINI           | 2006-06-01 | ±1'                                   |        | mm         |  | scale -                  |  |
| sheet index |          | revision sheet |            | dr                                    |        | D.LEGRAND  |  | dwg no                   |  |
| 1           |          | 2              |            | 2000-10-20                            |        | 2000-10-20 |  | sheet 1 of 6             |  |
| 3           |          | 4              |            | 2006-06-01                            |        | 2006-06-01 |  | size                     |  |
| 5           |          | 6              |            | 2006-06-01                            |        | 2006-06-01 |  | A3                       |  |
| 6           |          | 7              |            | 2006-06-01                            |        | 2006-06-01 |  | type                     |  |
| 8           |          | 9              |            | 2006-06-01                            |        | 2006-06-01 |  | Product Customer Drawing |  |

FCIconnect.com  
 Copyright FCI

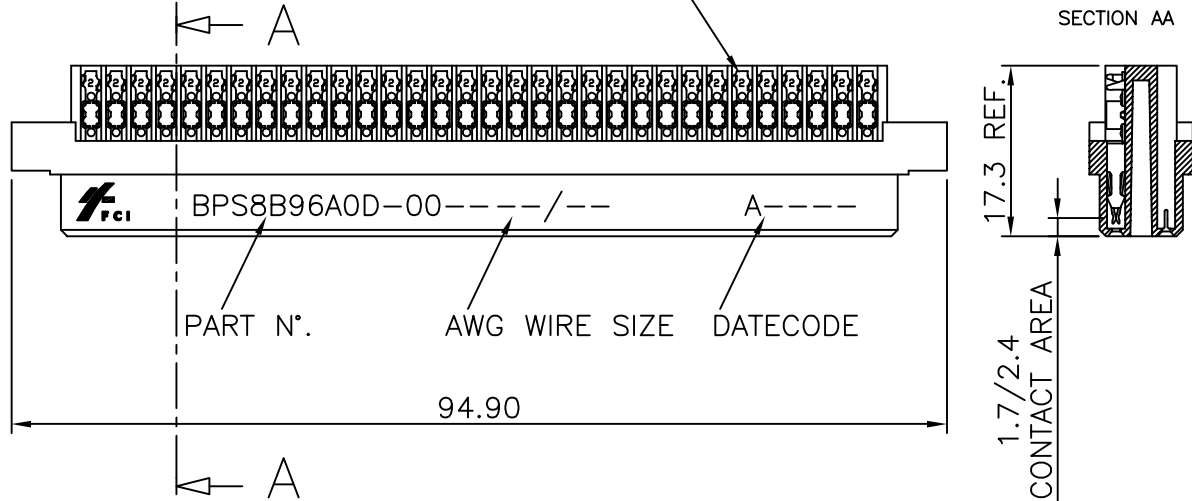
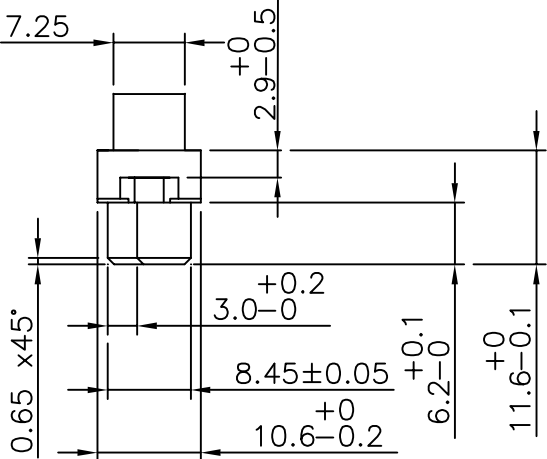
PRODUCT NUMBER BPS8B96A0D-00-----

|                  |                                      |
|------------------|--------------------------------------|
| WITH "LF" SUFFIX | LEAD FREE OR RoHS COMPATIBLE PRODUCT |
| WITHOUT SUFFIX   | LEADED PRODUCT                       |

| WIRE ACCOMODATION |           |                        |
|-------------------|-----------|------------------------|
| PRODUCT NUMBER    | WIRE SIZE | CONTACT IDENTIFICATION |
| BPS8B96A0D000--   | AWG28/30  | 0                      |
| BPS8B96A0D200--   | AWG24/26  | 2                      |

| CONTACT PLATING |                                |
|-----------------|--------------------------------|
| PLATING CODE    | PERFORMANCE LEVEL PER DIN41612 |
| Z0              | CLASS 3                        |
| Z1              | CLASS 2                        |
| E9              | CLASS 1                        |

CONTACT IDENTIFICATION



**NOTES:-**  
 1. THE "LF" PRODUCTS MEET EUROPEAN UNION DIRECTIVES AND OTHER COUNTRY REGULATIONS AS DESCRIBED IN GS-22-008  
 2. LEAD FREE OR RoHS DIRECTIVE LABELING TO BE PROVIDED AS PER GS-14-920 FOR RoHS COMPATIBLE VERSION.

**PERFORMANCES CHARACTERISTICS**

VOLTAGE RATING : 250 VAC (rms)  
 CURRENT RATING : 1,5 A AT 25 °C, 1 A AT 70 °C.  
 INSULATION RESISTANCE : 1000MΩINITIAL, 100MΩMIN. AFTER TEST  
 DIELECTRIC WITH-  
 STANDING VOLTAGE : 1000 VAC (rms).  
 CONTACT RESISTANCE : 15mΩMAX. INITIAL, 5mΩMAX. RISE OF INITIAL VALUE AFTER TEST.  
 OPERATING TEMPERATURE\*: -40 °C TO +125 °C.  
 INSERTION FORCE : 1 N MAX./CONTACT.  
 WITHDRAWAL FORCE : 0,2 N MIN./CONTACT.

\*DEPENDING ON THE CABLE, THE MAX. TEMPERATURE CAN BE LOWER.  
 FOR STANDARD PVC INSULATED CABLE : 105 °C MAX.

**CONSTRUCTION**

BODY MATERIAL : GLASS-REINFORCED THERMOPLASTIC (UL94V-0).  
 CONTACT MATERIAL : PHOSPHOR BRONZE.  
 CONTACT FINISH : Au OVER Ni IN CONTACT AREA  
 SnPb ON I.D.C. TERMINAL FOR LEADED PRODUCTS.  
 Sn (MATTE TIN) ON I.D.C. TERMINAL FOR LEAD FREE PRODUCTS.  
 Z0 : PERFORMANCE LEVEL PER DIN41612 CLASS 3  
 Z1 : PERFORMANCE LEVEL PER DIN41612 CLASS 2  
 E9 : PERFORMANCE LEVEL PER DIN41612 CLASS 1  
 OTHERS : CONSULT FCI

**PART NUMBERS**

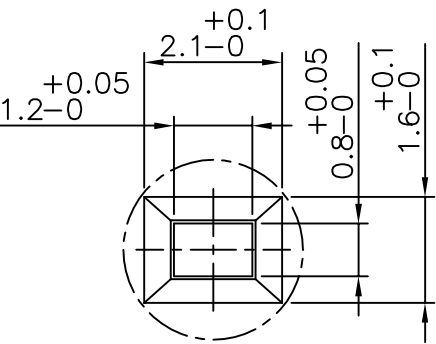
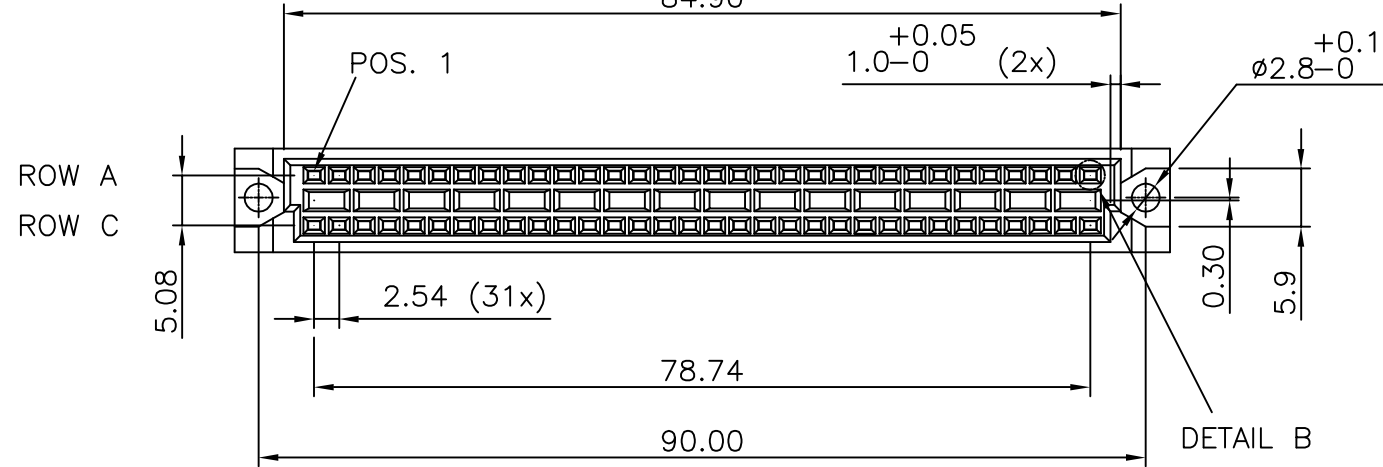
BPS8B96A0D000-- CONNECTOR FOR WIRE SIZE AWG28, AWG30.  
 (CONTACT IDENTIFICATION : 0).  
 BPS8B96A0D200-- CONNECTOR FOR WIRE SIZE AWG24, AWG26  
 (CONTACT IDENTIFICATION : 2).

**AWG WIRE SIZE MARKING**

BPS8B96A0D000-- : 28/30  
 BPS8B96A0D000--LF : 28/30  
 BPS8B96A0D200-- : 24/26  
 BPS8B96A0D200--LF : 24/26

**DATECODE MARKING**

A + YEAR & WEEKCODE, EXAMPLE : A9950.



ONLY ROW A FULLY EQUIPPED WITH CONTACTS

|             |          |                |            |                                       |        |            |  |                          |  |
|-------------|----------|----------------|------------|---------------------------------------|--------|------------|--|--------------------------|--|
| mat'l. code |          | surface        |            | tolerance                             |        | projection |  | product family           |  |
| SEE NOTE    |          | ISO 1302       |            | ISO 406 ISO 1101                      |        | mm         |  | BPS8                     |  |
| ltr         | ecn no   | dr             | date       | tolerances unless otherwise specified |        | mm         |  | title                    |  |
| A           | F00819   | DLE            | 2000-10-20 | angles                                | linear | mm         |  | ASSY BPS8                |  |
| B           | I05-0123 | MINI           | 2005-07-27 | ±1'                                   |        | mm         |  | 96 POS. A LOADED         |  |
| C           | I06-0067 | MINI           | 2006-06-01 |                                       |        | scale -    |  | dwg no                   |  |
|             |          | dr             |            | D.LEGRAND                             |        | 2000-10-20 |  | sheet 2 of 6             |  |
|             |          | enr            |            | J.F.NOTTEAU                           |        | 2000-10-20 |  | size                     |  |
|             |          | chr            |            | RAKHEE GEORGE                         |        | 2006-06-01 |  | A3                       |  |
|             |          | appd           |            | RAKHEE GEORGE                         |        | 2006-06-01 |  | type                     |  |
| sheet index |          | revision sheet |            |                                       |        |            |  | Product Customer Drawing |  |

**NOTES:-**  
 1. THE "LF" PRODUCTS MEET EUROPEAN UNION DIRECTIVES AND OTHER COUNTRY REGULATIONS AS DESCRIBED IN GS-22-008  
 2. LEAD FREE OR RoHS DIRECTIVE LABELING TO BE PROVIDED AS PER GS-14-920 FOR RoHS COMPATIBLE VERSION.

**PERFORMANCES CHARACTERISTICS**  
 VOLTAGE RATING : 250 VAC (rms)  
 CURRENT RATING : 1,5 A AT 25 °C, 1 A AT 70 °C.  
 INSULATION RESISTANCE : 1000MΩINITIAL, 100MΩMIN. AFTER TEST  
 DIELECTRIC WITH-  
 STANDING VOLTAGE : 1000 VAC (rms).  
 CONTACT RESISTANCE : 15mΩMAX.INITIAL, 5mΩMAX. RISE OF INITIAL VALUE AFTER TEST.  
 OPERATING TEMPERATURE\*: -40 °C TO +125 °C.  
 INSERTION FORCE : 1 N MAX./CONTACT.  
 WITHDRAWAL FORCE : 0,2 N MIN./CONTACT.  
 \*DEPENDING ON THE CABLE, THE MAX. TEMPERATURE CAN BE LOWER.  
 FOR STANDARD PVC INSULATED CABLE : 105 °C MAX.

**CONSTRUCTION**  
 BODY MATERIAL : GLASS-REINFORCED THERMOPLASTIC (UL94V-0).  
 CONTACT MATERIAL : PHOSPHOR BRONZE.  
 CONTACT FINISH : 1.25 μm Au MIN. OVER 2 μm Ni MIN.  
 IN CONTACT AREA  
 SnPb ON I.D.C. TERMINAL FOR LEADED PRODUCTS  
 Sn (MATTE TIN) ON I.D.C. TERMINAL FOR LEAD FREE PRODUCTS

**CABLE** : 3M FLEXIBLE TWISTED PAIR CABLE (WIRES & CABLE) TYPE 3782 PER UL STYLE/20488 OR TYPE 3783 PER UL STYLE/2935.

**PART NUMBERS**  
 BPS8B96ACD100L9-----CONNECTOR FOR WIRE SIZE AWG28  
 (CONTACT IDENTIFICATION : 1).

**AWG WIRE SIZE MARKING**  
 BPS8B96ACD100L9 : 28  
 BPS8B96ACD100L9LF : 28

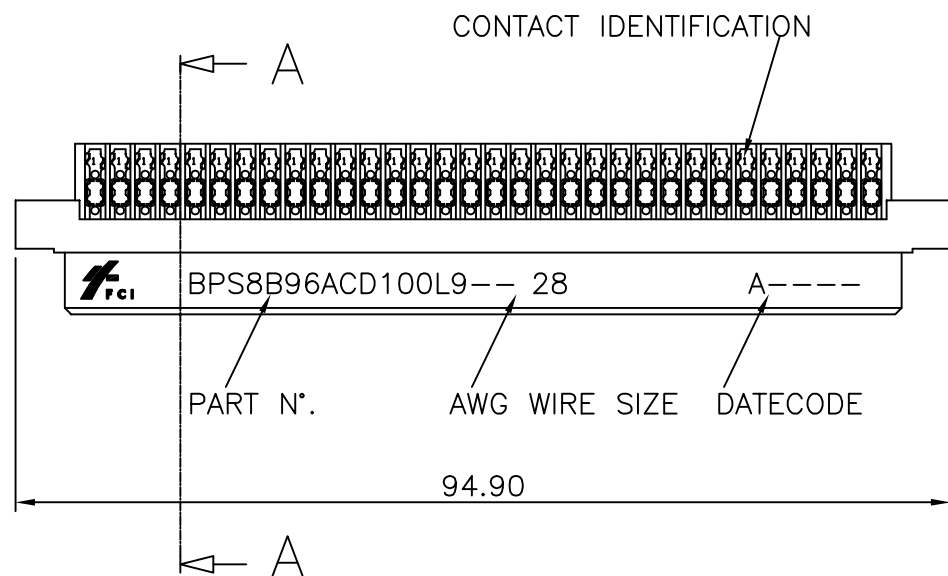
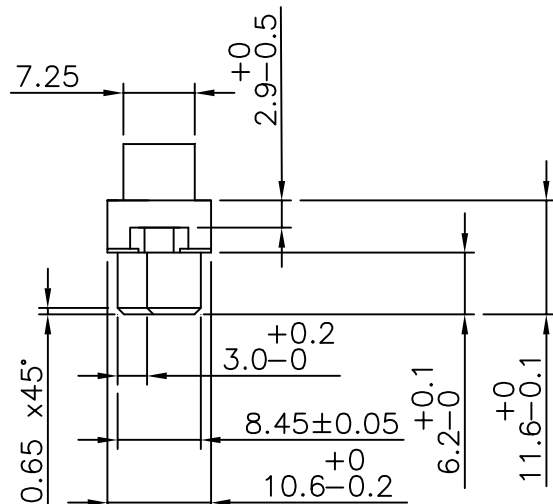
**DATECODE MARKING**  
 A + YEAR & WEEKCODE, EXAMPLE : A9950.

PRODUCT NUMBER BPS8B96ACD100L9

PRODUCT NUMBER BPS8B96ACD100L9LF

LEADED PRODUCT

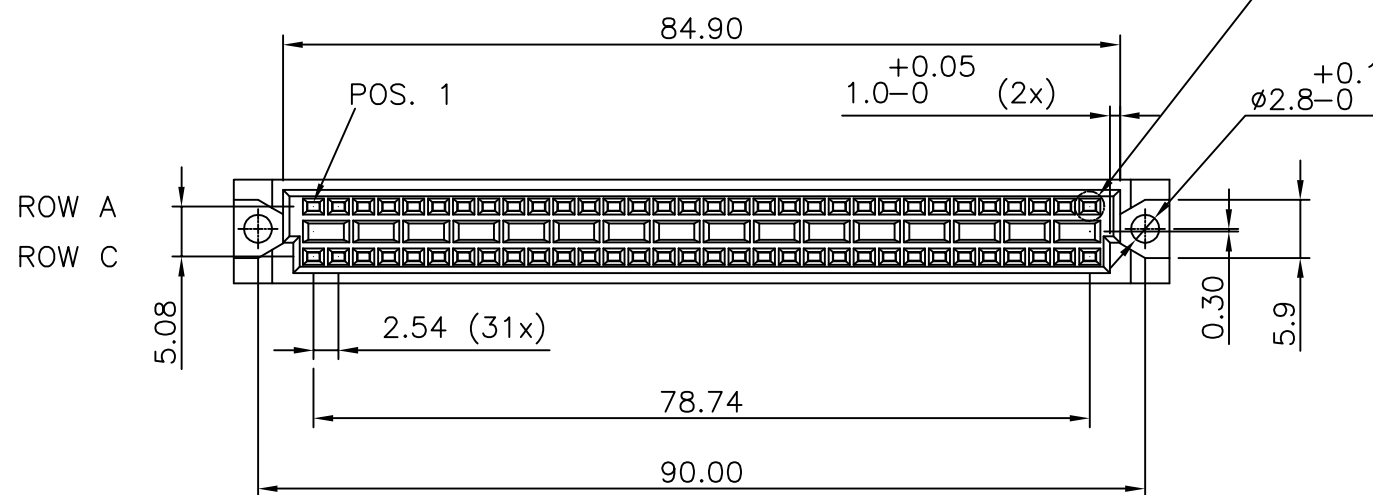
LEAD FREE OR RoHS COMPATIBLE PRODUCT



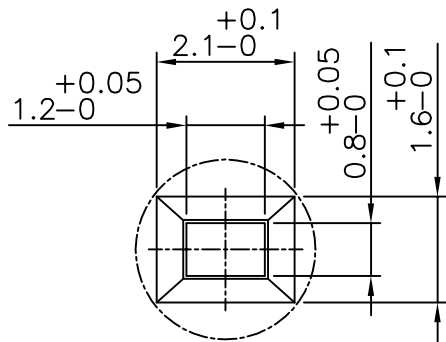
SECTION AA



DETAIL B



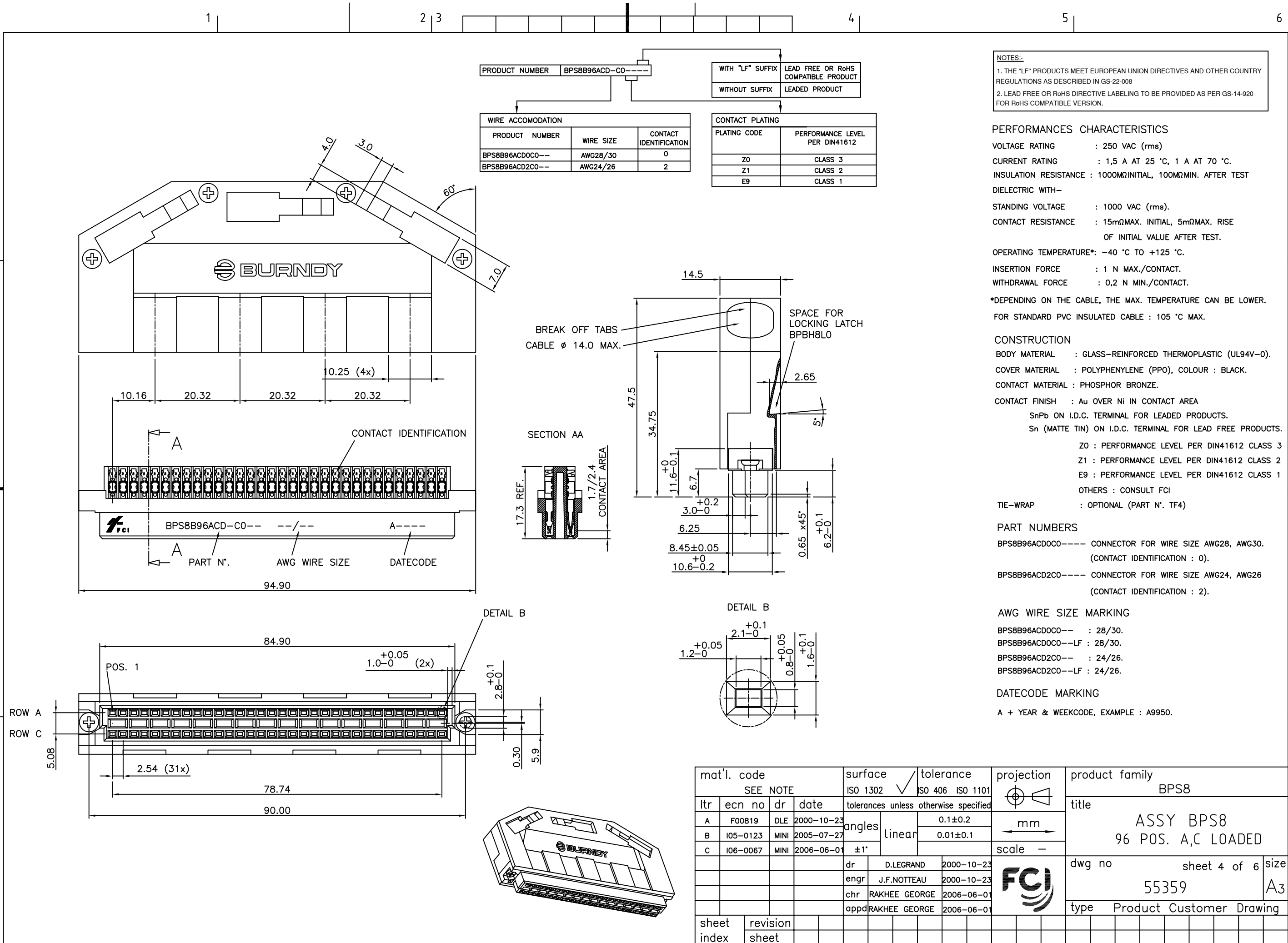
DETAIL B



|             |          |                |            |                                       |        |            |  |                          |  |
|-------------|----------|----------------|------------|---------------------------------------|--------|------------|--|--------------------------|--|
| mat'l. code |          | surface        |            | tolerance                             |        | projection |  | product family           |  |
| SEE NOTE    |          | ISO 1302       |            | ISO 406 ISO 1101                      |        | mm         |  | BPS8                     |  |
| ltr         | ecn no   | dr             | date       | tolerances unless otherwise specified |        | mm         |  | title                    |  |
| A           | F00819   | DLE            | 2000-10-20 | angles                                | linear | mm         |  | ASSY BPS8                |  |
| B           | I05-0123 | MINI           | 2005-07-27 | ±1'                                   |        | mm         |  | 96 POS. A,C LOADED       |  |
| C           | I06-0067 | MINI           | 2006-06-01 | ±1'                                   |        | scale -    |  | dwg no                   |  |
|             |          | dr             |            | D.LEGRAND                             |        | 2000-10-20 |  | sheet 3 of 6             |  |
|             |          | enr            |            | J.F.NOTTEAU                           |        | 2000-10-20 |  | 55359                    |  |
|             |          | chr            |            | RAKHEE GEORGE                         |        | 2006-06-01 |  | size                     |  |
|             |          | appd           |            | RAKHEE GEORGE                         |        | 2006-06-01 |  | A3                       |  |
| sheet index |          | revision sheet |            |                                       |        |            |  | type                     |  |
|             |          |                |            |                                       |        |            |  | Product Customer Drawing |  |



Copyright FCI



|                                  |  |                  |                                      |
|----------------------------------|--|------------------|--------------------------------------|
| PRODUCT NUMBER BPS8B96ACD-C0---- |  | WITH "LF" SUFFIX | LEAD FREE OR RoHS COMPATIBLE PRODUCT |
|                                  |  | WITHOUT SUFFIX   | LEADED PRODUCT                       |

| WIRE ACCOMODATION |           |                        |
|-------------------|-----------|------------------------|
| PRODUCT NUMBER    | WIRE SIZE | CONTACT IDENTIFICATION |
| BPS8B96ACD0C0--   | AWG28/30  | 0                      |
| BPS8B96ACD2C0--   | AWG24/26  | 2                      |

| CONTACT PLATING |                                |
|-----------------|--------------------------------|
| PLATING CODE    | PERFORMANCE LEVEL PER DIN41612 |
| Z0              | CLASS 3                        |
| Z1              | CLASS 2                        |
| E9              | CLASS 1                        |

**NOTES:-**  
 1. THE "LF" PRODUCTS MEET EUROPEAN UNION DIRECTIVES AND OTHER COUNTRY REGULATIONS AS DESCRIBED IN GS-22-008  
 2. LEAD FREE OR RoHS DIRECTIVE LABELING TO BE PROVIDED AS PER GS-14-920 FOR RoHS COMPATIBLE VERSION.

**PERFORMANCES CHARACTERISTICS**  
 VOLTAGE RATING : 250 VAC (rms)  
 CURRENT RATING : 1,5 A AT 25 °C, 1 A AT 70 °C.  
 INSULATION RESISTANCE : 1000MΩINITIAL, 100MΩMIN. AFTER TEST  
 DIELECTRIC WITH-  
 STANDING VOLTAGE : 1000 VAC (rms).  
 CONTACT RESISTANCE : 15mΩMAX. INITIAL, 5mΩMAX. RISE OF INITIAL VALUE AFTER TEST.  
 OPERATING TEMPERATURE\*: -40 °C TO +125 °C.  
 INSERTION FORCE : 1 N MAX./CONTACT.  
 WITHDRAWAL FORCE : 0,2 N MIN./CONTACT.  
 \*DEPENDING ON THE CABLE, THE MAX. TEMPERATURE CAN BE LOWER.  
 FOR STANDARD PVC INSULATED CABLE : 105 °C MAX.

**CONSTRUCTION**  
 BODY MATERIAL : GLASS-REINFORCED THERMOPLASTIC (UL94V-0).  
 COVER MATERIAL : POLYPHENYLENE (PPO), COLOUR : BLACK.  
 CONTACT MATERIAL : PHOSPHOR BRONZE.  
 CONTACT FINISH : Au OVER Ni IN CONTACT AREA  
 SnPb ON I.D.C. TERMINAL FOR LEADED PRODUCTS.  
 Sn (MATTE TIN) ON I.D.C. TERMINAL FOR LEAD FREE PRODUCTS.  
 Z0 : PERFORMANCE LEVEL PER DIN41612 CLASS 3  
 Z1 : PERFORMANCE LEVEL PER DIN41612 CLASS 2  
 E9 : PERFORMANCE LEVEL PER DIN41612 CLASS 1  
 OTHERS : CONSULT FCI  
 TIE-WRAP : OPTIONAL (PART N°. TF4)

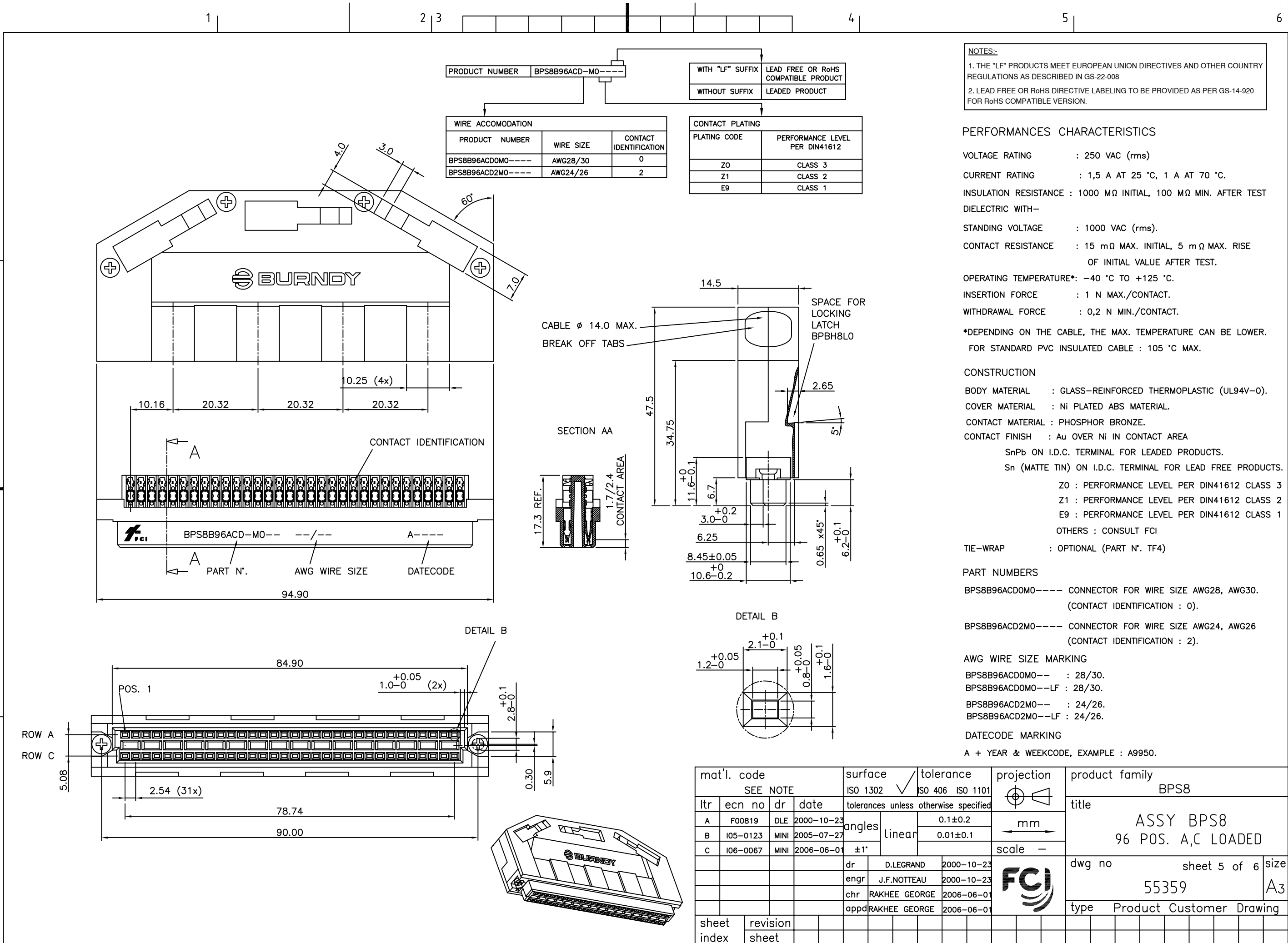
**PART NUMBERS**  
 BPS8B96ACD0C0---- CONNECTOR FOR WIRE SIZE AWG28, AWG30. (CONTACT IDENTIFICATION : 0).  
 BPS8B96ACD2C0---- CONNECTOR FOR WIRE SIZE AWG24, AWG26 (CONTACT IDENTIFICATION : 2).

**AWG WIRE SIZE MARKING**  
 BPS8B96ACD0C0-- : 28/30.  
 BPS8B96ACD0C0--LF : 28/30.  
 BPS8B96ACD2C0-- : 24/26.  
 BPS8B96ACD2C0--LF : 24/26.

**DATECODE MARKING**  
 A + YEAR & WEEKCODE, EXAMPLE : A9950.

|                     |          |                                       |            |                               |  |            |  |                               |  |
|---------------------|----------|---------------------------------------|------------|-------------------------------|--|------------|--|-------------------------------|--|
| mat'l. code         |          | surface                               |            | tolerance                     |  | projection |  | product family                |  |
| SEE NOTE            |          | ISO 1302                              |            | ISO 406 ISO 1101              |  | mm         |  | BPS8                          |  |
| litr ecn no dr date |          | tolerances unless otherwise specified |            | angles linear                 |  | mm         |  | title                         |  |
| A                   | F00819   | DLE                                   | 2000-10-23 | 0.1±0.2                       |  | mm         |  | ASSY BPS8                     |  |
| B                   | I05-0123 | MINI                                  | 2005-07-27 | 0.01±0.1                      |  | mm         |  | 96 POS. A,C LOADED            |  |
| C                   | I06-0067 | MINI                                  | 2006-06-01 | ±1'                           |  | scale -    |  | dwg no sheet 4 of 6 size      |  |
| sheet index         |          | revision sheet                        |            | dr D.LEGRAND 2000-10-23       |  | FCI        |  | 55359 A3                      |  |
|                     |          |                                       |            | enrg J.F.NOTTEAU 2000-10-23   |  |            |  | type Product Customer Drawing |  |
|                     |          |                                       |            | chr RAKHEE GEORGE 2006-06-01  |  |            |  |                               |  |
|                     |          |                                       |            | appd RAKHEE GEORGE 2006-06-01 |  |            |  |                               |  |





PRODUCT NUMBER BPS8B96ACD-M0----

|                  |                                      |
|------------------|--------------------------------------|
| WITH "LF" SUFFIX | LEAD FREE OR RoHS COMPATIBLE PRODUCT |
| WITHOUT SUFFIX   | LEADED PRODUCT                       |

| WIRE ACCOMODATION |           |                        |
|-------------------|-----------|------------------------|
| PRODUCT NUMBER    | WIRE SIZE | CONTACT IDENTIFICATION |
| BPS8B96ACD0M0---- | AWG28/30  | 0                      |
| BPS8B96ACD2M0---- | AWG24/26  | 2                      |

| CONTACT PLATING |                                |
|-----------------|--------------------------------|
| PLATING CODE    | PERFORMANCE LEVEL PER DIN41612 |
| Z0              | CLASS 3                        |
| Z1              | CLASS 2                        |
| E9              | CLASS 1                        |

**NOTES:-**  
 1. THE "LF" PRODUCTS MEET EUROPEAN UNION DIRECTIVES AND OTHER COUNTRY REGULATIONS AS DESCRIBED IN GS-22-008  
 2. LEAD FREE OR RoHS DIRECTIVE LABELING TO BE PROVIDED AS PER GS-14-920 FOR RoHS COMPATIBLE VERSION.

**PERFORMANCES CHARACTERISTICS**

VOLTAGE RATING : 250 VAC (rms)  
 CURRENT RATING : 1,5 A AT 25 °C, 1 A AT 70 °C.  
 INSULATION RESISTANCE : 1000 MΩ INITIAL, 100 MΩ MIN. AFTER TEST  
 DIELECTRIC WITH-  
 STANDING VOLTAGE : 1000 VAC (rms).  
 CONTACT RESISTANCE : 15 mΩ MAX. INITIAL, 5 mΩ MAX. RISE OF INITIAL VALUE AFTER TEST.  
 OPERATING TEMPERATURE\*: -40 °C TO +125 °C.  
 INSERTION FORCE : 1 N MAX./CONTACT.  
 WITHDRAWAL FORCE : 0,2 N MIN./CONTACT.

\*DEPENDING ON THE CABLE, THE MAX. TEMPERATURE CAN BE LOWER.  
 FOR STANDARD PVC INSULATED CABLE : 105 °C MAX.

**CONSTRUCTION**

BODY MATERIAL : GLASS-REINFORCED THERMOPLASTIC (UL94V-0).  
 COVER MATERIAL : Ni PLATED ABS MATERIAL.  
 CONTACT MATERIAL : PHOSPHOR BRONZE.  
 CONTACT FINISH : Au OVER Ni IN CONTACT AREA  
 SnPb ON I.D.C. TERMINAL FOR LEADED PRODUCTS.  
 Sn (MATTE TIN) ON I.D.C. TERMINAL FOR LEAD FREE PRODUCTS.

Z0 : PERFORMANCE LEVEL PER DIN41612 CLASS 3  
 Z1 : PERFORMANCE LEVEL PER DIN41612 CLASS 2  
 E9 : PERFORMANCE LEVEL PER DIN41612 CLASS 1  
 OTHERS : CONSULT FCI

TIE-WRAP : OPTIONAL (PART N°. TF4)

**PART NUMBERS**

BPS8B96ACD0M0---- CONNECTOR FOR WIRE SIZE AWG28, AWG30.  
 (CONTACT IDENTIFICATION : 0).  
 BPS8B96ACD2M0---- CONNECTOR FOR WIRE SIZE AWG24, AWG26  
 (CONTACT IDENTIFICATION : 2).

**AWG WIRE SIZE MARKING**

BPS8B96ACD0M0-- : 28/30.  
 BPS8B96ACD0M0--LF : 28/30.  
 BPS8B96ACD2M0-- : 24/26.  
 BPS8B96ACD2M0--LF : 24/26.

**DATECODE MARKING**

A + YEAR & WEEKCODE, EXAMPLE : A9950.

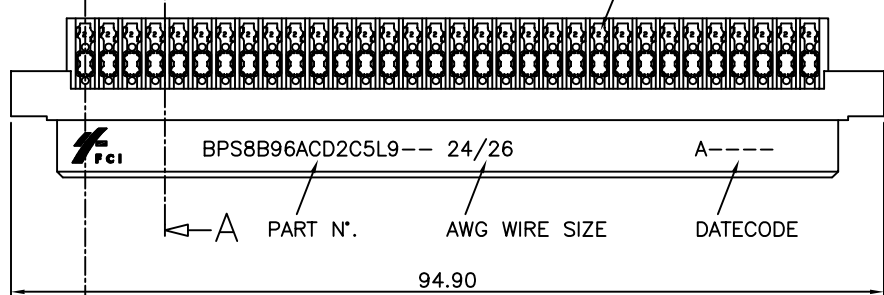
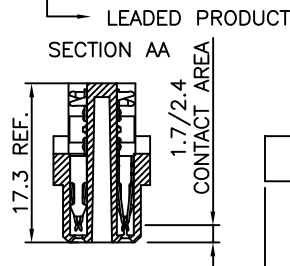
|                     |          |                                       |            |                               |  |            |  |                               |  |
|---------------------|----------|---------------------------------------|------------|-------------------------------|--|------------|--|-------------------------------|--|
| mat'l. code         |          | surface                               |            | tolerance                     |  | projection |  | product family                |  |
| SEE NOTE            |          | ISO 1302                              |            | ISO 406 ISO 1101              |  | mm         |  | BPS8                          |  |
| litr ecn no dr date |          | tolerances unless otherwise specified |            | angles linear                 |  | mm         |  | title                         |  |
| A                   | F00819   | DLE                                   | 2000-10-23 | 0.1±0.2                       |  | mm         |  | ASSY BPS8                     |  |
| B                   | I05-0123 | MINI                                  | 2005-07-27 | 0.01±0.1                      |  | mm         |  | 96 POS. A,C LOADED            |  |
| C                   | I06-0067 | MINI                                  | 2006-06-01 | ±1'                           |  | scale -    |  | dwg no sheet 5 of 6 size      |  |
| sheet index         |          | revision sheet                        |            | dr D.LEGRAND 2000-10-23       |  | FCI        |  | 55359 A3                      |  |
|                     |          |                                       |            | enr J.F.NOTTEAU 2000-10-23    |  |            |  | type Product Customer Drawing |  |
|                     |          |                                       |            | chr RAKHEE GEORGE 2006-06-01  |  |            |  |                               |  |
|                     |          |                                       |            | appd RAKHEE GEORGE 2006-06-01 |  |            |  |                               |  |

PRODUCT NUMBER BPS8B96ACD2C5L9

PRODUCT NUMBER BPS8B96ACD2C5L9LF

LEAD FREE OR  
RoHS  
COMPATIBLE  
PRODUCT

CONTACT IDENTIFICATION



NOTES:-

1. THE "LF" PRODUCTS MEET EUROPEAN UNION DIRECTIVES AND OTHER COUNTRY REGULATIONS AS DESCRIBED IN GS-22-008
2. LEAD FREE OR RoHS DIRECTIVE LABELING TO BE PROVIDED AS PER GS-14-920 FOR RoHS COMPATIBLE VERSION.

PERFORMANCES CHARACTERISTICS

VOLTAGE RATING : 250 VAC (rms)  
 CURRENT RATING : 1,5 A AT 25 °C, 1 A AT 70 °C.  
 INSULATION RESISTANCE : 1000MΩINITIAL, 100MΩMIN. AFTER TEST  
 DIELECTRIC WITH-  
 STANDING VOLTAGE : 1000 VAC (rms).  
 CONTACT RESISTANCE : 15mΩMAX. INITIAL, 5mΩMAX. RISE  
 OF INITIAL VALUE AFTER TEST.  
 OPERATING TEMPERATURE\*: -40 °C TO +125 °C.  
 INSERTION FORCE : 1 N MAX./CONTACT.  
 WITHDRAWAL FORCE : 0,2 N MIN./CONTACT.

\*DEPENDING ON THE CABLE, THE MAX. TEMPERATURE CAN BE LOWER.  
 FOR STANDARD PVC INSULATED CABLE : 105 °C MAX.

CONSTRUCTION

BODY MATERIAL : GLASS-REINFORCED THERMOPLASTIC (UL94V-0).  
 COVER MATERIAL : POLYPHENYLENE (PPO), COLOUR : BLACK.  
 CONTACT MATERIAL : PHOSPHOR BRONZE.  
 CONTACT FINISH : 1.25 μm Au MIN. OVER 2 μm Ni MIN. IN CONTACT AREA  
 SnPb ON I.D.C. TERMINAL FOR LEADED PRODUCTS  
 Sn (MATTE TIN) ON I.D.C. TERMINAL FOR LEAD FREE PRODUCTS

CABLE : AWG24 & AWG26 (CONTACT IDENTIFICATION = 2).  
 TIE-WRAP : OPTIONAL (PART N°. TF4)

PART NUMBERS

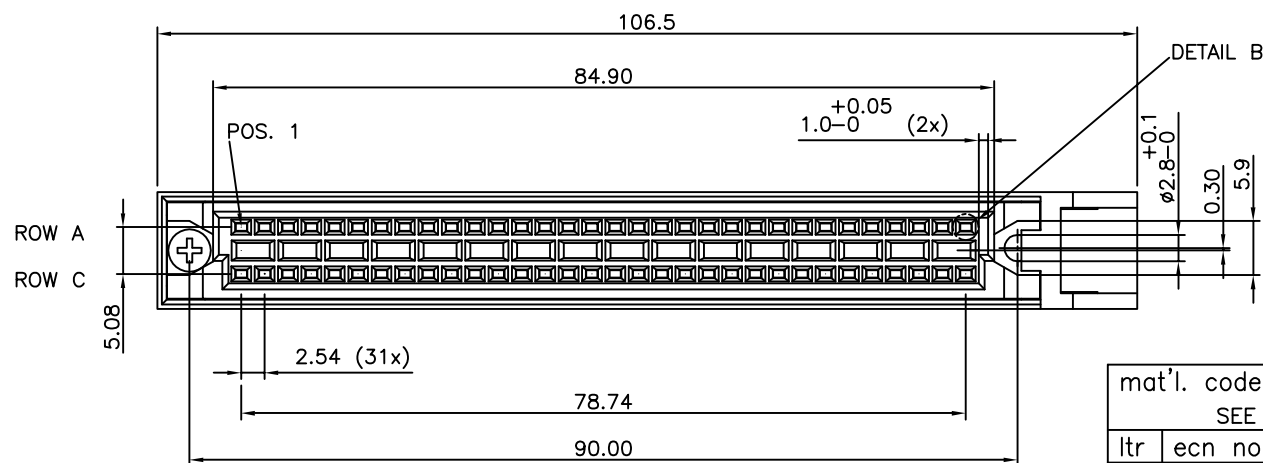
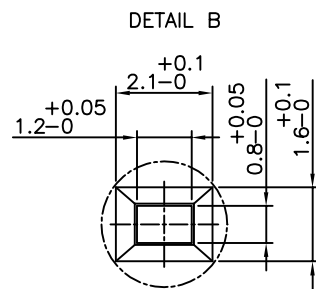
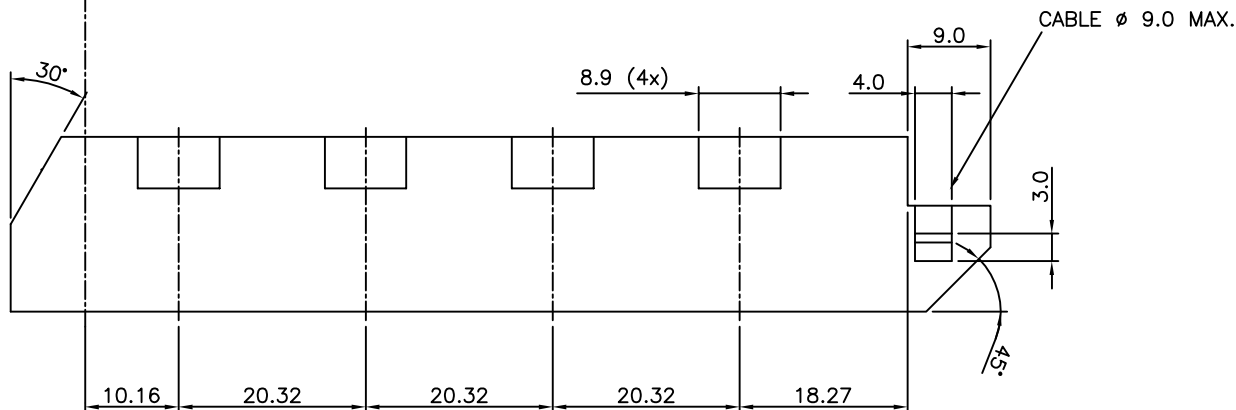
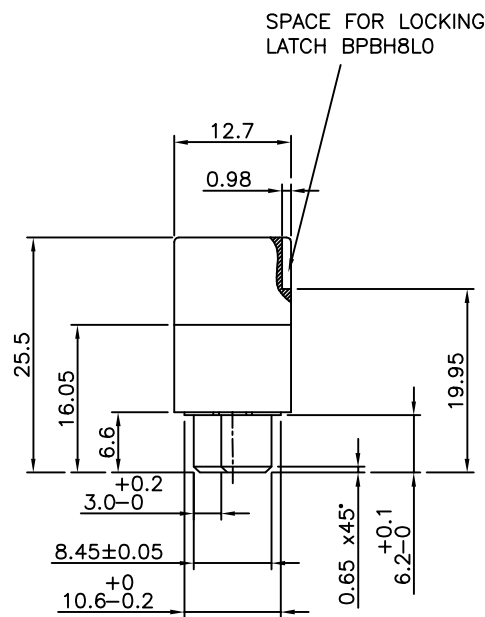
BPS8B96ACD2C5L9-- CONNECTOR FOR WIRE SIZE AWG24, AWG26  
 (CONTACT IDENTIFICATION : 2).

AWG WIRE SIZE MARKING

BPS8B96ACD2C5L9 : 24/26  
 BPS8B96ACD2C5L9LF : 24/26

DATECODE MARKING

A + YEAR & WEEKCODE, EXAMPLE : A9950.



|             |  |               |  |                          |  |            |  |                    |  |
|-------------|--|---------------|--|--------------------------|--|------------|--|--------------------|--|
| mat'l. code |  | surface       |  | tolerance                |  | projection |  | product family     |  |
| SEE NOTE    |  | ISO 1302      |  | ISO 406 ISO 1101         |  | mm         |  | BPS8               |  |
| litr        |  | ecn no        |  | dr                       |  | date       |  | title              |  |
| A           |  | F00819        |  | DLE                      |  | 2000-10-23 |  | ASSY BPS8          |  |
| B           |  | 105-0123      |  | MINI                     |  | 2005-07-27 |  | 96 POS. A,C LOADED |  |
| C           |  | 106-0067      |  | MINI                     |  | 2006-06-01 |  | scale -            |  |
| dr          |  | D.LEGRAND     |  | 2000-10-23               |  | engr       |  | J.F.NOTTEAU        |  |
| chr         |  | RAKHEE GEORGE |  | 2006-06-01               |  | appd       |  | RAKHEE GEORGE      |  |
| 2006-06-01  |  | sheet index   |  | revision sheet           |  | dwg no     |  | sheet 6 of 6       |  |
| 55359       |  | type          |  | Product Customer Drawing |  | size       |  | A3                 |  |



Copyright FCI

# Mouser Electronics

Authorized Distributor

Click to View Pricing, Inventory, Delivery & Lifecycle Information:

## [FCI / Amphenol:](#)

[BPS8B96ACD200L9LF](#) [BPS8B96ACD000Z1LF](#) [BPS8B96ACD200E9LF](#) [BPS8B96ACD2C0L9LF](#)  
[BPS8B96ACD2C0Z0LF](#) [BPS8B96ACD2C0Z1LF](#) [BPS8B96A0D200Z1LF](#) [BPS8B96ACD000L9LF](#)  
[BPS8B96ACD0C0Z0LF](#) [BPS8B96ACD0C0Z1LF](#) [BPS8B96ACD200Z0LF](#) [BPS8B96ACD200Z1LF](#)  
[BPS8B96ACD2C0E9](#) [BPS8B96ACD2C5L9LF](#) [BPS8B96ACD2C0E9LF](#) [BPS8B96ACD000E9LF](#)