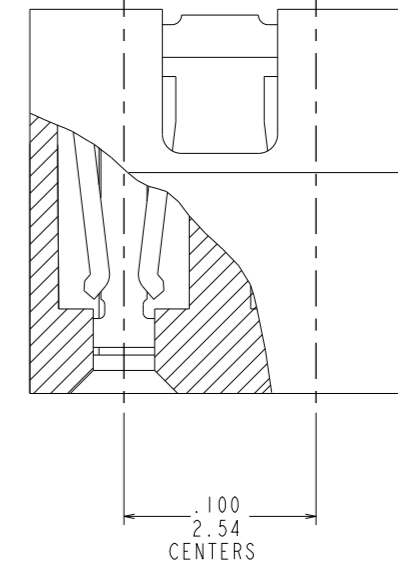
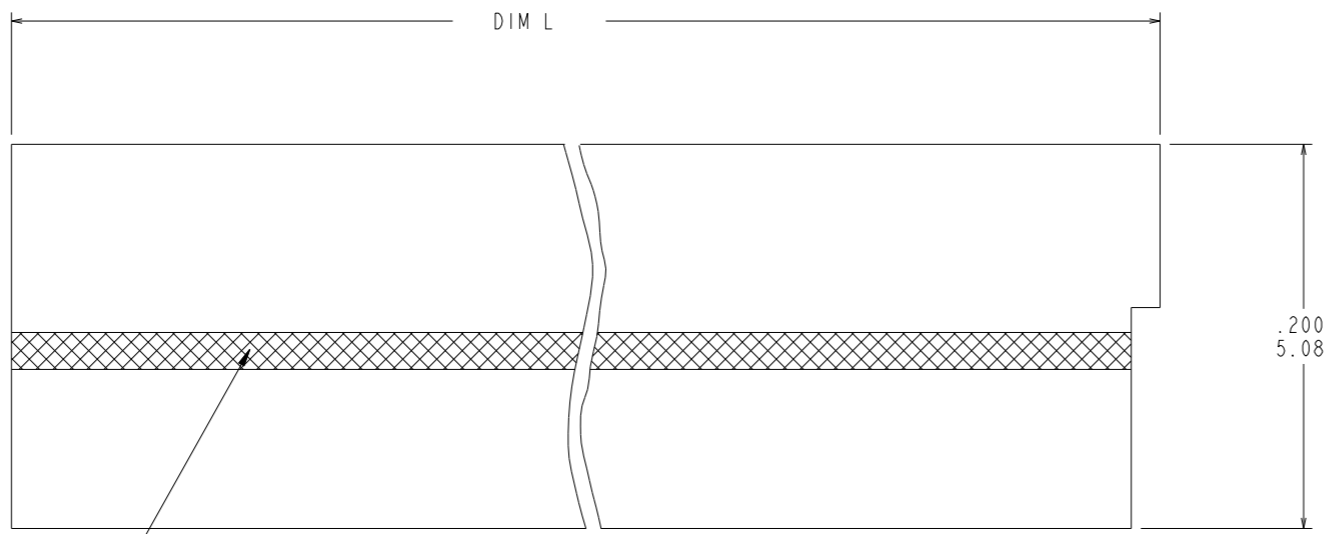
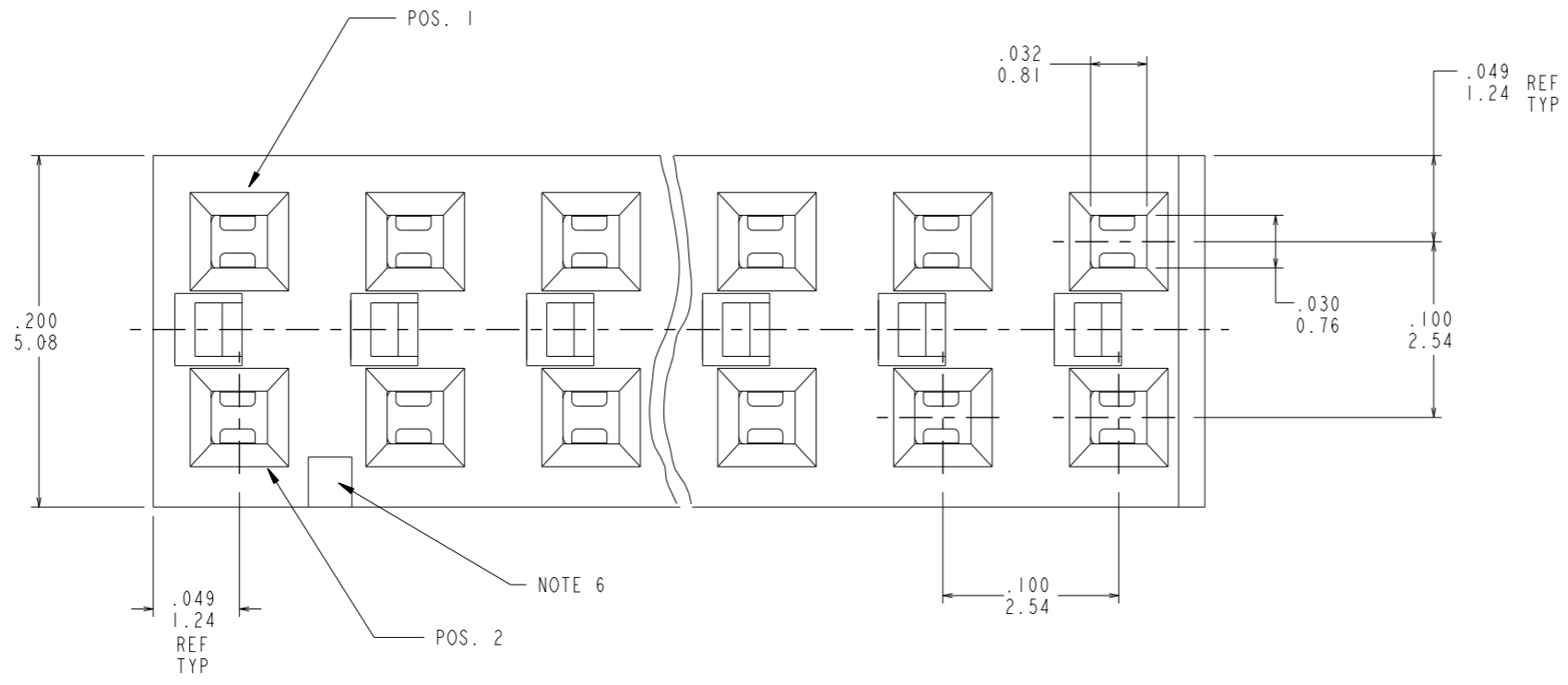


A



B



C

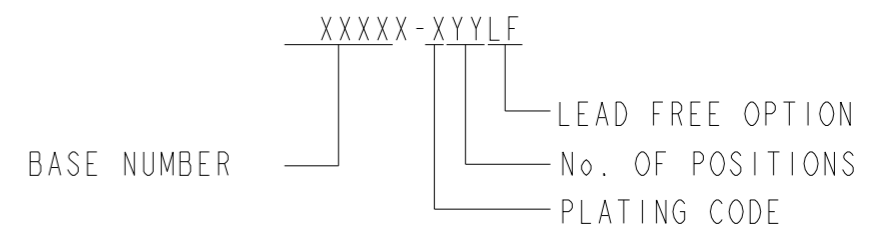
D



Copyright FCI.

spec ref	dr	Yong Huang	2010/10/25	projection	INCH / MM	size	A3	scale	DRAWING SCALE		
tolerance std	eng	Zheng-Kun Hu	2014/09/19			ecn no	ELX-N-18464-1				
TOLERANCES UNLESS OTHERWISE SPECIFIED							product family	rel level	Released		
surface ✓	linear	0.X	±0.5		D.R. MULTI POSITION PROFILE JUMPER ASS'Y	dwg no	69145				
		0.XX	±0.3				www.fci.com	cat. no.	Product - Customer Drw	sheet 1 of 2	rev S
		0.XXX	±0.13								
angular	0°	±°									

PRODUCT No.	NO. OF POS.	DIM L	DESC PRODUCT NUMBER ON -8XX SERIES ONLY	SELECT LOADING	LEAD FREE OPTION
69145-X04	2 X 2	.1980/5.029	WWWWW-04	NO	NOTE 5
-X06	2 X 3	.2980/7.569	WWWWW-06	NO	
-X08	2 X 4	.3980/10.109	WWWWW-08	NO	
-X10	2 X 5	.4980/12.649	WWWWW-10	NO	
-X12	2 X 6	.5980/15.189	WWWWW-12	NO	
-X14	2 X 7	.6980/17.729	WWWWW-14	NO	
-X16	2 X 8	.7980/20.269	WWWWW-16	NO	
-X18	2 X 9	.8980/22.809	WWWWW-18	YES	
69145-X20	2 X 10	.9980/25.349	WWWWW-20	NO	1-2 9-10 17-18 ONLY FOR 69145-518

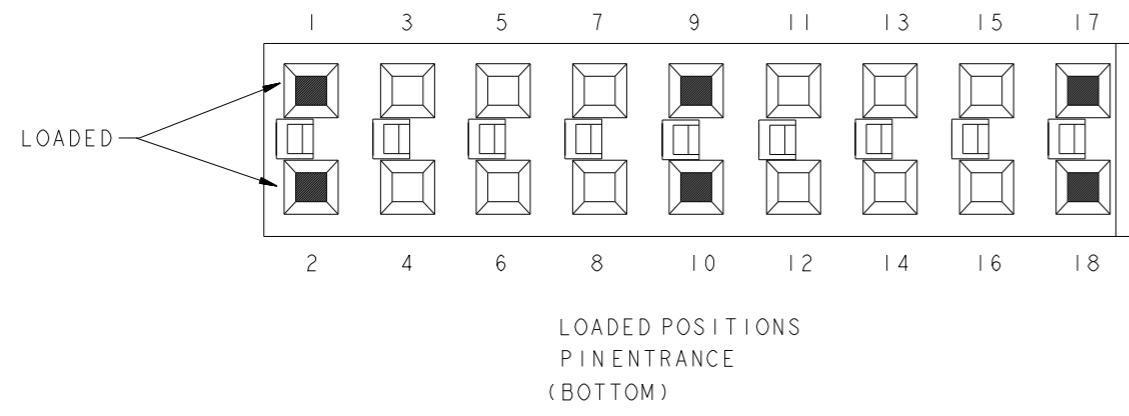


PLATINGS;

- 1XX 15u"/.38u Au or GXT CONTACT AREA
- 2XX 30u"/.76u Au or GXT CONTACT AREA
- 3XXLF 100u"/2.54u Sn CONTACT AREA
- 4XX-Au-FLASH-OVER-50u"-Ni-CONTACT-AREA----- OBSOLETE

NOTES:

- MATERIAL: POLYESTER. FLAME RETARDANT PER UL-94-V0. COLOR - BLACK
- RECOMMENDED APPLICATION DATA:
 - A. ALL MATING PINS TO BE .025/.64 SQ. ON TRUE CENTER OF GIVEN TERMINAL SPACING WITHIN .015/.38 DIA.
 - B. SUGGESTED MATING PIN LENGTH .160/4.06 MIN.
- 69145-518 SELECT LOADED WITH 30u"/.76u GOLD CONTACTS.
- .005/0.13 RECESS PERMISSABLE AT THIS LOCATION FOR ASSEMBLY PROCESSING.
- ADD "LF" SUFFIX AT THE END OF PART NUMBER FOR LEAD FREE OPTION.
- THIS PRODUCT MEETS EUROPEAN UNION DIRECTIVES AND OTHER COUNTRY REGULATION AS DESCRIBED IN GS-22-008.
- THIS PRODUCT IS NOT INTENDED TO BE EXPOSED TO A MANUFACTURING SOLDER PROCESS.
- PRODUCT SPECIFICATION: BUS-12-071.



Copyright FCI.

spec ref	dr	Yong Huang	2010/10/25	projection	INCH/MM	size	A3	scale	DRAWING SCALE	
tolerance std	eng	Zheng-Kun Hu	2014/09/19			ecn no	ELX-N-18464-1			
TOLERANCES UNLESS OTHERWISE SPECIFIED surface ✓	chr	-	-			product family	rel level	Released		
	appr	Feagle Pan	2014/09/24		D.R.MULTI POSITION PROFILE JUMPER ASS'Y	dwg no	69145		rev	S
	linear	0.X	±0.5			www.fci.com	cat. no.	Product - Customer Drw		sheet 2 of 2
angular	0°	±°								

Mouser Electronics

Authorized Distributor

Click to View Pricing, Inventory, Delivery & Lifecycle Information:

[FCI / Amphenol:](#)

[69145-104](#) [69145-316](#) [69145-306LF](#) [69145-220LF](#) [69145-108](#) [69145-110](#) [69145-114](#) [69145-116](#) [69145-120](#)
[69145-218](#) [69145-304](#) [69145-308](#) [69145-310](#) [69145-312](#) [69145-314](#) [69145-318](#) [69145-320](#) [69145-518](#) [69145-212](#)
[69145-208](#) [69145-210](#) [69145-302LF](#) [69145-210LF](#) [69145-212LF](#) [69145-208LF](#) [69145-214LF](#) [69145-206LF](#)
[69145-204LF](#) [69145-216LF](#) [69145-106LF](#) [69145-104LF](#) [69145-108LF](#) [69145-110LF](#) [69145-114LF](#) [69145-116LF](#)
[69145-120LF](#) [69145-218LF](#) [69145-304LF](#) [69145-308LF](#) [69145-310LF](#) [69145-312LF](#) [69145-314LF](#) [69145-316LF](#)
[69145-318LF](#) [69145-320LF](#) [69145-518LF](#) [69145-220](#) [69145-206](#) [69145-216](#) [69145-204](#) [69145-106](#) [69145-214](#)
[69145-102LF](#) [69145-112](#) [69145-112LF](#) [69145-306](#) [69145-118](#)