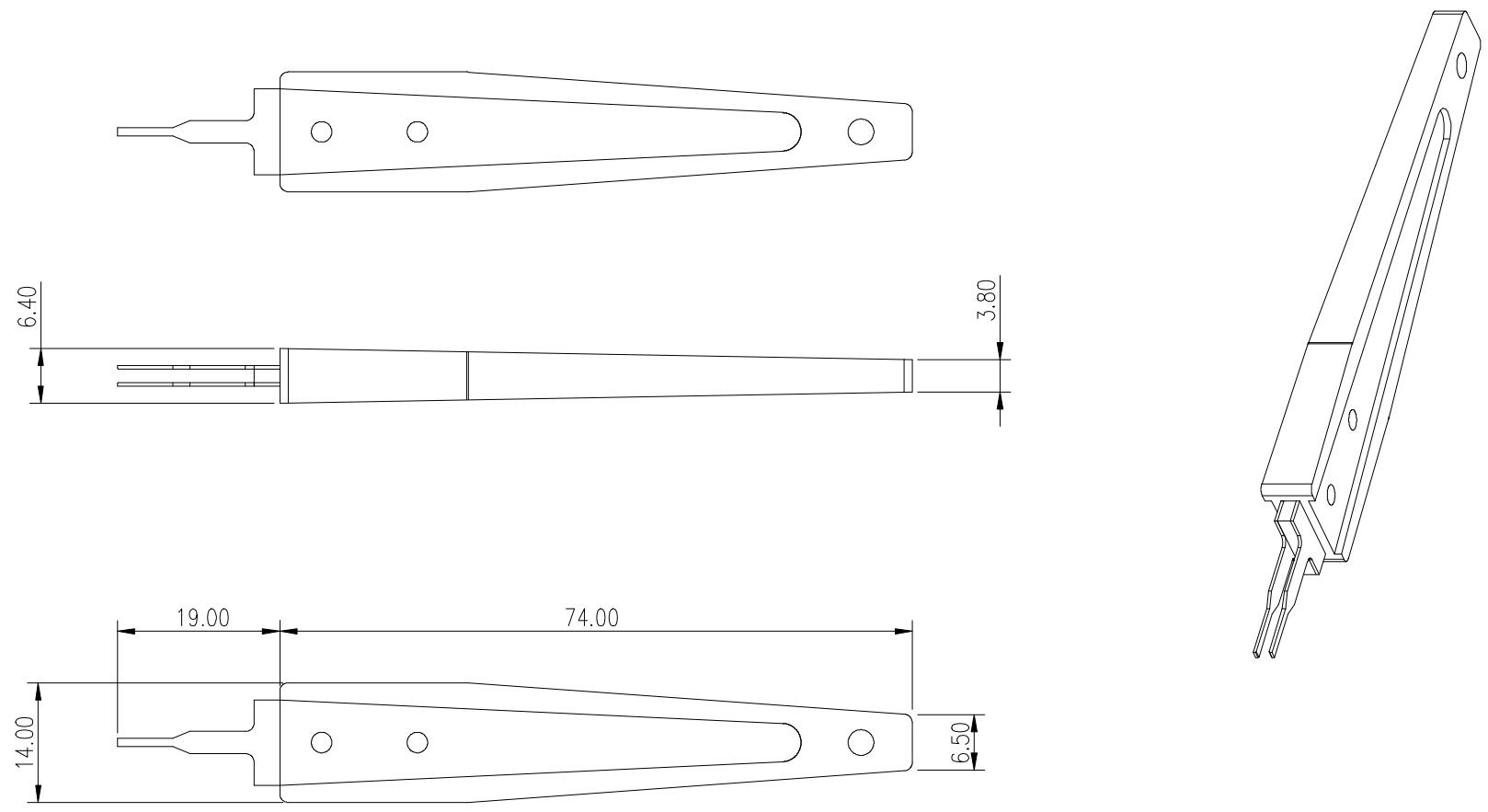


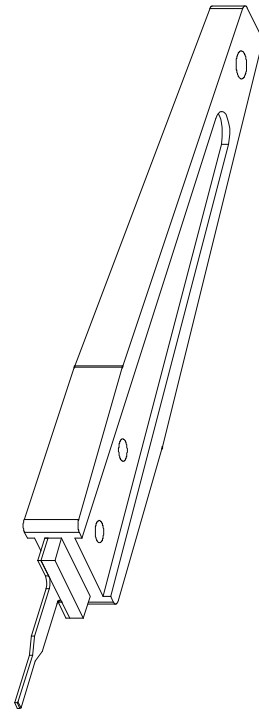
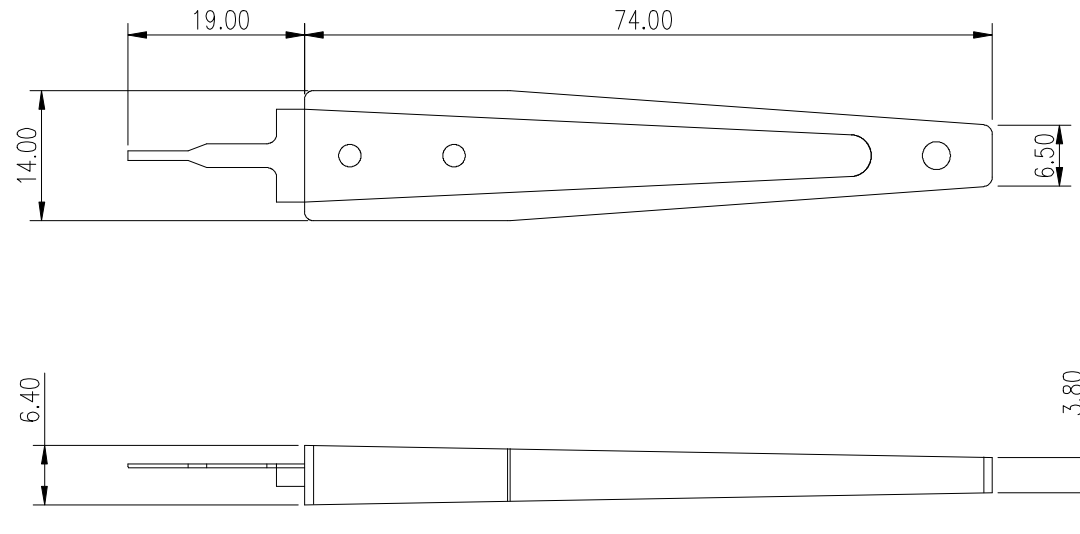
PRODUCT NUMBER	APPLICABLE P/N	APPLICABLE TERMINAL
10129274-042LF	10127817, 10127818	MINITEK PWR4.2



NOTE:
1. MATERIAL:
HANDLE: HIGH TEMP. THERMOPLASTIC, UL94V-0, BLACK
TINES: STEEL

mat'l. code		surface <input checked="" type="checkbox"/>		tolerance		projection		product family	
itr		ecn no		dr		date		MINITEK PWR4.2 & 3.0	
A		TAI		2014-04-23		tolerances unless otherwise specified		title	
						X.XX ±0.15		TERMINAL REMOVAL TOOL	
						angles		scale	
						X*±1°		MM	
						dr		KENNY TAI 2014-03-03	
						enr		KENNY TAI 2014-03-03	
						chr		KENNY TAI 2014-03-03	
						appd		PM ZHENG 2014-04-23	
sheet index		revision sheet		A 1		A 2		FCI	
								dwg no 10129274	
								sheet 1 of 2 size A4	
								type CUSTOMER Drawing	

PRODUCT NUMBER	APPLICABLE P/N	APPLICABLE TERMINAL
10129274-030LF	10127718, 10127719	MINITEK PWR3.0



NOTE:
1. MATERIAL:
HANDLE: HIGH TEMP. THERMOPLASTIC, UL94V-0, BLACK
TINES: STEEL

mat'l. code		surface <input checked="" type="checkbox"/>		tolerance		projection		product family	
itr		ecn no		dr		date		MINITEK PWR4.2 & 3.0	
								title	
								TERMINAL REMOVAL TOOL	
								scale	
								dwg no	
								sheet 2 of 2	
								size	
								A4	
								type	
								CUSTOMER Drawing	
sheet index		revision sheet		A 1		A 2			



Mouser Electronics

Authorized Distributor

Click to View Pricing, Inventory, Delivery & Lifecycle Information:

[FCI / Amphenol:](#)

[10129274-042LF](#) [10129274-030LF](#)