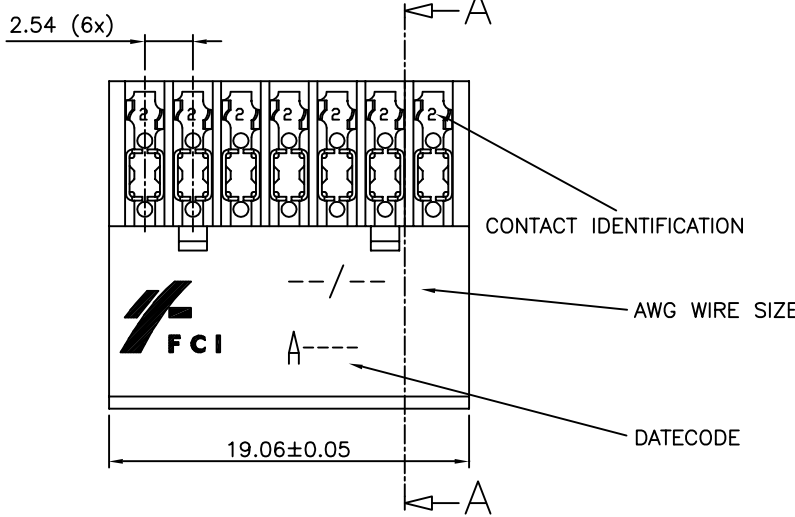
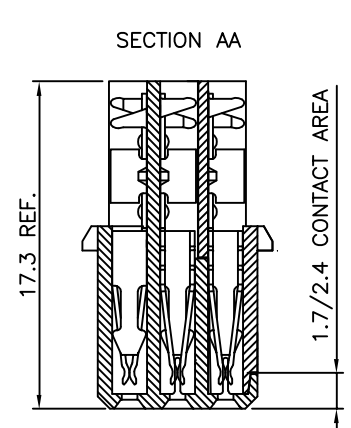




FCIconnect.com

Copyright FCI



PRODUCT NUMBER BPS8B21FLD-C0--LF

WITH "LF" SUFFIX LEAD FREE OR RoHS COMPATIBLE PRODUCT

WIRE ACCOMODATION			CONTACT PLATING	
PRODUCT NUMBER	WIRE SIZE	CONTACT IDENTIFICATION	PLATING CODE	PERFORMANCE LEVEL PER DIN41612
BPS8B21FLD0C0--LF	AWG28/30	0	Z0	CLASS 3
BPS8B21FLD2C0--LF	AWG24/26	2	Z1	CLASS 2
			E9	CLASS 1

NOTES:-

1. THE "LF" PRODUCTS MEET EUROPEAN UNION DIRECTIVES AND OTHER COUNTRY REGULATIONS AS DESCRIBED IN GS-22-008
2. LEAD FREE OR RoHS DIRECTIVE LABELING TO BE PROVIDED AS PER GS-14-920 FOR RoHS COMPATIBLE VERSION.

PERFORMANCES CHARACTERISTICS

VOLTAGE RATING : 250 VAC (rms)

CURRENT RATING : 1,5 A AT 25 °C, 1 A AT 70 °C.

INSULATION RESISTANCE : 1000MΩINITIAL, 100MΩMIN. AFTER TEST

DIELECTRIC WITH-

STANDING VOLTAGE : 1000 VAC (rms).

CONTACT RESISTANCE : 15mΩMAX. INITIAL, 5mΩMAX. RISE OF INITIAL VALUE AFTER TEST.

OPERATING TEMPERATURE\*: -40 °C TO +125 °C.

INSERTION FORCE : 1 N MAX./CONTACT.

WITHDRAWAL FORCE : 0,2 N MIN./CONTACT.

\*DEPENDING ON THE CABLE, THE MAX. TEMPERATURE CAN BE LOWER. FOR STANDARD PVC INSULATED CABLE : 105 °C MAX.

CONSTRUCTION

BODY MATERIAL : GLASS-REINFORCED THERMOPLASTIC (UL94V-0).

COVER MATERIAL : POLYESTER (PBTP), COLOUR : BLACK.

CONTACT MATERIAL : PHOSPHOR BRONZE.

CONTACT FINISH : Au OVER Ni IN CONTACT AREA  
Sn (MATT TIN) ON I.D.C. TERMINAL

Z0 : PERFORMANCE LEVEL PER DIN41612 CLASS 3  
Z1 : PERFORMANCE LEVEL PER DIN41612 CLASS 2  
E9 : PERFORMANCE LEVEL PER DIN41612 CLASS 1  
OTHERS : CONSULT FCI

TIE-WRAP : OPTIONAL PART N°. TF3.

PART NUMBERS

BPS8B21FLD0C0--LF CONNECTOR FOR WIRE SIZE AWG28, AWG30.  
(CONTACT IDENTIFICATION : 0).

BPS8B21FLD2C0--LF CONNECTOR FOR WIRE SIZE AWG24, AWG26  
(CONTACT IDENTIFICATION : 2).

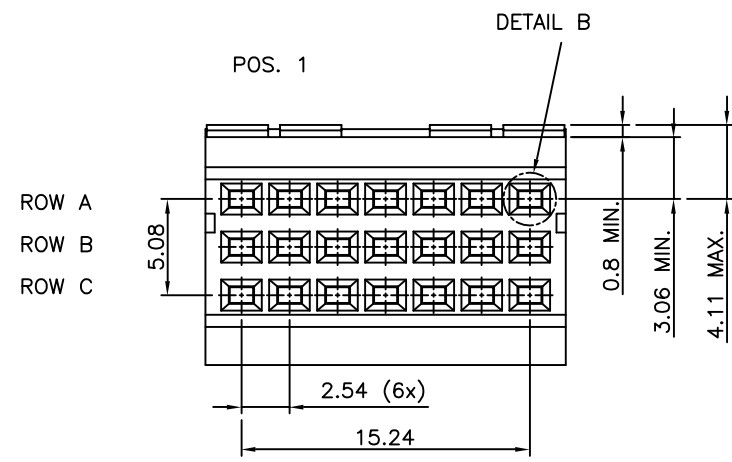
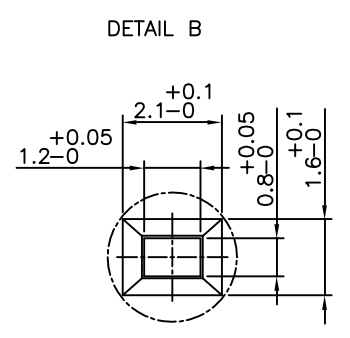
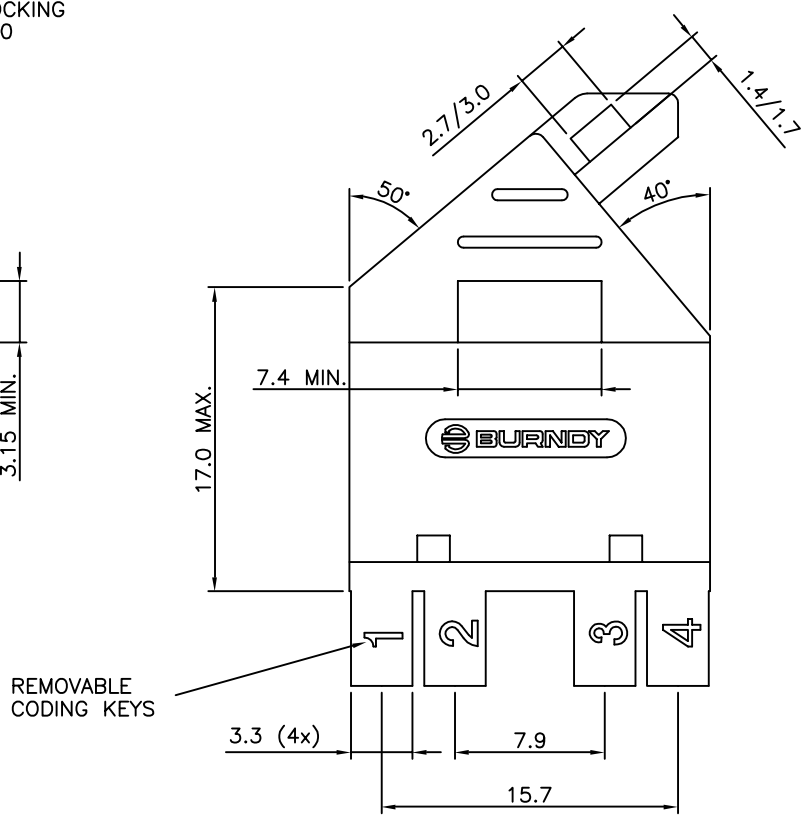
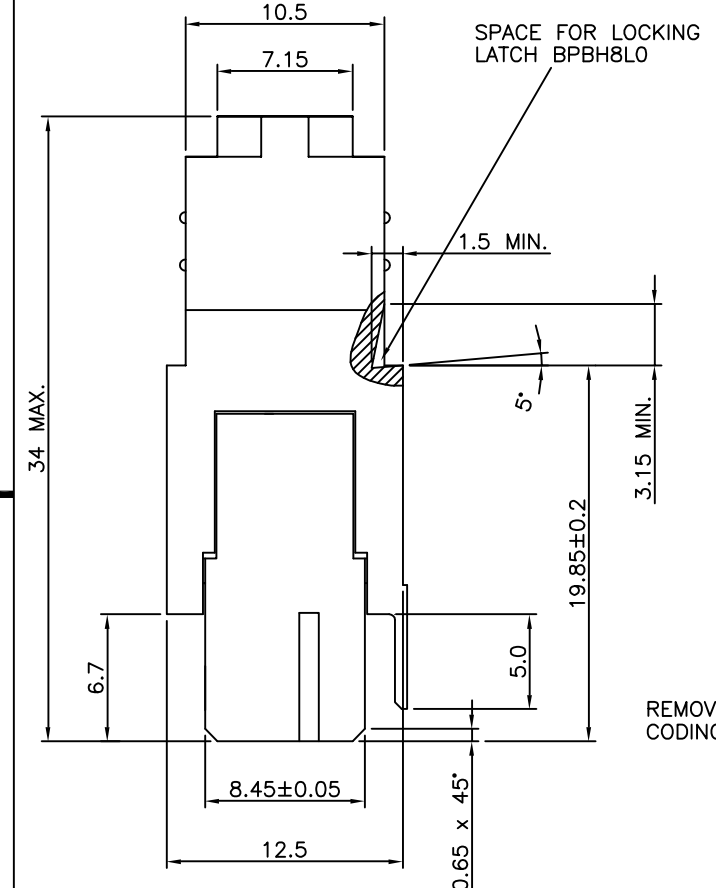
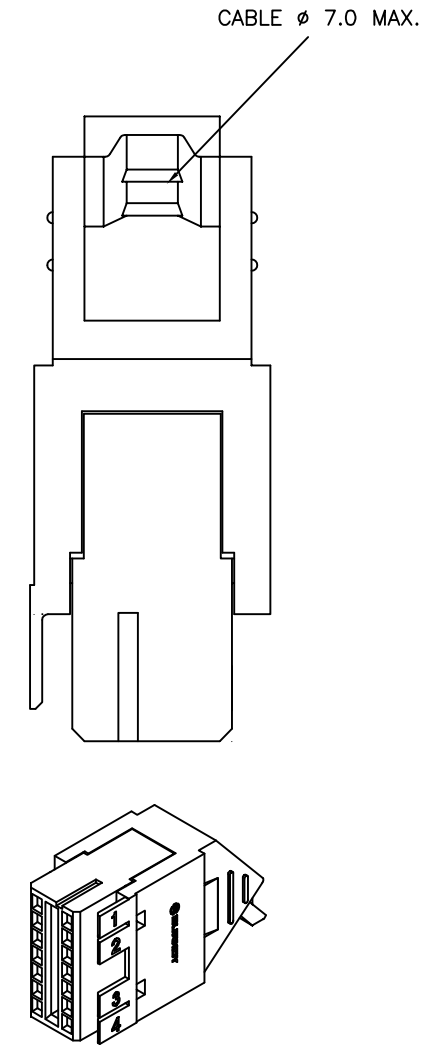
AWG WIRE SIZE MARKING

BPS8B21FLD0C0--LF : 28/30.

BPS8B21FLD2C0--LF : 24/26.

DATECODE MARKING

A + YEAR & WEEKCODE, EXAMPLE : A9950.



mat'l. code		surface		tolerance		projection		product family	
SEE NOTE		ISO 1302 ✓		ISO 406 ISO 1101				BPS8	
ltr		ecn no		dr		date		title	
A		F00819		DLE		2000-10-23		ASSY BPS8	
B		105-0123		MINI		2005-07-27		21 POS. A,B,C LOADED	
C		106-0067		MINI		2006-06-01			
D		107-0081		KR		2007-06-28			
sheet index		revision		D		D		dwg no	
sheet		1 2 3		1 2 3				sheet 1 of 3	
								55355	
								A3	
								type Product Customer Drawing	

PRODUCT NUMBER BPS8B21FLD-00--LF

WITH "LF" SUFFIX LEAD FREE OR RoHS COMPATIBLE PRODUCT

**NOTES:-**  
 1. THE "LF" PRODUCTS MEET EUROPEAN UNION DIRECTIVES AND OTHER COUNTRY REGULATIONS AS DESCRIBED IN GS-22-008  
 2. LEAD FREE OR RoHS DIRECTIVE LABELING TO BE PROVIDED AS PER GS-14-920 FOR RoHS COMPATIBLE VERSION.

**WIRE ACCOMODATION**

PRODUCT NUMBER	WIRE SIZE	CONTACT IDENTIFICATION
BPS8B21FLD000--LF	AWG28/30	0
BPS8B21FLD200--LF	AWG24/26	2

**CONTACT PLATING**

PLATING CODE	PERFORMANCE LEVEL PER DIN41612
Z0	CLASS 3
Z1	CLASS 2
E9	CLASS 1

**PERFORMANCES CHARACTERISTICS**

VOLTAGE RATING : 250 VAC (rms)  
 CURRENT RATING : 1,5 A AT 25 °C, 1 A AT 70 °C.  
 INSULATION RESISTANCE : 1000MΩINITIAL, 100MΩMIN. AFTER TEST  
 DIELECTRIC WITH-  
 STANDING VOLTAGE : 1000 VAC (rms).  
 CONTACT RESISTANCE : 15 mΩMAX. INITIAL, 5mΩMAX. RISE OF INITIAL VALUE AFTER TEST.  
 OPERATING TEMPERATURE\*: -40 °C TO +125 °C.  
 INSERTION FORCE : 1 N MAX./CONTACT.  
 WITHDRAWAL FORCE : 0,2 N MIN./CONTACT.  
 \*DEPENDING ON THE CABLE, THE MAX. TEMPERATURE CAN BE LOWER. FOR STANDARD PVC INSULATED CABLE : 105 °C MAX.

**CONSTRUCTION**

BODY MATERIAL : GLASS-REINFORCED THERMOPLASTIC (UL94V-0).  
 CONTACT MATERIAL : PHOSPHOR BRONZE.  
 CONTACT FINISH : Au OVER Ni IN CONTACT AREA  
 Sn (MATT TIN) ON I.D.C. TERMINAL

Z0 : PERFORMANCE LEVEL PER DIN41612 CLASS 3  
 Z1 : PERFORMANCE LEVEL PER DIN41612 CLASS 2  
 E9 : PERFORMANCE LEVEL PER DIN41612 CLASS 1  
 OTHERS : CONSULT FCI

**PART NUMBERS**

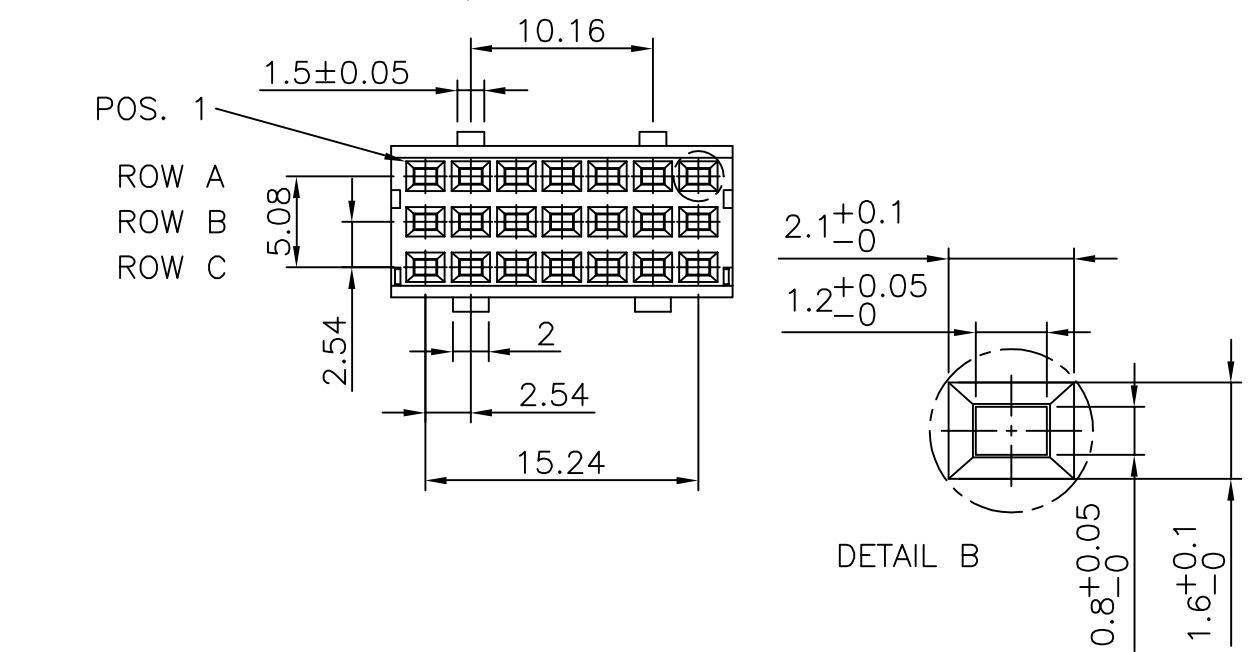
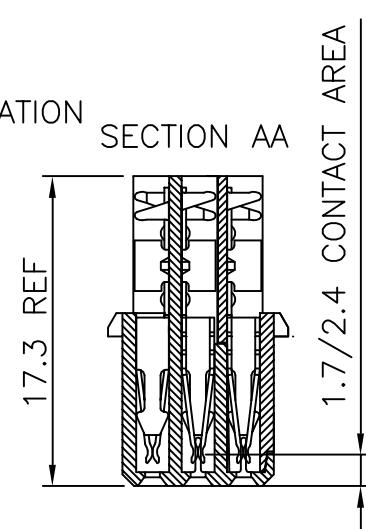
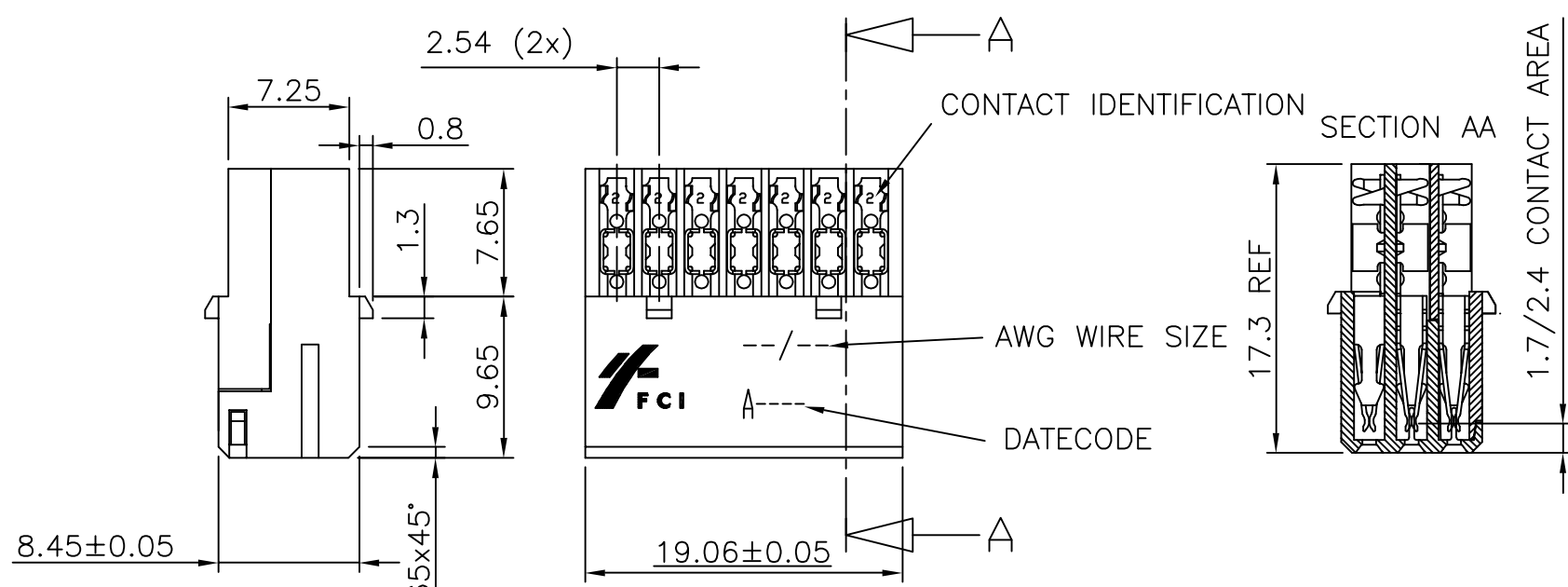
BPS8B21FLD000--LF CONNECTOR FOR WIRE SIZE AWG28, AWG30.  
 (CONTACT IDENTIFICATION : 0).  
 BPS8B21FLD200--LF CONNECTOR FOR WIRE SIZE AWG24, AWG26  
 (CONTACT IDENTIFICATION : 2).

**AWG WIRE SIZE MARKING**

BPS8B21FLD000--LF : 28/30  
 BPS8B21FLD200--LF : 24/26

**DATECODE MARKING**

A + YEAR & WEEKCODE, EXAMPLE : A9950.

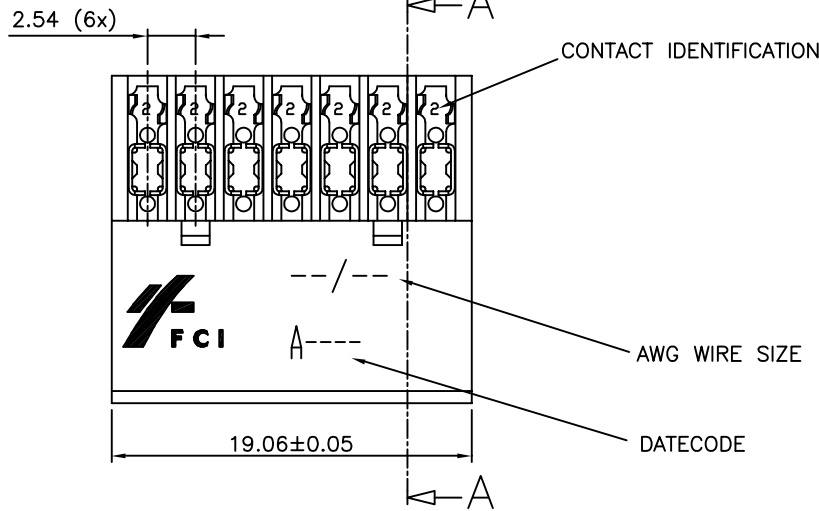
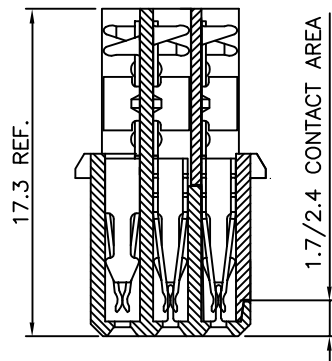


mat'l. code		surface		tolerance		projection		product family	
SEE NOTE		ISO 1302 ✓		ISO 406 ISO 1101		mm		BPS8	
tolerances unless otherwise specified		angles		linear		scale -		title	
A F00819 DLE 2000-10-19		linear		0.1±0.2		mm		ASSY BPS8	
B 105-0123 MINI 2005-07-27		linear		0.01±0.1		mm		21 POS. A,B,C LOADED	
C 106-0067 MINI 2006-06-01		linear		±1°		mm		dwg no	
D 107-0081 KR 2007-06-28		linear		±1°		mm		sheet 2 of 3	
sheet index		revision sheet		dr D.LEGRAND 2000-10-19		FCI		55355	
				enr J.F.NOTTEAU 2000-10-19				A3	
				chr RAKHEE GEORGE 2007-06-28				type	
				appd RAKHEE GEORGE 2007-06-28				Product Customer Drawing	



Copyright FCI

SECTION AA



NOTES:-  
1. THE "LF" PRODUCTS MEET EUROPEAN UNION DIRECTIVES AND OTHER COUNTRY REGULATIONS AS DESCRIBED IN GS-22-008  
2. LEAD FREE OR RoHS DIRECTIVE LABELING TO BE PROVIDED AS PER GS-14-920 FOR RoHS COMPATIBLE VERSION.

PRODUCT NUMBER BPS8B21FLD-MO--LF  
WITH "LF" SUFFIX LEAD FREE OR RoHS COMPATIBLE PRODUCT

WIRE ACCOMODATION		
PRODUCT NUMBER	WIRE SIZE	CONTACT IDENTIFICATION
BPS8B21FLD0M0--LF	AWG28/30	0
BPS8B21FLD2M0--LF	AWG24/26	2

CONTACT PLATING	
PLATING CODE	PERFORMANCE LEVEL PER DIN41612
Z0	CLASS 3
Z1	CLASS 2
E9	CLASS 1

PERFORMANCES CHARACTERISTICS  
 VOLTAGE RATING : 250 VAC (rms)  
 CURRENT RATING : 1,5 A AT 25 °C, 1 A AT 70 °C.  
 INSULATION RESISTANCE : 1000MΩINITIAL, 100MΩMIN. AFTER TEST  
 DIELECTRIC WITHSTANDING VOLTAGE : 1000 VAC (rms).  
 CONTACT RESISTANCE : 15mΩMAX. INITIAL, 5mΩMAX. RISE OF INITIAL VALUE AFTER TEST.  
 OPERATING TEMPERATURE\*: -40 °C TO +125 °C.  
 INSERTION FORCE : 1 N MAX./CONTACT.  
 WITHDRAWAL FORCE : 0,2 N MIN./CONTACT.

\*DEPENDING ON THE CABLE, THE MAX. TEMPERATURE CAN BE LOWER.  
 FOR STANDARD PVC INSULATED CABLE : 105 °C MAX.

CONSTRUCTION  
 BODY MATERIAL : GLASS-REINFORCED THERMOPLASTIC (UL94V-0).  
 COVER MATERIAL : Ni PLATED ABS MATERIAL  
 CONTACT MATERIAL : PHOSPHOR BRONZE.  
 CONTACT FINISH : Au OVER Ni IN CONTACT AREA  
 Sn (MATT TIN) ON I.D.C. TERMINAL

Z0 : PERFORMANCE LEVEL PER DIN41612 CLASS 3  
 Z1 : PERFORMANCE LEVEL PER DIN41612 CLASS 2  
 E9 : PERFORMANCE LEVEL PER DIN41612 CLASS 1  
 OTHERS : CONSULT FCI

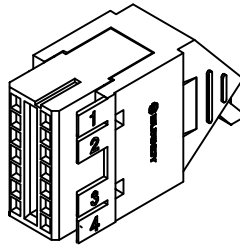
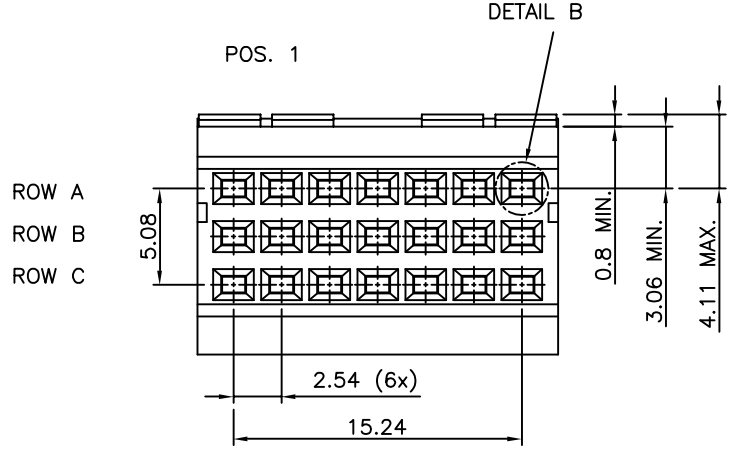
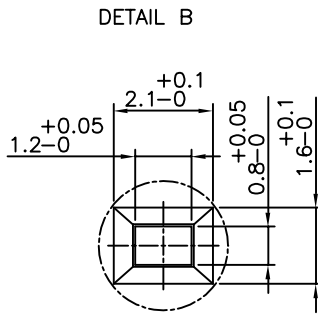
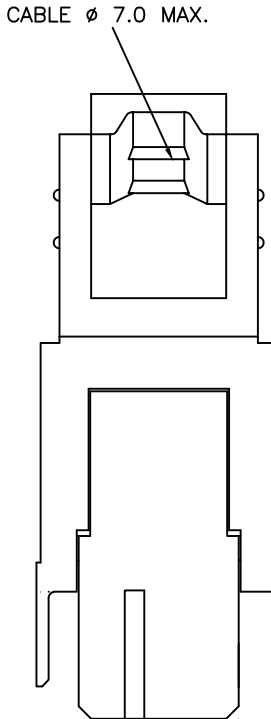
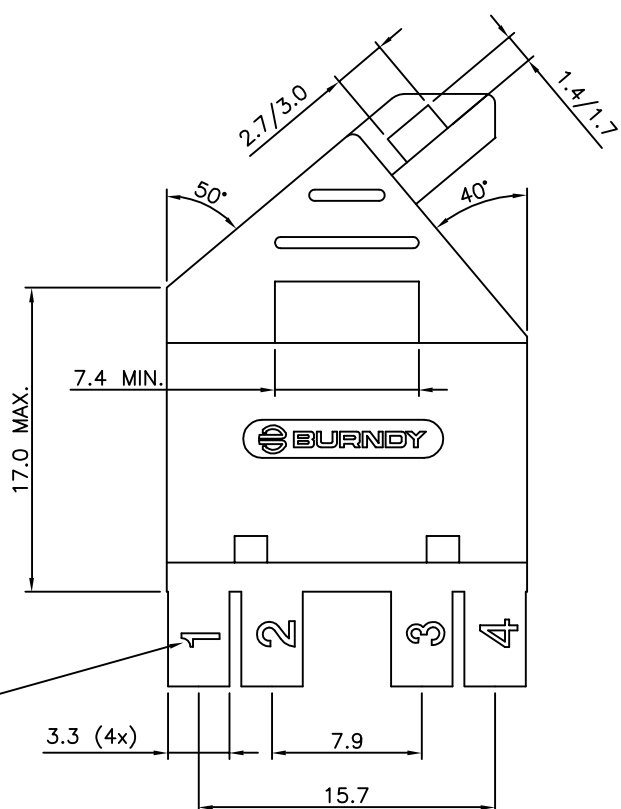
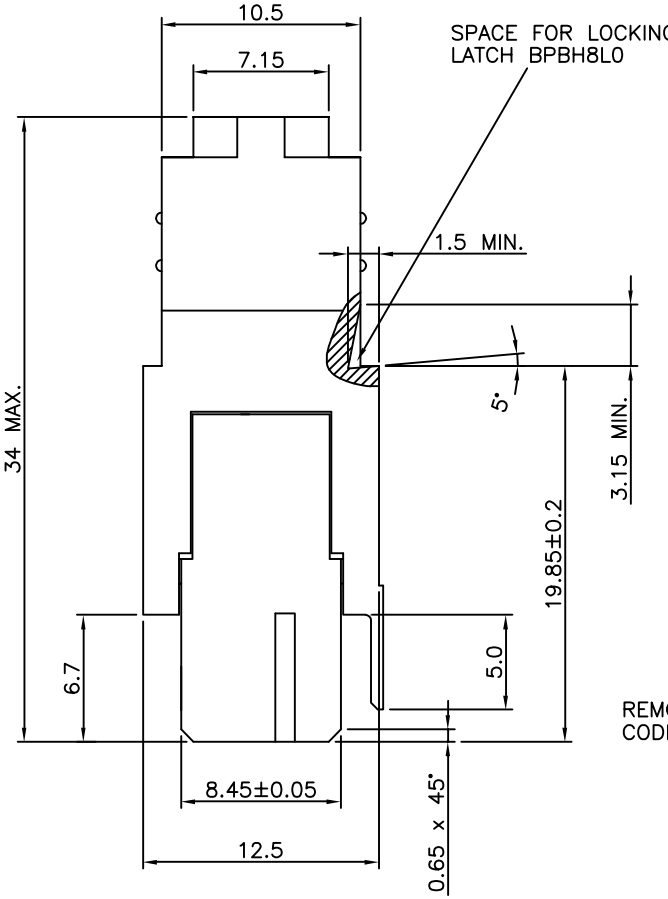
TIE-WRAP : OPTIONAL (PART N°. TF3)  
 PART NUMBERS

BPS8B21FLD0M0--LF CONNECTOR FOR WIRE SIZE AWG28, AWG30.  
 (CONTACT IDENTIFICATION : 0).

BPS8B21FLD2M0--LF CONNECTOR FOR WIRE SIZE AWG24, AWG26  
 (CONTACT IDENTIFICATION : 2).

AWG WIRE SIZE MARKING  
 BPS8B21FLD0M0--LF : 28/30.  
 BPS8B21FLD2M0--LF : 24/26.

DATECODE MARKING  
 A + YEAR & WEEKCODE, EXAMPLE : A9950.



mat'l. code		surface		tolerance		projection		product family	
SEE NOTE		ISO 1302 ✓		ISO 406 ISO 1101		mm		BPS8	
tolerances unless otherwise specified		angles		linear		mm		title	
A F00819 DLE 2000-10-23		±1°		0.1±0.2		mm		ASSY BPS8	
B I05-0123 MINI 2005-07-27		±1'		0.01±0.1		mm		21 POS. A,B,C LOADED	
C I06-0067 MINI 2006-06-01		±1'		0.01±0.1		mm		dwg no	
D I07-0081 KR 2007-06-28		±1'		0.01±0.1		mm		sheet 3 of 3 size	
dr D.LEGRAND 2000-10-23		±1'		0.01±0.1		mm		55355 A3	
enr J.F.NOTTEAU 2000-10-23		±1'		0.01±0.1		mm		type	
chr RAKHEE GEORGE 2007-06-28		±1'		0.01±0.1		mm		Product Customer Drawing	
appd RAKHEE GEORGE 2007-06-28		±1'		0.01±0.1		mm			
sheet index		revision sheet							



Copyright FCI

# Mouser Electronics

Authorized Distributor

Click to View Pricing, Inventory, Delivery & Lifecycle Information:

## [FCI / Amphenol:](#)

[BPS8B21FLD000L9LF](#) [BPS8B21FLD200L9LF](#) [BPS8B21FLD200Z1LF](#) [BPS8B21FLD2C0L9LF](#)  
[BPS8B21FLD2C0Z0LF](#) [BPS8B21FLD2C0Z1LF](#) [BPS8B21FLD0C0E9LF](#) [BPS8B21FLD0C0Z1LF](#)  
[BPS8B21FLD200E9LF](#) [BPS8B21FLD200Z0LF](#) [BPS8B21FLD2C0E9LF](#) [BPS8B21FLD2C0E9](#) [BPS8B21FLD000E9LF](#)