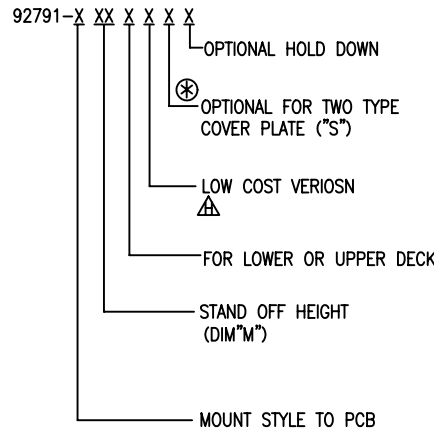


PRODUCT NO.

SEE TABLE

PRODUCT NO.	STAND OFF DIM "M"(mm)	HOLD DOWN
92791-XXXX		
001	0	NONE
001MLF	0	NONE
△ 001LF	0	NONE
001H	0	YES
△ 001HLF	0	YES
011	0	NONE
021	2	NONE
△ 021LF	2	NONE
041	4	NONE
△ 041LF	4	NONE
△ 041H	4	YES
△ 041HLF	4	YES
051	5	NONE
△ 051M	5	NONE
△ 051LF	5	NONE
△ 051H	5	YES
△ 051HLF	5	YES
△ 052 ⊕	5	NONE
053M	5	NONE
△ 022LF	2.2	NONE
△ 022	2.2	NONE
△ 043LF	4.3	NONE
△ 043	4.3	NONE



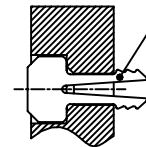
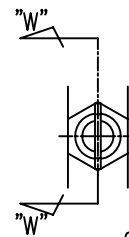
NONE : N O
H : YES(SEE FIGURE OF -XXXH)
NONE "S": 93328-001 (EXCEPT 92791-052)
S (P/N WITH "S"): 72228-003

NONE : N O
M: YES

1 : AVAILABLE FOR BOTH DECKS
NONE : NOT AVAILABLE FOR BOTH DECKS

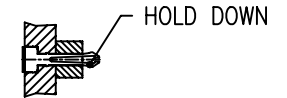
0 : 0mm(NONE)
2 : 2mm 22: 2.2mm
4 : 4mm 43: 4.3mm
5 : 5mm

0 : AVAILABLE FOR BOTH MOUNT



TYP.(2)
HOLD DOWN

92791-xxxH
(OPTIONAL HOLD DOWN)



ONLY FOR 92791-053M

mat'l. code				surface ISO 1302		tolerance ISO 406 ISO 1101		projection MM		product family PCMCIA			
ltr ecn no dr date				tolerances unless otherwise specified				title					
H	N06-0065	MZ	03/22/08	angles linear				68P LONG HEADER TYPE I/II /III GUIDE ASSY					
J	N06-0129	MZ	05/10/06	±2'				scale 4					
K	N07-0109	DT	4/25/07	dr		Mike Zhou		05/10/06		dwg no			
L	N07-0219	MZ	1/7/08	enr		Mike Zhou		05/10/06		sheet 1of 2 size			
M	N08-0219	MZ	11/20/08	chr		Mike Zhou		05/10/06		92791 A 4			
				appd		Qtn David		05/10/06		type CUSTOMER Drawing			
sheet index		revision sheet		M M									
		1 2											

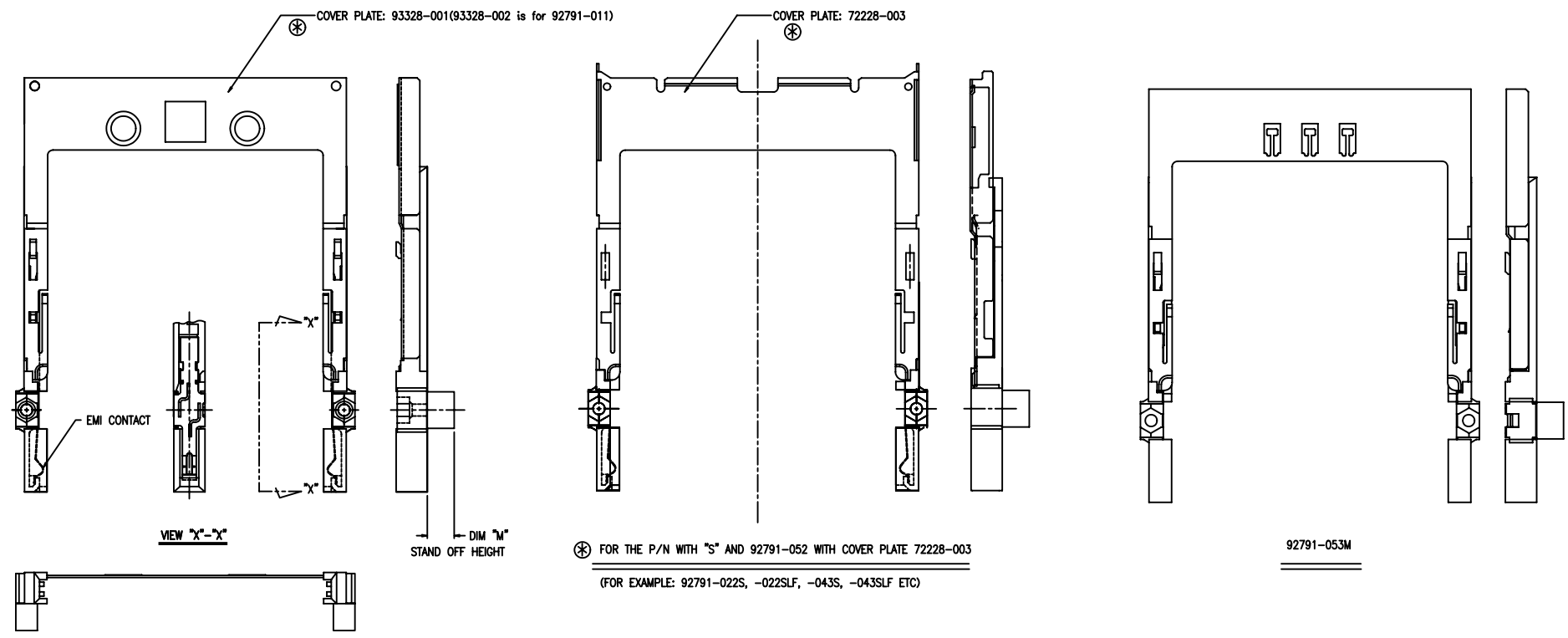
FCI CONFIDENTIAL



FCIconnect.com

This document is the property of and embodies CONFIDENTIAL and PROPRIETARY information of FCI. No part of the information shown on this document may be used in any way or disclosed to others without the written consent of FCI. Copyright FCI.

PRODUCT NO.
92791-001
92791-001LF
92791-001H
92791-001HLF
92791-021
92791-021LF
92791-041
92791-041LF
92791-041H
92791-041HLF
92791-051
92791-051M
92791-051LF
92791-051H
92791-051HLF
92791-052
92791-022LF
92791-043
92791-043LF
92791-011
92791-001M
92791-053M



NOTE

① MATERIAL
 GUIDE : POLYPHTHARAMID UL94V-0 BLACK
 PLATE : STAINLESS
 EMI CONTACT : PHOSPHOR BRONZE
 HOLD DOWN : BRASS

② FINISH
 EMI CONTACT : PRE-PLATING
 0.5µm MIN. Ni OVER ALL UNDER PLATING
 0.5µm MIN. Au CONTACT AREA

⚠ 3 "M" SHOWS IT IS LOW COST VERSION, IT IS OPTIONAL AND IN FIRST OF LETTER OF PART NO., SUCH AS 92791-051M IS LOW COST VERSION
 DETAIL AS COMPONENT INFORMATION, 92791-051 IS NOT LOW COST VERSION.

4. GENERAL TOLERANCE : ±0.3

mat'l. code		surface	tolerance	projection	product family
		ISO 1302	ISO 406 ISO 1101		PCMCIA
ltr	ecn no	dr	date	tolerances unless otherwise specified	
M				title	
				68P LONG HEADER TYPE I / II / III	
				GUIDE ASSY	
				scale	4
		dr	Mike Zhou	05/10/06	dwg no
		enr	Mike Zhou	05/10/06	
		chr	Mike Zhou	05/10/06	
		appd	Qin David	05/10/06	
sheet	revision				sheet 2of 2 size
index	sheet				92791 A 4
					type CUSTOMER Drawing

Mouser Electronics

Authorized Distributor

Click to View Pricing, Inventory, Delivery & Lifecycle Information:

[FCI / Amphenol:](#)

[92791-051LF](#) [92791-021](#) [92791-041](#) [92791-001LF](#) [92791-022](#) [92791-043](#) [92791-043LF](#) [92791-001](#) [92791-051](#)